

The Brecknell logo consists of a white stylized 'B' icon followed by the word 'Brecknell' in a white, sans-serif font, all contained within a blue oval with a slight gradient and shadow.

Brecknell

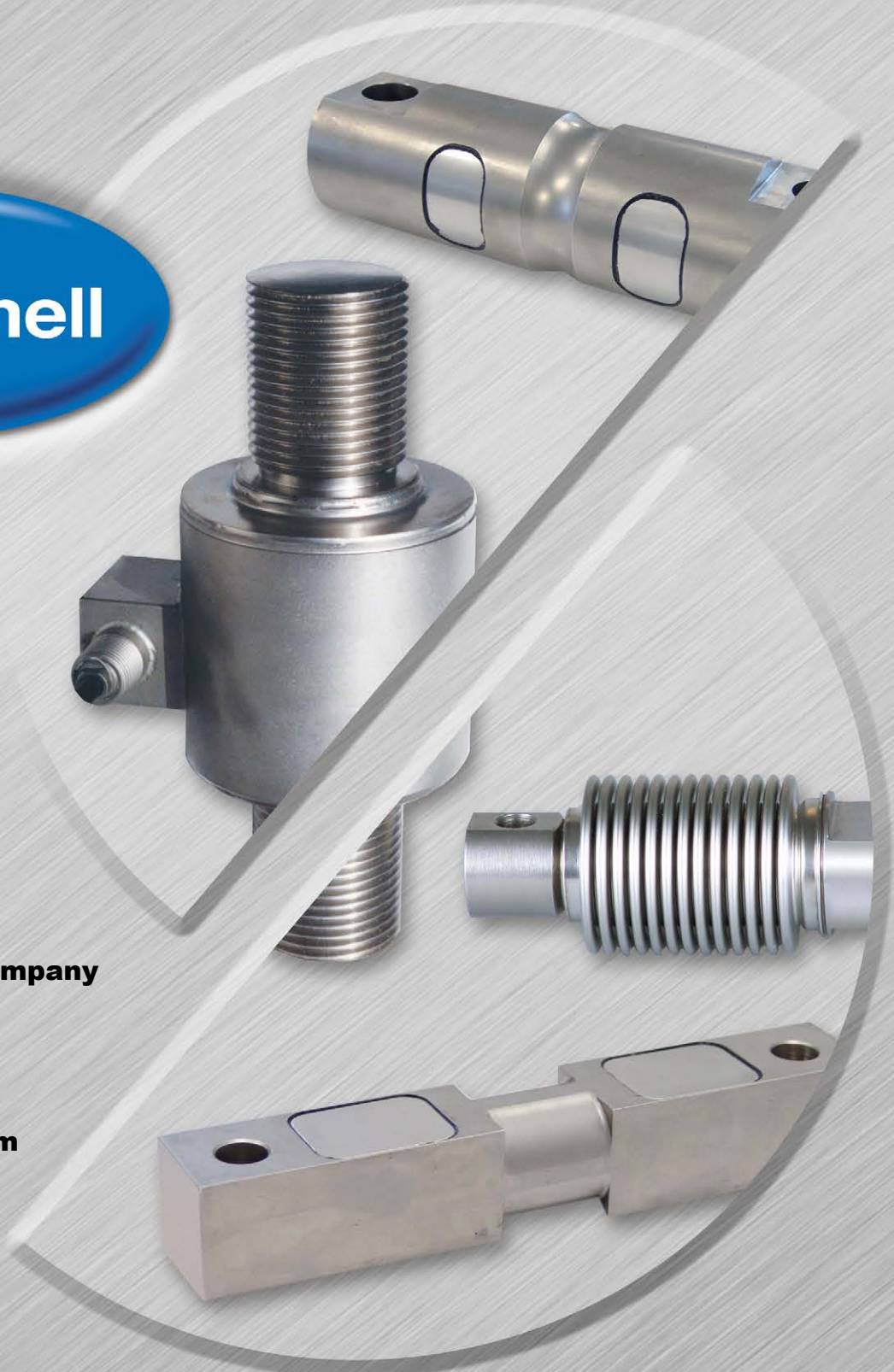
Standard Scale & Supply Company
25421 Glendale Avenue
Redford, MI 48239
313-255-6700 phone
313-255-6799 fax
dawright@standardscale.com
www.standardscale.com

A red circular logo with a white border containing the text 'VALUE IN WEIGHING' in white, uppercase, sans-serif font.

**VALUE IN
WEIGHING**

2015

LOAD CELL GUIDE





CONTACT INFORMATION

Standard Scale & Supply Company
25421 Glendale Avenue
Redford, MI 48239
313-255-6700 phone
313-255-6799 fax
dawright@standardscale.com
www.standardscale.com

Brecknell USA
1000 Armstrong Drive
Fairmont, Minnesota 56031

Brecknell UK
Foundry Lane
Smethwick, West Midlands England B66 2LP

Brecknell Canada
217 Brunswick Boulevard
Pointe-Claire, Quebec Canada H9R 4R7

Salter India Ltd.
Plot# 53, Sector- 25, (Avery India Compound)
Ballabgarh- 121 004, Faridabad,
Haryana (India)



COMPANY HISTORY

The Brecknell brand has always been associated with global weighing manufacturers and has been viewed in many different guises over the last century.

Charles W Brecknell and Co was founded in 1913 in Birmingham, England and was the first firm to manufacture visible weighers for the wholesale industry. The company continued to expand into the 1920s and was purchased by W & T Avery Limited in 1926.

The Salter brand has also played a part in Brecknell's history, and product was sold under the name Salter Brecknell for several years when Weigh Tronix and Avery Scales merged to form Avery Weigh-Tronix in 2003. The brand has since been re-branded as 'Brecknell' and continues to be sold under this name today.

Brecknell has grown to become a global leader in weighing solutions, designed and manufactured with focus on high-value, accurate scales, for ease of operation in every weighing application.

Brecknell products can be found in the majority of industries worldwide, from industrial weighing equipment, to office and medical scales. Brecknell's global presence ensures the highest quality of service and support to our customers.

Brecknell is part of Avery Weigh-Tronix, a world leading manufacturer of industrial scales, weighing equipment and measurement devices. With a long history dating back to the 1700s, Avery Weigh-Tronix is headquartered in Birmingham, England, and has manufacturing facilities in the UK, USA, Canada, China and India. Avery Weigh-Tronix is part of the fortune 150 Illinois Tool Works (ITW) family and sits within its Test and Measurement Division. ITW is a diversified manufacturer of advanced industrial technology and employs approximately 60,000 men and women across 825 decentralised business units.





Table of Contents - Numeric

Load Cells/Force Transducers

Canister

BM14A	8
BM14C	9
HM14C	10
BM14D	11

Compression Canister

BM14G	12
HM14H	13
BM14K	14

Compression Loading Ring Torsion

H2A	16
H2F	17
BM24R	18-19
H2D	20
HM2D4	21

Double Ended Shear Beams

B9B1	22
HM9B	23
B9C	24-25
B9D	26-27
H9D	28-29
H9C	30-31
HM9C	32

Double Ended Link Shear Beams

B9E	33
HM9E	34
B9F	35
B9H	36
H9H	37
B9N	38-39
H9N	40-41

Pressure Sensors

YA-6	42
YA-7	43

S Beam

BM3	44
L3V	45
H3	46-47
H3F	48-49
B3G	50-51
H3G	52-53

Shear Beam

HM8	54-55
HM8C	56
BM8D	58-59
H8Q	60
B8Q	61
H8C	62-63
B8D	64-65
H8H	66
BM8H	67

Shear Beams-Hermitically Sealed

HM11	68
BM11	69

Single Point

B6E3	70
B6Q	71
L6B	72
L6C	73
L6D	74-75
L6E	76
B6E	77
H6E	78
L6E3	79
L6F	80-81
B6F	82-83
H6F	84-85
L6G	86
B6G	87
H6G	88
H6G5	89
L6H5	90
L6J	91
L6J1	92
L6L	93
B6N	94
L6W	95
BM6A	96
BM6E	97
BM6G	98
2A	99
2C1	100
2F	101
S6400	102
FAB-47-Xg	103
1A	104
1B	105
1F6-S	106
1HM	107
1P Series	108
1R1-K	109
1V3-350	100
1X1	111
1Z	112
004-G	113
CF-1	114
Q45X10(8)X6-7.5G	115
Q45Z6Z6-7.5F	116
Q70X5X9-H	117
Q84X5XX12-05	118
DB-1	119
DB-2	120
L6N	122-123
L6Q	124
L6T	126-127

Weighing Modules

HM-2-401 / H2F	128
HM-8-401 / HM8	129
HM-8-402 / H8C	130
BM-8-404 / B8D	131
BM-8-406 / BM8H	132
HM-9-401 / H9C	133
BM-9-402 / B9C	134
HM-9-403 / H9D	135
BM-9-404 / B9D	136
BM-11-401 / BM11	137

Accessories

BM-8-411	138
BM-8-412	139
BM-11-402	140
HM-14-401	141
HM-14-403	142
HM-14-410	143
BM-14-414	144
HL-3-001	145
HL-3-002	145
HL-3-003	146
HL-3-004	146
HL-3-005	147
HJ-8-201	148
BJ-8-202	148
HJ-8-203	149
BJ-8-205	149
BJ-8-206	150
BJ-8-207	150
HJ-8-213	151
BJ-8-215	151
HJ-8-216	152
HJ-8-217	152
HJ-8-218	153
BJ-8-219	153
BJ-8-220	154
HD-8-301	154
HY-8-101	155
HY-8-102	155
BY-8-104	156
BY-8-106	156
BY-14-101	157
BY-14-102	158
BY-14-103	159
HY-14-104	159
BY-14-105	160
BY-14-106	160
BY-14-108	161
BY-14-109	162
BY-14-117	163

Junction Box

JB01	164
JB02	165
JB05A	166
JB06	167
JB07	168

Transmitters

FD-3	170
FD-4	171
FD-5	172

Weigh Pads

L15B	178
L15BA	175
L15C	176
L15K	177



Table of Contents - Alpha

Load Cells/Force Transducers

004-G	113
1A	104
1B	105
1F6-S	106
1HM	107
1P Series	108
1R1-K	109
1V3-350	110
1X1	111
1Z	112
2A	99
2C1	100
2F	101
B3G	50-51
B6E	77
B6E3	70
B6F	82-83
B6G	87
B6N	94
B6Q	71
B8D	64-65
B8Q	61
B9B1	22
B9C	24-25
B9D	26-27
B9E	33
B9F	35
B9H	36
B9N	38-39
BM11	69
BM14A	8
BM14C	9
BM14D	11
BM14G	12
BM14K	14
BM24R	18-19
BM3	44
BM6A	96
BM6E	97
BM6G	98
BM8D	58-59
BM8H	67
CF-1	114
DB-1	119
DB-2	120
FAB-47-Xg	103
H2A	16
H2D	20
H2F	17
H3	46-47
H3F	48-49
H3G	52-53
H6E	78
H6F	84-85
H6G	88
H6G5	89
H8C	63-63
H8H	66
H8Q	60
H9C	30-31
H9D	28-29
H9H	37
H9N	40-41
HM11	68

HM14C	10
HM14H	13
HM2D4	21
HM8	54-55
HM8C	56
HM9B	23
HM9C	32
HM9E	34
L3V	45
L6B	72
L6C	73
L6D	74-75
L6E	76
L6E3	79
L6F	80-81
L6G	86
L6H5	90
L6J	91
L6J1	92
L6L	93
L6N	122-123
L6Q	124
L6T	126-127
L6W	95
Q45X10(8)X6-7.5G	114
Q45Z6Z6-7.5F	116
Q70X5X9-H	117
Q84X5XX12-05	118
S6400	102
YA-6	42
YA-7	43

Weighing Modules

BM-11-401 / BM11	137
BM-8-404 / B8D	131
BM-8-406 / BM8H	132
BM-9-402 / B9C	134
BM-9-404 / B9D	136
HM-2-401 / H2F	128
HM-8-401 / HM8	129
HM-8-402 / H8C	130
HM-9-401 / H9C	133
HM-9-403 / H9D	135

Accessories

BJ-8-202	148
BJ-8-205	149
BJ-8-206	150
BJ-8-207	150
BJ-8-215	151
BJ-8-219	153
BJ-8-220	154
BM-11-402	140
BM-14-414	144
BM-8-411	138
BM-8-412	139
BY-14-101	157
BY-14-102	158
BY-14-103	159
BY-14-105	160
BY-14-106	160
BY-14-108	161
BY-14-109	162
BY-14-117	163
BY-8-104	156
BY-8-106	156
HD-8-301	154
HJ-8-201	148
HJ-8-203	149
HJ-8-213	151
HJ-8-216	152
HJ-8-217	152
HJ-8-218	153
HL-3-001	145
HL-3-002	145
HL-3-003	146
HL-3-004	146
HL-3-005	147
HM-14-401	141
HM-14-403	142
HM-14-410	143
HY-14-104	159
HY-8-101	155
HY-8-102	155

Junction Box

JB01	164
JB02	165
JB05A	166
JB06	167
JB07	168

Transmitters

FD-3	170
FD-4	171
FD-5	172

Weigh Pads

L15B	174
L15BA	175
L15C	176
L15K	177



BM14A

- BM14A load cells are available in the capacities 10t~100t, 25Klb~200Klb
- Stainless steel construction, hermetically welded, oil proof, waterproof, anti-corrosive gas and medium sized. Lightning protected in all kinds of environments.
- Column structure, good self-aligning ability, suitable for electronic platform scales, automobile testing facilities, hopper scales and other electronic weighing devices

Features

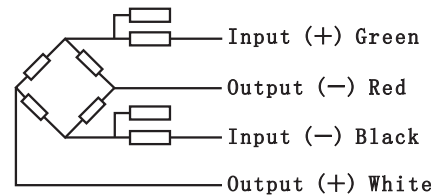
- Capacities: 10t~100t; 25Klb~200Klb
- High accuracy
- Easy installation and reliable performance
- Stainless steel construction
- Four column construction
- PTB Approval No.: D09-07.01

Accessories

- BY-14-101



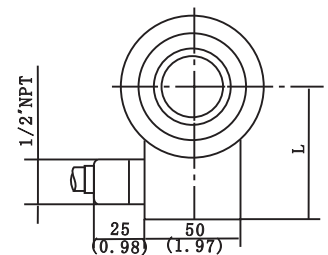
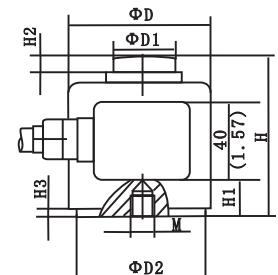
Specifications			
Capacity	t	10/25/40/60/100	
	Klb	25/50/100/200	
Accuracy		C3	N10 Equivalent
Approvals		OIML R60 C3	
Maximum Number of Verification Intervals	Nmax	3000	10000
Minimum Load Cell Verification Intervals	Vmin	Emax/10000	Emax/10000
Combined Error	(%FS)	±0.020	±0.020
Creep	(%FS/30min)	±0.016	±0.020
Temperature Effect on Sensitivity	(%FS/10°C)	±0.011	±0.014
Temperature Effect on Zero	(%FS/10°C)	±0.015	±0.017
Output Sensitivity	(mV/V)	2.0±0.002	
Input Resistance	(Ω)	450±4.5	
Output Resistance	(Ω)	480±4.8	
Insulation Resistance	(MΩ)	≥5000 (50VDC)	
Zero Balance	(%FS)	1.0	
Temperature, Compensated	(°C)	-10~+40	
Temperature, Operating	(°C)	-35~+70	
Excitation, Recommended	(V)	5~12 (DC)	
Excitation, Max	(V)	18 (DC)	
Safe Overload	(%FS)	150	
Ultimate Overload	(%FS)	300	



Wiring:

Shielded 4 conductor cable: φ7.5mm
Standard Cable Length: 10t: 10m;
25t~100t: 20m

Outline Dimensions mm (inch)						
Dimension	10t, 25t	40t, 60t	100t	25Klb, 50Klb	100Klb	200Klb
Capacity						
D	73 (2.87)	105 (4.13)	151.4 (6.0)	73 (2.87)	105 (4.13)	151.4 (6.0)
D1	31.8 (1.25)	58.7 (2.31)	79.4 (3.13)	31.8 (1.25)	58.7 (2.31)	79.4 (3.13)
D2	58 (2.28)	82.5 (3.25)	123.8 (4.87)	58 (2.28)	82.5 (3.25)	123.8 (4.87)
H	82.5 (3.25)	127 (5.0)	184.2 (7.25)	82.5 (3.25)	127 (5.0)	184.2 (7.25)
H1	38.23 (1.5)	65.07 (2.56)	87.35 (3.44)	38.23 (1.5)	65.07 (2.56)	87.35 (3.44)
H2	7.75 (0.31)	9.4 (0.37)	23.15 (0.91)	7.75 (0.31)	9.4 (0.37)	23.15 (0.91)
H3	2.6 (0.10)	4 (0.16)	3.7 (0.15)	2.6 (0.10)	4 (0.16)	3.7 (0.15)
L	64 (2.52)	87 (3.43)	108.2 (4.26)	64 (2.52)	87 (3.43)	108.2 (4.26)
M	M12X1.75	M20x2.5	M20x2.5	1/2-20UNF	3/4-16UNF	3/4-16UNF



Part Number	Capacity	Ship Weight	Price
BM14A-C3-10t	10T stainless column type	7 lb	\$765
BM14A-C3-25t	25T stainless column type	9 lb	\$765
BM14A-C3-40t	40T stainless column type	18 lb	\$1015
BM14A-C3-60t	60T stainless column type	18 lb	\$1015
BM14A-C3-100t	100T stainless column type	37 lb	\$1,750
BM14A-N10-25K	25K stainless column type	7 lb	\$765
BM14A-N10-50K	50K stainless column type	9 lb	\$765
BM14A-N10-100K	100K stainless column type	18 lb	\$1015
BM14A-N10-200K	200K stainless column type	37 lb	\$1,750

Compatible Products	
Manufacturer	Model
Revere	CAP
Sensortronics	65088-1000
Coti	CP26S5
Artech	90310
Rice Lake	RLCSP1
Totalcomp	TCSP1



BM14C

- BM14C load cells are available in the capacities 10t~50t
- Stainless steel construction, hermetically welded, oil proof, waterproof, anti-corrosive gas and medium sized making. Lightning protected in all kinds of environments.
- Column structure, anti-reversal design, good self-aligning ability, suitable for electronic platform scales, automobile testing facilities, hopper scales and other electronic weighing devices
- Safe and anti-explosive product, can be used in atrocious environments and hazardous areas

Features

- Capacities: 10t~50t
- High accuracy
- Stainless steel construction
- Easy installation and reliable performance
- PTB Approval No.: D09-07.03 Revision 1

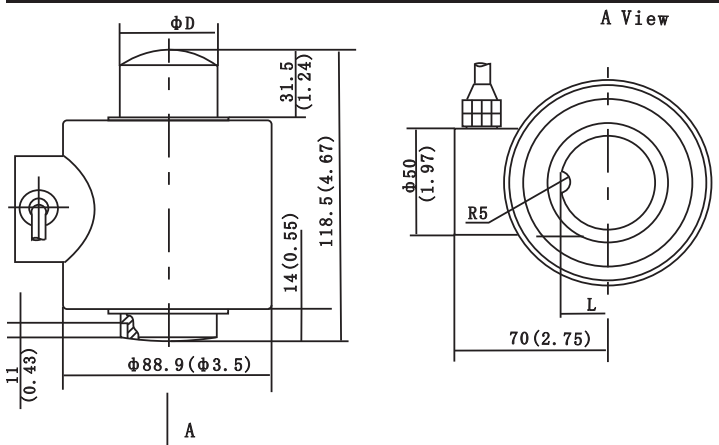
Accessories

- BM-14-407
- BM-14-408
- BM-14-414
- HM-14-401
- HM-14-403
- HM-14-416

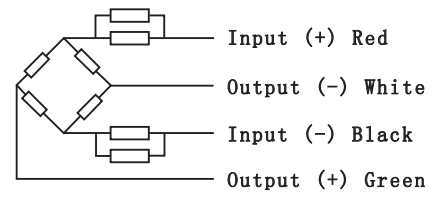


Canister

Specifications		
Capacity	t	10/20/25/30/40/50
Accuracy		C3
Approvals		OIML R60 C3
Maximum Number of Verification Intervals	Nmax	3000
Minimum Load Cell Verification Intervals	Vmin	Emax/10000
Combined Error	(%FS)	≤±0.020
Creep	(%FS/30min)	≤±0.016
Temperature Effect on Sensitivity	(%FS/10°C)	≤±0.011
Temperature Effect on Zero	(%FS/10°C)	≤±0.015
Output Sensitivity	(mV/V)	2.0±0.002
Input Resistance	(Ω)	700±7
Output Resistance	(Ω)	703±4
Insulation Resistance	(MΩ)	≥5000 (50VDC)
Zero Balance	(%FS)	1.0
Temperature, Compensated	(°C)	-10~+40
Temperature, Operating	(°C)	-35~+70
Excitation, Recommended	(V)	5~12 (DC)
Excitation, Max	(V)	18 (DC)
Safe Overload	(%FS)	150
Ultimate Overload	(%FS)	300



Outline Dimensions mm (inch)		
Dimension	D	L
Capacity (kg)		
0.5t~30t	40 (1.57)	22 (0.87)
40t, 50t	50 (1.97)	27 (1.06)



Wiring:
Shielded 4 conductor cable: φ5mm
Standard Length: 15m and 18m

Part Number	Capacity	Ship Weight	Price
BM14C-C3-10t	10T stainless column type	13 lb	\$560
BM14C-C3-20t	20T stainless column type	13 lb	\$560
BM14C-C3-25t	25T stainless column type	13 lb	\$560
BM14C-C3-30t	30T stainless column type	13 lb	\$560
BM14C-C3-40t	40T stainless column type	13 lb	\$560
BM14C-C3-50t	50T stainless column type	13 lb	\$560



HM14C

- HM14C load cells are available in the capacities 10t~50t
- Alloy steel construction, hermetically welded, oil proof, waterproof, anti-corrosive gas and medium sized. Lightning protected in all kinds of environments.
- Column structure, anti-reversal design, good self-aligning ability, suitable for electronic platform scales, automobile testing facilities, hopper scales and other electronic weighing devices

Features

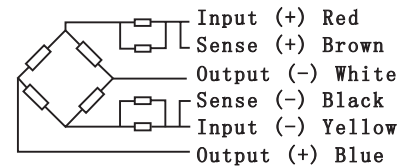
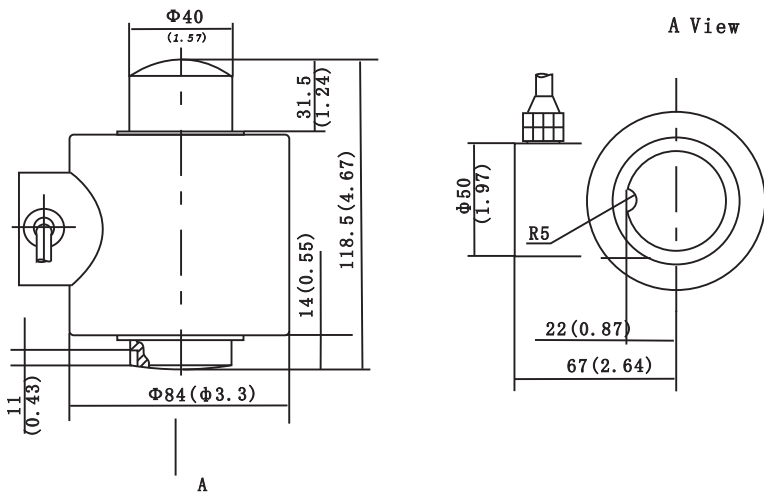
- Capacities: 10t~50t
- High accuracy
- Alloy steel construction
- Easy installation and reliable performance

Accessories

- BM-14-407
- BM-14-408
- HM-14-401
- HM-14-403



Specifications		
Capacity	t	10/20/25/30/40/50
Accuracy		C3 Equivalent
Maximum Number of Verification Intervals	Nmax	3000
Minimum Load Cell Verification Intervals	Vmin	Emax/10000
Combined Error	(%FS)	±0.020
Creep	(%FS/30min)	±0.016
Temperature Effect on Sensitivity	(%FS/10°C)	±0.011
Temperature Effect on Zero	(%FS/10°C)	±0.015
Output Sensitivity	(mV/V)	2.0±0.004
Input Resistance	(Ω)	700±7
Output Resistance	(Ω)	703±4
Insulation Resistance	(MΩ)	≥5000 (50VDC)
Zero Balance	(%FS)	1.0
Temperature, Compensated	(°C)	-10~+40
Temperature, Operating	(°C)	-35~+70
Excitation, Recommended	(V)	5~12 (DC)
Excitation, Max	(V)	18 (DC)
Safe Overload	(%FS)	150
Ultimate Overload	(%FS)	300



Wiring:

Shielded 6 conductor cable: φ6.3mm
Standard Cable Length: 13m

Part Number	Capacity	Ship Weight	Price
HM14C-C3-10t	10T alloy column type	11 lb	\$520
HM14C-C3-20t	20T alloy column type	11 lb	\$520
HM14C-C3-30t	30T alloy column type	11 lb	\$520
HM14C-C3-40t	40T alloy column type	11 lb	\$520
HM14C-C3-50t	50T alloy column type	11 lb	\$550



BM14D

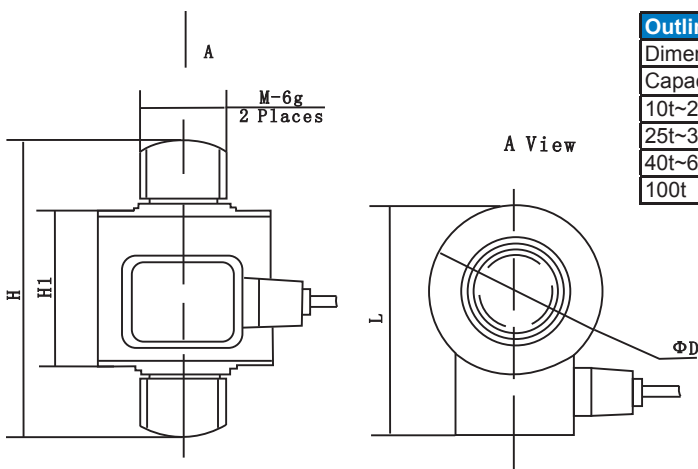
- BM14D load cells are available in the capacities 10t~100t
- Stainless steel construction, hermetically welded, oil proof, waterproof, anti-corrosive gas and medium sized. Lightning protected in all kinds of environments.
- Column structure, anti-reversal design, good self-aligning ability, suitable for electronic platform scales, automobile testing facilities, hopper scales and other electronic weighing devices and force measuring fields

Features

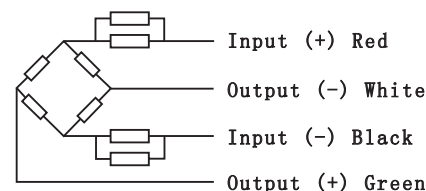
- Capacities: 10t~100t
- High accuracy
- Stainless steel construction
- Easy installation and reliable performance



Specifications		
Capacity	t	10/20/25/30/40/50/100
Accuracy		C2 Equivalent
Maximum Number of Verification Intervals	Nmax	2000
Minimum Load Cell Verification Intervals	Vmin	Emax/5000
Combined Error	(%FS)	±0.030
Creep	(%FS/30min)	±0.024
Temperature Effect on Sensitivity	(%FS/10°C)	±0.017
Temperature Effect on Zero	(%FS/10°C)	±0.023
Output Sensitivity	(mV/V)	1.5±0.003
Input Resistance	(Ω)	700±7
Output Resistance	(Ω)	703±4
Insulation Resistance	(MΩ)	≥5000 (50VDC)
Zero Balance	(%FS)	1.0
Temperature, Compensated	(°C)	-10~+40
Temperature, Operating	(°C)	-35~+70
Excitation, Recommended	(V)	5~12 (DC)
Excitation, Max	(V)	18 (DC)
Safe Overload	(%FS)	150
Ultimate Overload	(%FS)	300



Outline Dimensions mm (inch)					
Dimension	H	H1	D	L	M
Capacity					
10t~20t	180 (7.08)	69.3 (2.73)	73 (2.87)	99.7 (3.92)	M36x3
25t~30t	200 (7.87)	70 (2.75)	88.9 (3.5)	115.6 (4.55)	M42x3
40t~60t	250 (9.84)	99.3 (3.91)	105 (4.13)	138.3 (5.44)	M56x4
100t	350 (13.7)	131.9 (5.19)	152.4 (4.93)	183.9 (7.14)	M76x4



Wiring:

Shielded 4 conductor cable: φ5mm
Standard Cable Length: 13m

Part Number	Capacity	Ship Weight	Price
BM14D-C2-10t	10T stainless column type	9 lb	\$1,915
BM14D-C2-20t	20T stainless column type	9 lb	\$1,915
BM14D-C2-25t	25T stainless column type	11 lb	\$2,485
BM14D-C2-30t	30T stainless column type	11 lb	\$2,485
BM14D-C2-40t	40T stainless column type	20 lb	\$3,460
BM14D-C2-50t	50T stainless column type	22 lb	\$3,460
BM14D-C2-100t	100T stainless column type	46 lb	\$5,650



BM14G

- BM14G load cells are available in the capacities 10t~50t
- Stainless steel construction, hermetically welded, oil proof, waterproof, anti-corrosive gas and medium sized. Lightning protected in all kinds of environments.
- Column structure, anti-reversal design, good self-aligning ability, suitable for electronic platform scales, automobile testing facilities, hopper scales and other electronic weighing devices

Features

- Capacities: 10t~50t
- High accuracy
- Stainless steel construction
- Easy installation and reliable performance
- PTB Approval No.: D09-05.21 Revision 1
- NTEP Cert. No.: CC10-087

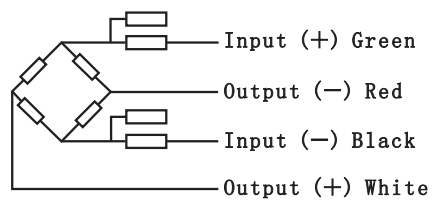
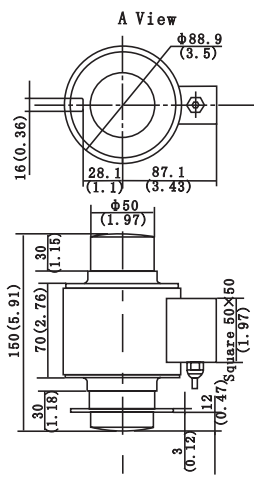
Accessories

- BY-14-105
- BY-14-106
- BY-14-108



Compression Canister

Specifications		
Capacity	t	10/20/30/40/50
Accuracy		C3
Approvals		OIML R60 C3
Maximum Number of Verification Intervals	Nmax	3000
Minimum Load Cell Verification Intervals	Vmin	Emax/10000
Combined Error	(%FS)	±0.020
Creep	(%FS/30min)	±0.016
Temperature Effect on Sensitivity	(%FS/10°C)	±0.011
Temperature Effect on Zero	(%FS/10°C)	±0.015
Output Sensitivity	(mV/V)	2.0±0.02
Input Resistance	(Ω)	700±7
Output Resistance	(Ω)	703±4
Insulation Resistance	(MΩ)	≥5000 (50VDC)
Zero Balance	(%FS)	1.0
Temperature, Compensated	(°C)	-10~+40
Temperature, Operating	(°C)	-35~+70
Excitation, Recommended	(V)	5~12 (DC)
Excitation, Max	(V)	18 (DC)
Safe Overload	(%FS)	150
Ultimate Overload	(%FS)	300



Wiring:
Shielded 4 conductor cable: φ5mm
Standard Cable Length

- Note:
- BM14G-XX-XX-XB type is not suitable for the following countries: UK, France, Germany, Italy, The Netherlands
 - Users can choose different structures of BM14G products, or contact Brecknell sales representatives for further products information.

Part Number	Capacity	Ship Weight	Price
BM14G-C3-10t	10T stainless column type	9 lb	\$605
BM14G-C3-20t	20T stainless column type	9 lb	\$605
BM14G-C3-30t	30T stainless column type	9 lb	\$605
BM14G-C3-40t	40T stainless column type	9 lb	\$605
BM14G-C3-50t	50T stainless column type	9 lb	\$605

Compatible Products	
Manufacturer	Model
Reverse	ASC



HM14H

- HM14H load cells are available in the capacities 10t~30t
- Alloy steel construction, hermetically welded, oil proof, waterproof, anti-corrosive gas and medium sized. Lightning protected in all kinds of environments.
- Column structure, anti-reversal design, good self-aligning ability, suitable for electronic platform scales, automobile testing facilities, hopper scales and other electronic weighing devices

Features

- Capacities: 10t~30t
- High accuracy
- Alloy steel construction
- Easy installation and reliable performance

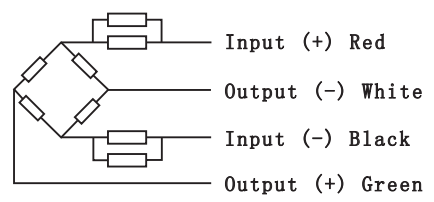
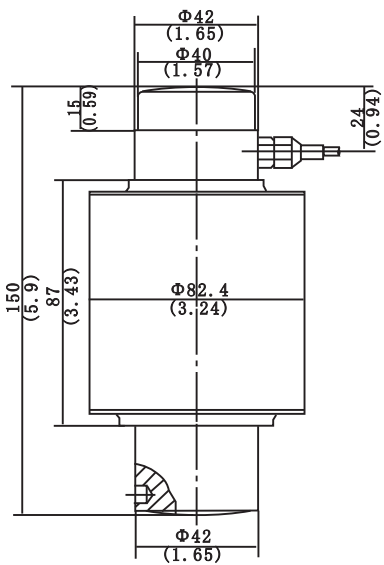
Accessories

- HM-14-410



Specifications		
Capacity	t	10/20/30
Accuracy		C3 Equivalent
Maximum Number of Verification Intervals	Nmax	3000
Minimum Load Cell Verification Intervals	Vmin	E _{max} /10000
Combined Error	(%FS)	≤±0.020
Creep	(%FS/30min)	≤±0.016
Temperature Effect on Sensitivity	(%FS/10°C)	≤±0.011
Temperature Effect on Zero	(%FS/10°C)	≤±0.015
Output Sensitivity	(mV/V)	2.0±0.002
Input Resistance	(Ω)	700±7
Output Resistance	(Ω)	703±4
Insulation Resistance	(MΩ)	≥5000 (50VDC)
Zero Balance	(%FS)	1.0
Temperature, Compensated	(°C)	-10~+40
Temperature, Operating	(°C)	-35~+70
Excitation, Recommended	(V)	5~12 (DC)
Excitation, Max	(V)	18 (DC)
Safe Overload	(%FS)	150
Ultimate Overload	(%FS)	300

10t, 20t, 30t



Wiring:

Shielded 4 conductor cable: φ5mm
Standard Cable Length: 12m

Part Number	Capacity	Ship Weight	Price
HM14H-C3-10T	10T alloy steel column type	4 kg / 10 lb	\$665
HM14H-C3-20T	20T alloy steel column type	4 kg / 10 lb	\$665
HM14H-C3-30T	30T alloy steel column type	4 kg / 10 lb	\$665

Compression Canister



BM14K

- BM14K load cells are available in the capacities 10t~100t
- Stainless steel construction, hermetically welded, oil proof, waterproof, anti-corrosive gas and medium sized. Lightning protected in all kinds of environments.
- Column structure, anti-reversal design, good self-aligning ability, suitable for electronic platform scales, automobile testing facilities, hopper scales and other electronic weighing devices

Features

- Capacities: 10t~100t
- High accuracy
- Stainless steel construction
- Easy installation and reliable performance
- PTB Approval No.: D09-07.02
- NTEP Cert. No.: CC10-087

Accessories

- BY-14-102
- BY-14-109



Compression Canister

Specifications		
Capacity	t	10/15/20/30/40/50/60/100
Accuracy		C3
Approvals		OIML R60 C3
Maximum Number of Verification Intervals	Nmax	3000
Minimum Load Cell Verification Intervals	Vmin	E _{max} /10000
Combined Error	(%FS)	±0.020
Creep	(%FS/30min)	±0.016
Temperature Effect on Sensitivity	(%FS/10°C)	±0.011
Temperature Effect on Zero	(%FS/10°C)	±0.015
Output Sensitivity	(mV/V)	2.0±0.02
Input Resistance	(Ω)	700±7
Output Resistance	(Ω)	703±4
Insulation Resistance	(MΩ)	≥5000 (50VDC)
Zero Balance	(%FS)	1.0
Temperature, Compensated	(°C)	-10~+40
Temperature, Operating	(°C)	-35~+70
Excitation, Recommended	(V)	5~12 (DC)
Excitation, Max	(V)	18 (DC)
Safe Overload	(%FS)	150
Ultimate Overload	(%FS)	300

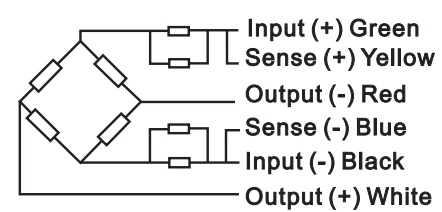
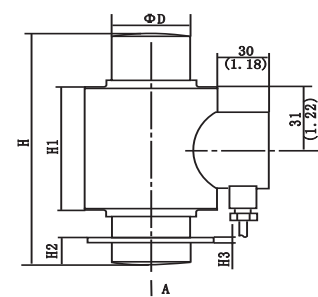
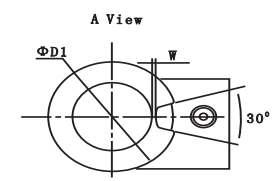
Outline Dimensions mm (inch)						
Dimension	H	H1	H2	H3	D	D1
Capacity						
10t, 15t	130 (5.12)	80 (3.46)	12 (0.47)	3 (0.12)	44 (1.73)	74 (2.91)
20t~40t	150 (5.91)	92 (3.62)	19 (0.75)	5 (0.2)	44 (1.73)	74 (2.91)
50t, 60t	210 (8.27)	92 (3.62)	19 (0.75)	5 (0.2)	44 (1.73)	74 (2.91)
100t	260 (10.24)	121 (4.76)	19 (0.75)	5 (0.2)	64 (2.52)	93 (3.66)

Part Number	Capacity	Ship Weight	Price
BM14K-C3-10t	10T stainless column type	11 lb	\$810
BM14K-C3-15t	15T stainless column type	11 lb	\$810
BM14K-C3-20t	20T stainless column type	11 lb	\$850
BM14K-C3-30t	30T stainless column type	11 lb	\$850
BM14K-C3-40t	40T stainless column type	11 lb	\$890
BM14K-C3-50t	50T stainless column type	11 lb	\$970
BM14K-C3-60t	60T stainless column type	15 lb	\$970
BM14K-C3-100t	100T stainless column type	22 lb	\$1,450

Compatible Products	
Manufacturer	Model
HBM	C16
Coti	CP26S4

Note:

- BM14K-XX-XX-XB type is not suitable for the following countries: UK, France, Germany, Italy, The Netherlands
- Users can choose different structures of BM14K products, or contact Brecknell sales representatives for further product information



Wiring:
Shielded 6 conductor cable: φ5.0mm
Standard Cable Length: 10t~20t: 12m; 40t~100t: 20m



Notes



H2A

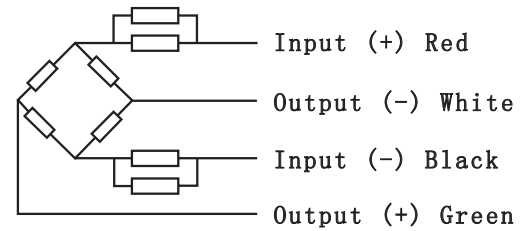
- H2A load cells are available in the manifold accurate measurement in the capacities 1MN to 5MN
- Alloy steel, surface bluing treatment, spray painted, oil-proof, waterproof and anti-corrosion, suitable for ground sill measuring and other engineering measuring fields
- Spoke type, easy installation, suitable for special force measuring equipment
- Safety and anti-explosive product, can be used in atrocious environments and hazardous areas



Features

- Capacities: 1MN~5MN
- Alloy steel construction
- High reliability and long life span

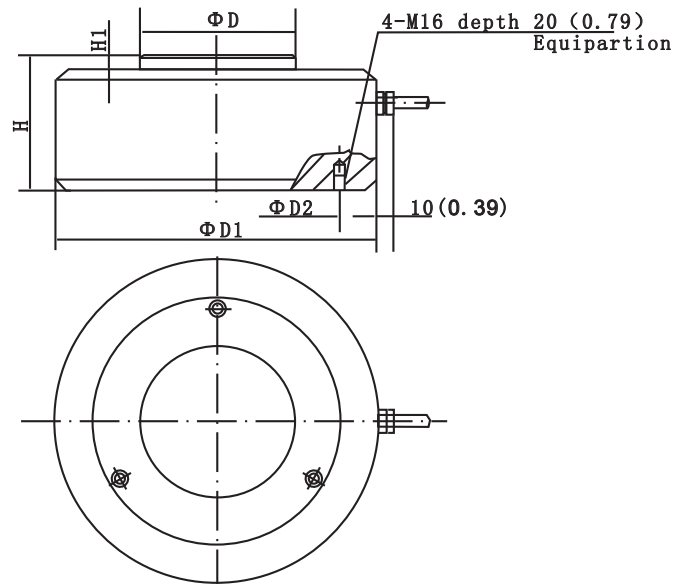
Specifications			
Capacity	MN	1/2/3/4/5	
Accuracy		G2	G3
Combined Error	(%FS)	0.2%	0.3%
Creep	(%FS/30min)	0.05%	0.05%
Temperature Effect on Sensitivity	(%FS/10°C)	0.1%	0.2%
Temperature Effect on Zero	(%FS/10°C)	0.1%	0.2%
Output Sensitivity	(mV/V)	≥2.0	
Input Resistance	(Ω)	1072±5	
Output Resistance	(Ω)	1050±5	
Insulation Resistance	(MΩ)	≥5000 (50VDC)	
Zero Balance	(%FS)	1.0	
Temperature, Compensated	(°C)	-10~+40	
Temperature, Operating	(°C)	-35~+70	
Excitation, Recommended	(V)	5~12 (DC)	
Excitation, Max	(V)	18 (DC)	
Safe Overload	(%FS)	150	
Ultimate Overload	(%FS)	300	



Wiring:

Shielded 4 conductor cable: Φ5mm
Standard Cable Length: 5m

Outline Dimensions mm (inch)					
Capacity (MN)	1	2	3	4	5
Dimension					
D	41 (1.61)	60 (2.36)	73 (2.87)	92 (3.62)	115 (4.53)
D1	260 (10.24)	290 (11.42)	330 (12.99)	400 (15.75)	400 (15.75)
D2	200 (7.87)	225 (8.86)	251 (9.88)	296 (11.65)	307 (12.09)
H	80 (3.15)	104 (4.09)	123 (4.84)	132 (5.20)	132 (5.20)
H1	10 (0.39)	10 (0.39)	10 (0.39)	10 (0.39)	10 (0.39)



Part Number	Capacity	Ship Weight	Price
H2A-G2-1MN-5T	1MN alloy steel spoke	77 lb	\$3,300
H2A-G2-2MN-5T	2MN alloy steel spoke	88 lb	\$4,120
H2A-G2-3MN-5T	3MN alloy steel spoke	101 lb	\$4,940
H2A-G2-4MN-5T	4MN alloy steel spoke	121 lb	\$5,755
H2A-G2-5MN-5T	5MN alloy steel spoke	121 lb	\$6,565



H2F

- H2F load cells are available for manifold accurate measurement in the capacities 1t~50t
- Alloy steel, potted with adhesive inside, oil-proof, waterproof and anti-corrosion, suitable for all kinds of environments
- Spoke type, easy installation, suitable for electronic truck scales, hopper scales and other electronic weighing devices
- Safe and anti-explosive product, can be used in atrocious environments and hazardous areas



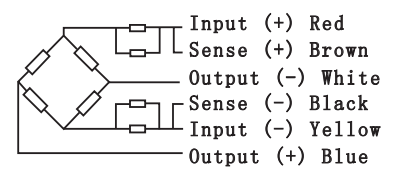
Features

- Capacities: 1t~50t
- Alloy steel construction
- High accuracy

Accessory

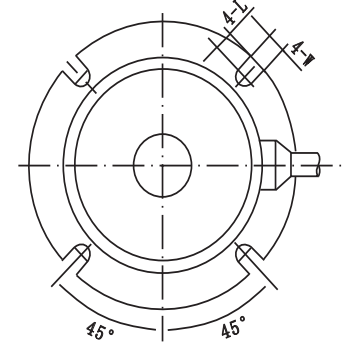
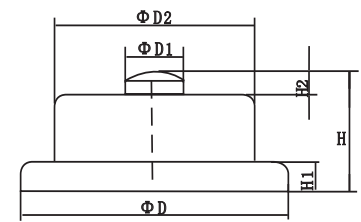
- BM-2-402
- HM-2-401

Specifications			
Capacity	t	1/2/3/5/10/15/20/30/50	
Accuracy		C1	C2
Maximum Number of Verification Intervals	Nmax	1000	2000
Minimum Load Cell Verification Intervals	Vmin	Emax/3000	Emax/5000
Combined Error	(%FS)	≤±0.050	≤±0.030
Creep	(%FS/30min)	≤±0.038	≤±0.023
Temperature Effect on Sensitivity	(%FS/10°C)	≤±0.028	≤±0.017
Temperature Effect on Zero	(%FS/10°C)	≤±0.047	≤±0.029
Output Sensitivity	(mV/V)	2.0±0.01	
Input Resistance	(Ω)	770±30	
Output Resistance	(Ω)	700±5	
Insulation Resistance	(MΩ)	≥5000 (50VDC)	
Zero Balance	(%FS)	1.5	
Temperature, Compensated	(°C)	-10~+40	
Temperature, Operating	(°C)	-35~+70	
Excitation, Recommended	(V)	5~12 (DC)	
Excitation, Max	(V)	18 (DC)	
Safe Overload	(%FS)	150	
Ultimate Overload	(%FS)	300	



Wiring:

Shielded 6 conductor cable: Φ6mm
Standard Cable Length: 3m (1~3t), 4m (5~10t), 15m (15~50t)



Outline Dimensions mm (inch)								
Dimension (mm)	D	D1	D2	H	H1	H2	L	W
Capacity (t)								
1	115 (4.53)	22 (0.87)	86 (3.39)	43 (1.69)	12 (0.47)	5 (0.2)	8 (0.31)	8.4 (0.33)
2	120 (4.72)	26 (1.02)	90 (3.54)	45 (1.77)	12 (0.47)	5 (0.2)	8 (0.31)	8.4 (0.33)
3	128 (5.04)	20 (0.79)	100 (3.94)	46 (1.81)	8 (0.31)	5 (0.2)	7 (0.28)	10.4 (0.41)
5	128 (5.04)	20 (0.79)	100 (3.94)	46 (1.81)	8 (0.31)	5 (0.2)	7 (0.28)	10.4 (0.41)
10	160 (6.3)	40 (1.57)	120 (4.72)	63 (2.48)	15 (0.59)	10 (0.39)	10 (0.39)	10.4 (0.41)
15	194 (7.64)	42 (1.65)	154 (6.06)	68 (2.68)	20 (0.79)	10 (0.39)	12 (0.47)	12.4 (0.49)
20	220 (8.66)	44 (1.73)	170 (6.69)	73 (2.87)	22 (0.87)	10 (0.39)	12 (0.47)	12.4 (0.49)
30	230 (9.06)	48 (1.89)	188 (7.4)	78 (3.07)	25 (0.98)	10 (0.39)	12 (0.47)	12.4 (0.49)
50	264 (10.39)	52 (2.05)	214 (8.43)	90 (3.54)	30 (1.18)	10 (0.39)	12 (0.47)	12.4 (0.49)

Part Number	Capacity	Ship Weight	Price
H2F-C1-1.0t-3T6	1T alloy spoke	4 lb	\$485
H2F-C1-2.0t-3T6	2T alloy spoke	4 lb	\$485
H2F-C1-3.0t-3T6	3T alloy spoke	7 lb	\$485
H2F-C1-5.0t-3T6	5T alloy spoke	7 lb	\$485
H2F-C1-10t-3T6	10T alloy spoke	18 lb	\$685
H2F-C1-15t-3T6	15T alloy spoke	20 lb	\$850
H2F-C1-20t-3T6	20T alloy spoke	29 lb	\$1,105
H2F-C1-30t-3T6	30T alloy spoke	33 lb	\$1,340
H2F-C1-50t-3T6	50T alloy spoke	53 lb	\$1,505
H2F-C2-1.0t-3T6	1T alloy spoke	4 lb	\$485
H2F-C2-2.0t-3T6	2T alloy spoke	4 lb	\$485
H2F-C2-3.0t-3T6	3T alloy spoke	7 lb	\$485
H2F-C2-5t-3T6	5T alloy spoke	7 lb	\$485
H2F-C2-10t-3T6	10T alloy spoke	18 lb	\$685
H2F-C2-15t-3T6	15T alloy spoke	20 lb	\$850
H2F-C2-20t-3T6	20T alloy spoke	29 lb	\$1,105
H2F-C2-30t-3T6	30T alloy spoke	33 lb	\$1,340
H2F-C2-50T-3T6	50T alloy spoke	53 lb	\$1,505

Compression Loading Ring Torision



BM24R

- BM24R applied a ring type, suitable for all kinds of platform scales and dynamic weighing systems
- Stainless steel, hermetically sealed IP68, low profile load cell for all kinds of hazardous applications

Features

- Capacities: 60kg~60t
- OIML Cert. No.: R60/2000-NL-11.21
- High accuracy
- NTEP Cert. No.: CC11-103A1

BM24R 60kg-280kg BM24R 250kg-13t BM24R 28t-60t
 Accessory: BJ-24-202 BJ-24-203 BJ-24-204 BJ-24-205
 BM-24-401 BM-24-402 BM-24-403

Specifications						
Capacity		60kg / 130kg / 250kg / 280kg / 500kg / 1t / 2t / 3.5t / 5t / 10t / 13t / 28t / 60t				
Accuracy	(%FS)	C3				
Maximum Number of Verification Intervals	Nmax	3000				
Minimum Load Cell Verification Intervals	Vmin	Emax/10000				
Combined Error	(%FS)	≤±0.0230				
Creep	(%FS/30min)	≤±0.0245				
Temperature Effect on Sensitivity	(%FS/10°C)	≤±0.0117				
Temperature Effect on Zero	(%FS/10°C)	≤±0.0140				
Output Sensitivity	(mV/V)	60kg / 130kg / 280kg	250kg		500kg~60t	
		1.0±0.1	1.75±0.1		2.0±0.1	
Input Resistance	(Ω)	60kg / 130kg / 280kg	250kg / 500kg~10t	13t	28t	60t
		1260±100	1100±100	1200±100	1075±100	1350±100
Output Resistance	(Ω)	60kg / 130kg / 280kg	250kg / 500kg~10t	13t	28t	60t
		1020±0.5	1025±25	1000±0.5	930±0.5	1175±0.5
Insulation Resistance	(MΩ)	≥5000 (50VDC)				
Zero Balance	(%FS)	1.0				
Temperature, Compensated	(°C)	-10~+40				
Temperature, Operating	(°C)	-30~+70				
Excitation, Recommended	(V)	5~12 (DC)				
Excitation, Max	(V)	15 (DC)				
Safe Overload	(%FS)	150				
Ultimate Overload	(%FS)	300				
Recommended Torque on Fixation Bolt	Nm	60 kg / 130 kg / 280 kg	250kg / 500kg~10t	13t	28t	60t
		8	10	-	-	-
Protection Class		IP68				

Part Number	Capacity	Ship Weight	Price
BM24R-C3-250KG	250KG S.S spoke	3 lb	\$1,390
BM24R-C3-500KG	500KG S.S spoke	3 lb	\$1,390
BM24R-C3-60KG	60KG S.S spoke	3 lb	\$1,440
BM24R-C3-130KG	130KG S.S spoke	3 lb	\$1,440
BM24R-C3-280KG	280KG S.S spoke	3 lb	\$1,440
BM24R-C3-1T	1T S.S spoke	3 lb	\$1,390
BM24R-C3-2T	2T S.S sspoke	4 lb	\$1,390
BM24R-C3-3.5T	3.5T S.S spoke	4 lb	\$1,505
BM24R-C3-5T	5T S.S spoke	4 lb	\$1,505
BM24R-C3-10T	10T S.S sspoke	6 lb	\$1,805
BM24R-C3-13T	13T S.S spoke	12 lb	\$1,875
BM24R-C3-28T	28T S.S spoke	9 lb	\$2,370
BM24R-C3-60T	60T S.S spoke	15 lb	\$2,965

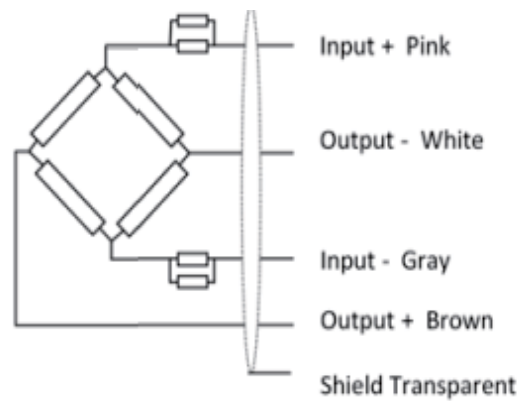
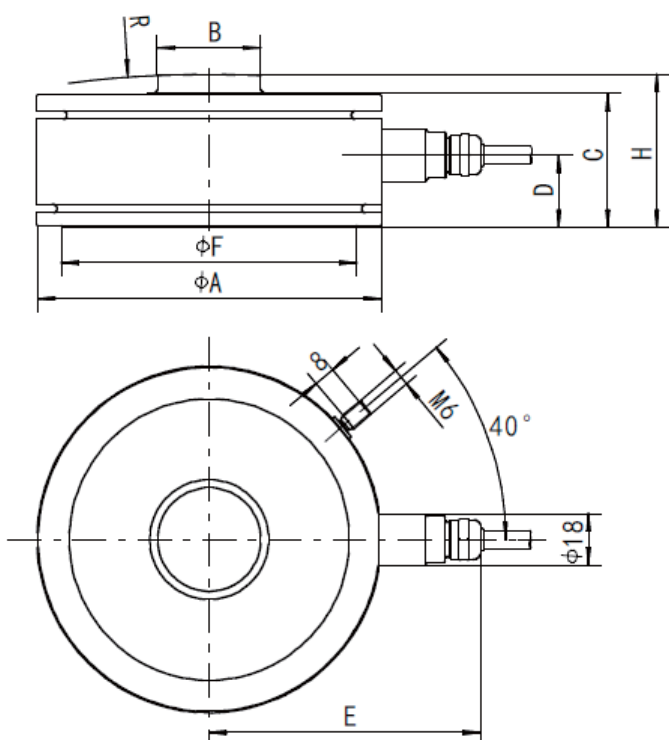
Compatible Products

Manufacturer	Model
Revere	RLC



Outline Dimensions mm (inch)												
Dimension	ΦA	ΦB	C	D	E	ΦF	G	H	I	J	ΦK	SR
Capacity												
60kg,130kg,280kg	63	15.1	22	11	60	54	6	10	Φ32	-	-	-
0.25t/0.5t/1t	80	19	25	12.5	65	71	10	18	M10	1	25	-
2t/3.5t	80	19	30	12.5	65	71	10	18	Φ15	6	25	-
10t	95	26	35	12.5	72	75	20.7	31.2	-	-	29	-
13t	95	26	35	20	85	79.5	20	31	-	-	29	-
28t	120	35.9	46	25	94	102	-	53	-	-	-	400
60t	140	47.9	62	34	104	124	-	69	-	-	-	600

Capacity	Cable Length
60kg	3m
130kg	
250kg	
280kg	
500kg	
1t	6m
2t	
3.5t	
5t	15m
10t	
13t	
28t	
60t	



Wiring:
Shielded 4 conductor cable: Φ6.2mm±0.1mm



H2D

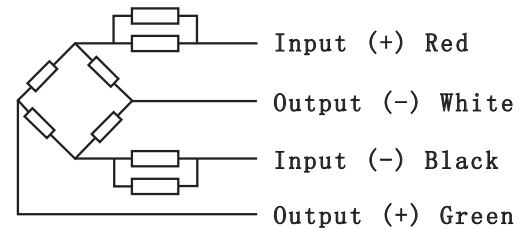
- H2D load cells are available for manifold accurate measurement in the capacities 5t~20t
- Alloy steel, sealed by adhesive, oil-proof, waterproof and anti-corrosion, suitable for all kinds of environments
- Spoke type, easy installation, suitable for crane scale, hopper scale and other electronic weighing devices
- Safe and anti-explosive product, can be used in atrocious environments and hazardous areas

Features

- Capacities: 5t~20t
- Alloy steel construction
- High accuracy



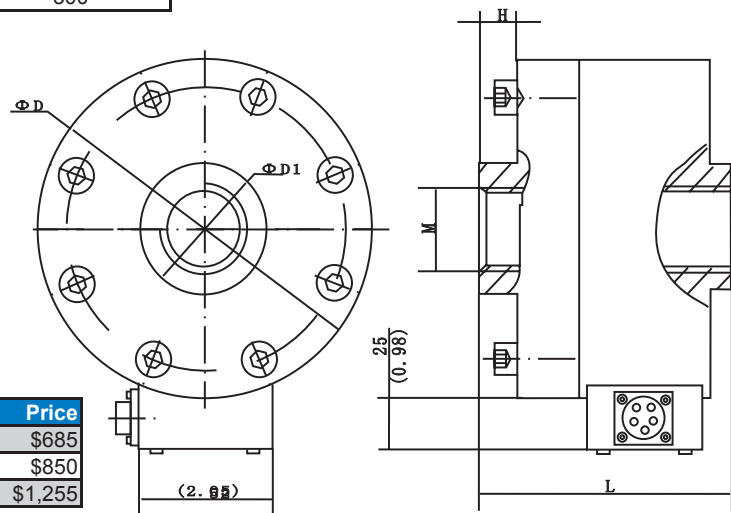
Specifications		
Capacity	t	5/10/20
Accuracy		C2
Maximum Number of Verification Intervals	Nmax	2000
Minimum Load Cell Verification Interval	Vmin	E _{max} /5000
Combined Error	(%FS)	≤±0.030
Creep	(%FS/30min)	≤±0.023
Temperature Effect on Sensitivity	(%FS/10°C)	≤±0.017
Temperature Effect on Zero	(%FS/10°C)	≤±0.029
Output Sensitivity	(mV/V)	2.0±0.008
Input Resistance	(Ω)	750±10
Output Resistance	(Ω)	700±7
Insulation Resistance	(MΩ)	≥5000 (50VDC)
Zero Balance	(%FS)	1.0
Temperature, Compensated	(°C)	-10~+40
Temperature, Operating	(°C)	-35~+70
Excitation, Recommended	(V)	5~12 (DC)
Excitation, Max	(V)	18 (DC)
Safe Overload	(%FS)	150
Ultimate Overload	(%FS)	300



Wiring:

Five-wire connector
 Shielded 4 conductor cable: Φ5mm
 Standard Cable Length: 5m

Outline Dimensions mm (inch)					
Dimension (mm)	L	D	D1	M	H
Capacity (t)					
5	83 (3.27)	128 (5.04)	45 (1.77)	M24X2	8 (0.31)
10	150 (5.91)	160 (6.03)	60 (2.36)	M39X2	30 (1.18)
20	220 (8.66)	200 (7.78)	80 (2.99)	M60X2	60 (2.36)



Part Number	Capacity	Ship Weight	Price
H2D-C2-5.0t-5B	5T alloy steel spoke metric	18 lb	\$685
H2D-C2-10.0t-5B	10T alloy steel spoke metric	40 lb	\$850
H2D-C2-20.0t-5B	20T alloy steel spoke metric	51 lb	\$1,255



HM2D4

- HM2D4 load cells are available for manifold accurate measurement in the capacities 0.5t~20t
- Alloy steel, completely welded, oil-proof, waterproof and anti-corrosive gas and medium, suitable for all kinds of environments
- Spoke type, suitable for electronic truck scales, hopper scales, automotive testing equipment, and other electronic weighing or force measuring fields

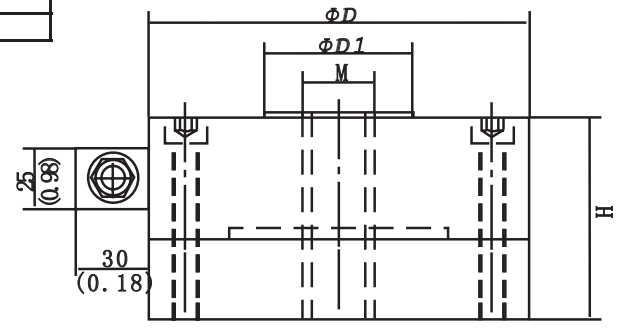
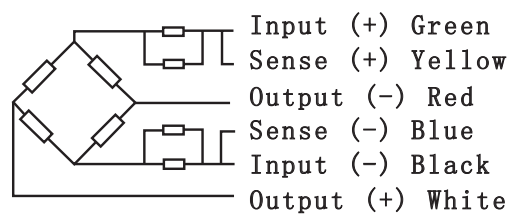
Features

- Capacities: 0.5t~20t
- Alloy steel construction
- High accuracy
- Low profile



Specifications		
Capacity	t	0.5/1/2/3/5/10/20/50
Accuracy		C3
Maximum Number of Verification Intervals	Nmax	2000
Minimum Load Cell Verification Intervals	Vmin	E _{max} /5000
Combined Error	(%FS)	≤±0.030
Creep	(%FS/30min)	≤±0.024
Temperature Effect on Sensitivity	(%FS/10°C)	≤±0.017
Temperature Effect on Zero	(%FS/10°C)	≤±0.023
Output Sensitivity	(mV/V)	2.0±0.002
Input Resistance	(Ω)	350±3
Output Resistance	(Ω)	351±2
Insulation Resistance	(MΩ)	≥5000 (50VDC)
Zero Balance	(%FS)	1.0
Temperature, Compensated	(°C)	-10~+40
Temperature, Operating	(°C)	-35~+70
Excitation, Recommended	(V)	5~12 (DC)
Excitation, Max	(V)	18 (DC)
Safe Overload	(%FS)	150
Ultimate Overload	(%FS)	300

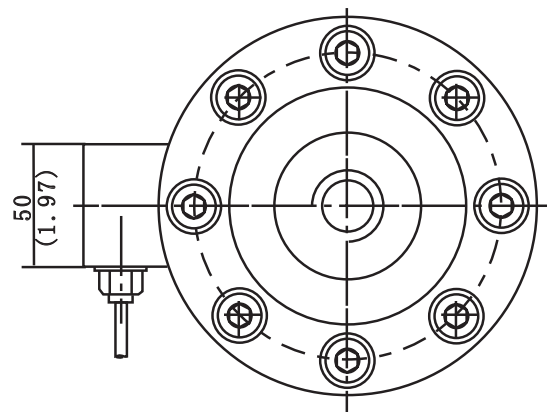
Outline Dimensions mm (inch)				
Dimension (mm)	D	D1	H	M
Capacity (t)				
0.5t~2t	105 (4.13)	28 (1.10)	70 (2.76)	M14×2
3t, 5t	120 (4.72)	33 (1.3)	80 (3.15)	M20×1.5
10t, 20t	155 (6.10)	60.5 (2.38)	90 (3.54)	M32×2
50t	200 (7.87)	75 (2.95)	120 (4.72)	M45×3



Wiring:

Shielded 6 conductor cable: Φ5mm
Standard Cable Length: 5m

Part Number	Capacity	Ship Weight	Price
HM2D4-C3-5t-5B	0.5T alloy steel spoke metric	10 lb	\$660
HM2D4-C3-1t-5B6	1T alloy steel spoke metric	10 lb	\$660
HM2D4-C3-2t-5B6	2T alloy steel spoke metric	10 lb	\$660
HM2D4-C3-3t-5B6	3T alloy steel spoke metric	14 lb	\$780
HM2D4-C3-5t-5B6	5T alloy steel spoke metric	14 lb	\$780
HM2D4-C3-10t-5B	10T alloy steel spoke metric	17 lb	\$1,050
HM2D4-C3-20t-5B	20T alloy steel spoke metric	17 lb	\$1,050
HM2D4-C3-50t-5B	50T alloy steel spoke metric	58 lb	\$2,135





B9B1

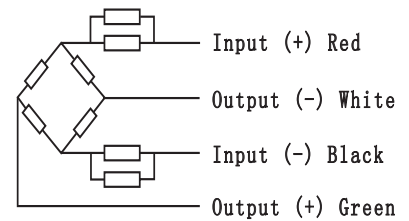
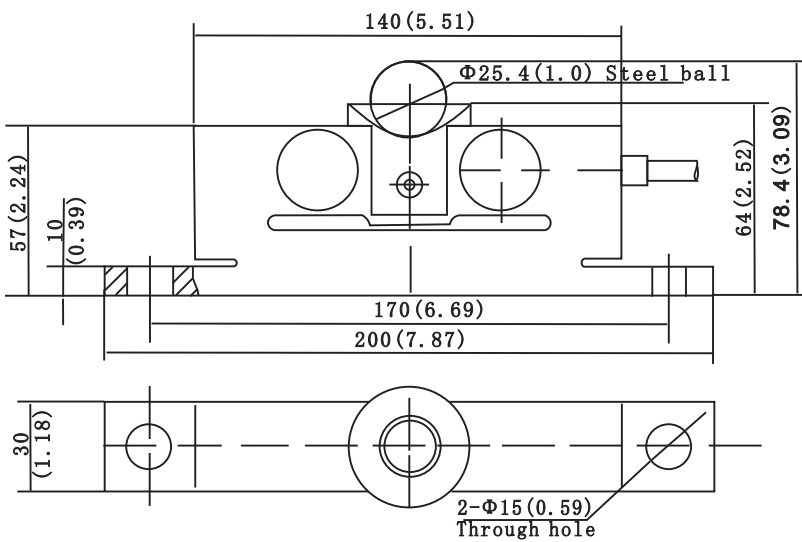
- B9B1 load cells are available in the capacity of 2t
- Stainless steel construction, potted by adhesive inside, oil proof, waterproof, anti-corrosive gas and medium sized making it suitable for all kinds of environments
- Dual shear beam, easy for installation, suitable for electronic platform scales and other electronic weighing devices
- Safe and anti-explosive product, can be used in atrocious environments and hazardous areas



Features

- Capacities: 2t
- High accuracy
- Stainless steel construction
- Low profile

Specifications		
Capacity	t	2
Accuracy		C3
Maximum Number of Verification Intervals	Nmax	3000
Minimum Load Cell Verification Intervals	Vmin	Emax/10000
Combined Error	(%FS)	≤±0.020
Creep	(%FS/30min)	≤±0.016
Temperature Effect on Sensitivity	(%FS/10°C)	≤±0.011
Temperature Effect on Zero	(%FS/10°C)	≤±0.015
Output Sensitivity	(mV/V)	1.2±0.004
Input Resistance	(Ω)	700±7
Output Resistance	(Ω)	703±4
Insulation Resistance	(MΩ)	≥5000 (50VDC)
Zero Balance	(%FS)	2.5
Temperature, Compensated	(°C)	-10~+40
Temperature, Operating	(°C)	-35~+70
Excitation, Recommended	(V)	5~12 (DC)
Excitation, Max	(V)	18 (DC)
Safe Overload	(%FS)	150
Ultimate Overload	(%FS)	300



Wiring:
Shielded 4 conductor cable
Standard Cable Length: 4m

Part Number	Capacity	Ship Weight	Price
B9B1-C3-2.0t-4B	2T dual shear beam	7 lb	\$585



HM9B

- HM9B load cells are available in the capacities 10t~50t
- Alloy steel construction, nickel plated, hermetically welded, oil proof, waterproof, anti-corrosive gas and medium sized making it suitable for all kinds of environments
- Dual shear beam, suitable for electronic truck scales, railway scales and other electronic weighing devices

Features

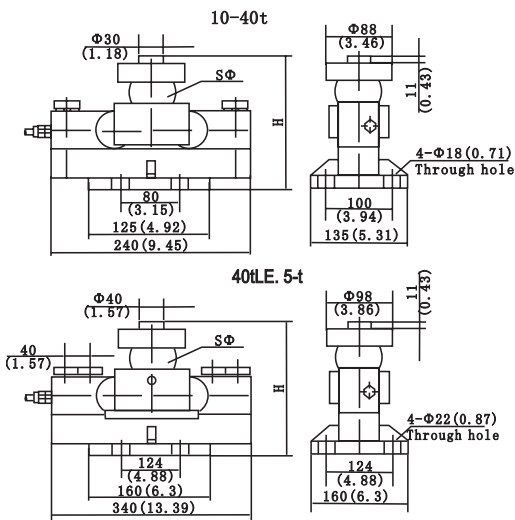
- Capacities: 10t~50t
- High accuracy
- Alloy steel construction
- Easy installation and reliable performance
- OIML Cert. No.: R60/2000-CNI-06.06
- PTB Approval No.: D09-06.08

Accessories

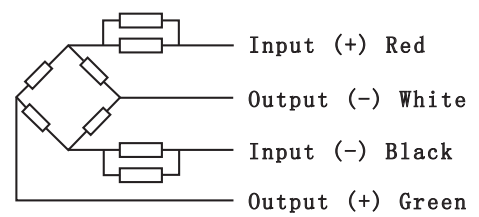
- Button
- Steel ball
- Ball cup
- Base plate



Specifications		
Capacity	t	10/20/25/30/40/40tLE/50
Accuracy		C3
Approvals		OIML R60 C3
Maximum Number of Verification Intervals	Nmax	3000
Minimum Load Cell Verification Intervals	Vmin	Emax/10000
Combined Error	(%FS)	≤±0.020
Creep	(%FS/30min)	≤±0.016
Temperature Effect on Sensitivity	(%FS/10°C)	≤±0.011
Temperature Effect on Zero	(%FS/10°C)	≤±0.015
Output Sensitivity	(mV/V)	2.0±0.002
Input Resistance	(Ω)	700±7 750±7
Output Resistance	(Ω)	700±7
Insulation Resistance	(MΩ)	≥5000 (50VDC)
Zero Balance	(%FS)	1.5
Temperature, Compensated	(°C)	-10~+40
Temperature, Operating	(°C)	-35~+70
Excitation, Recommended	(V)	5~12 (DC)
Excitation, Max	(V)	18 (DC)
Safe Overload	(%FS)	150
Ultimate Overload	(%FS)	300



Outline Dimensions mm (inch)			
Capacity	10t	20t~40t	40tLE, 50t
Dimension			
H	195 (7.68)	225 (8.86)	267 (10.51)
SΦ	50 (1.97)	76 (2.99)	82 (3.22)



Wiring:
Shielded 4 conductor cable: $\Phi 5.5\text{mm}$
Standard Cable Length: 12m

Part Number	Capacity	Ship Weight	Price
HM9B-C3-10t	10T dual shear beam	35 lb	\$470
HM9B-C3-20t	20T dual shear beam	40 lb	\$560
HM9B-C3-25t	25T dual shear beam	40 lb	\$560
HM9B-C3-30t	30T dual shear beam	40 lb	\$560
HM9B-C3-40tSE	40T SE dual shear beam	40 lb	\$560
HM9B-C3-40tLE	40T LE dual shear beam	55 lb	\$1,010
HM9B-C3-50t	50T dual shear beam	55 lb	\$1,010

Double Ended Shear Beams



B9C

- B9C load cells are available in the capacities 5Klb~250Klb
- Stainless steel construction, potted by adhesive inside, oil proof, waterproof, anti-corrosive gas and medium sized making it suitable for all kinds of environments
- Dual shear beam, suitable for electronic truck scales, automobile testing facilities, track scales, tank scales and other electronic weighing devices



Features

- Capacities: 5Klb~250Klb
- High accuracy
- Stainless steel construction
- Easy installation and reliable performance
- Low profile
- NTEP Cert. No.: 07-018A1

Accessories

- BM-9-402
- HM-9-401

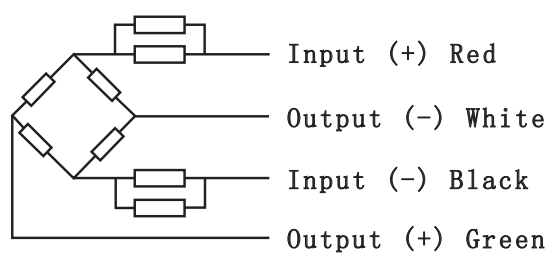
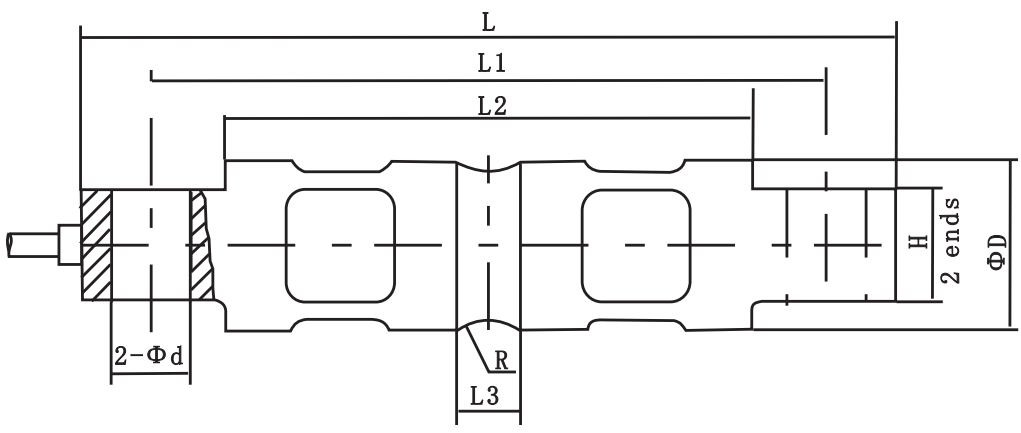
Specifications			
Capacity	Klb	5/10/20/30/40/50/60/75/90/100/150/200/250	
Accuracy		N3	N10
Maximum Number of Verification Intervals	Nmax	3000	10000
Minimum Number of Verification Intervals	Vmin	Emax/3000	Emax/10000
Combined Error	(%FS)	≤±0.020	≤±0.020
Creep	(%FS/30min)	≤±0.016	≤±0.020
Temperature Effect on Sensitivity	(%FS/10°C)	≤±0.020	≤±0.014
Temperature Effect on Zero	(%FS/10°C)	≤±0.020	≤±0.017
Output Sensitivity	(mV/V)	3.0±0.008	
Input Resistance	(Ω)	700±7	
Output Resistance	(Ω)	703±4	
Insulation Resistance	(MΩ)	≥5000 (50VDC)	
Zero Balance	(%FS)	1.0	
Temperature, Compensated	(°C)	-10~+40	
Temperature, Operating	(°C)	-35~+70	
Excitation, Recommended	(V)	5~12 (DC)	
Excitation, Max	(V)	18 (DC)	
Safe Overload	(%FS)	150	
Ultimate Overload	(%FS)	300	

Part Number	Capacity	Ship Weight	Price
B9C-N3-5K-9B	5K stainless dual shear beam	4 lb	\$580
B9C-N10-10K-9B	10K stainless dual shear beam	4 lb	\$580
B9C-N10-20K-9B	20K stainless dual shear beam	9 lb	\$645
B9C-N10-30K-9B	30K stainless dual shear beam	20 lb	\$1,025
B9C-N10-40K-9B	40K stainless dual shear beam	20 lb	\$1,025
B9C-N10-50K-9B	50K stainless dual shear beam	22 lb	\$1,025
B9C-N10-60K-9B	60K stainless dual shear beam	22 lb	\$1,025
B9C-N10-75K-9B	75K stainless dual shear beam	22 lb	\$1,025
B9C-N10-90K-9B	90K stainless dual shear beam	22 lb	\$1,335
B9C-N10-100K-9B	100K stainless dual shear beam	29 lb	\$1,335
B9C-N3-150K-9B	150K stainless dual shear beam	35 lb	\$1,580
B9C-N3-200K-9B	200K stainless dual shear beam	93 lb	\$3,810
B9C-N3-250K-9B	250K stainless dual shear beam	99 lb	\$3,810

Compatible Products	
Manufacturer	Model
Revere	9103
Coti	CI-5103-SSW
Rice Lake	RL7100HE



Outline Dimensions mm (inch)								
Dimension	L	L1	L2	L3	ΦD	H	Φd	R
Capacity (Klb)								
5~10	206.2 (8.12)	174.6 (6.88)	133.1 (5.24)	15.7 (0.62)	Φ43.2 (1.7)	28.4 (1.12)	Φ16.7 (0.66)	R12.7 (0.5)
20	206.2 (8.12)	174.6 (6.88)	133.1 (5.24)	21.3 (0.84)	Φ49.5 (1.95)	28.4 (1.12)	Φ16.7 (0.66)	R12.7 (0.5)
30~75	260.4 (10.25)	215.9 (8.5)	165.2 (6.5)	25.4 (1.0)	Φ76.2 (3.0)	60.2 (2.37)	Φ26.9 (1.06)	R25.4 (1.0)
90~100	285.8 (11.25)	241.3 (9.5)	190.2 (7.49)	31.0 (1.22)	Φ88.9 (3.5)	63.5 (2.5)	Φ26.9 (1.06)	R38.1 (1.5)
150	285.8 (11.25)	241.3 (9.5)	190.2 (7.49)	31.0 (1.22)	Φ99.1 (3.9)	71.1 (2.8)	Φ26.9 (1.06)	R38.1 (1.5)
200~250	408.9 (16.1)	330.2 (13.0)	254.0 (10.0)	31.7 (1.25)	Φ136.6 (5.38)	116.8 (4.6)	Φ39.6 (1.56)	R50.8 (2.0)



Wiring:
 Shielded 4 conductor cable
 Standard Cable Length: 9.3m
 Cable Diameter: Φ5mm (5K-20K); Φ8mm (30K-250K)



B9D

- B9D load cells are available in the capacities 1Klb~75Klb
- Stainless steel construction, potted by adhesive inside, oil proof, waterproof, anti-corrosive gas and medium sized making it suitable for all kinds of environments
- Dual shear beam, suitable for electronic truck scales, automobile testing facilities, track scales, tank scales and other electronic weighing devices



Features

- Capacities: 1Klb~75Klb
- High accuracy
- Stainless steel construction
- Easy installation and reliable performance
- Low profile

Accessories

- BM-9-404
- HM-9-403

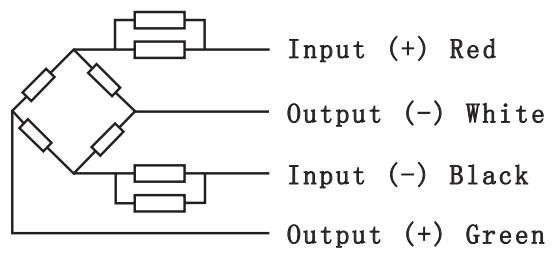
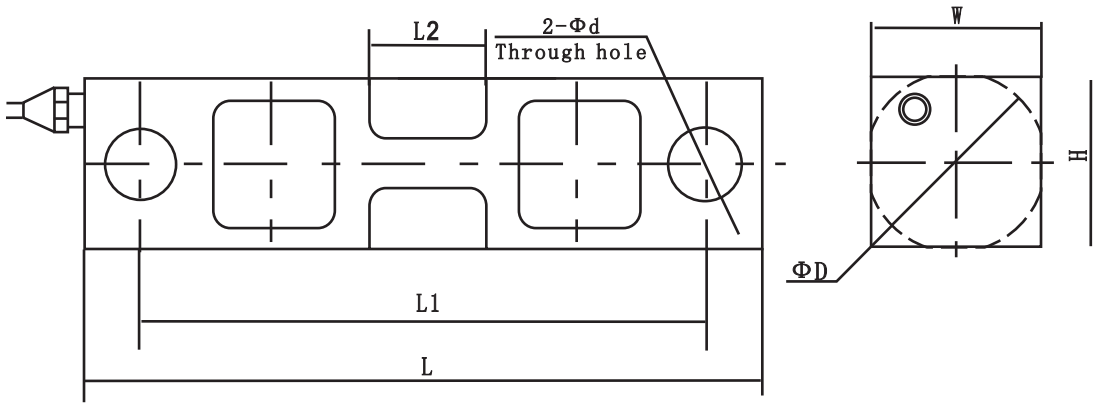
Specifications		
Capacity	Klb	1/1.5/2/2.5/3/4/5/10/15/20/25/35/50/75
Accuracy		N3 Equivalent
Maximum Number of Verification Intervals	Nmax	10000
Minimum Number of Verification Intervals	Vmin	E _{max} /10000
Combined Error	(%FS)	≤±0.050
Creep	(%FS/30min)	≤±0.040
Temperature Effect on Sensitivity	(%FS/10°C)	≤±0.040
Temperature Effect on Zero	(%FS/10°C)	≤±0.020
Output Sensitivity	(mV/V)	3.0±0.008
Input Resistance	(Ω)	700±7
Output Resistance	(Ω)	703±4
Insulation Resistance	(MΩ)	≥5000 (50VDC)
Zero Balance	(%FS)	1.0
Temperature, Compensated	(°C)	-10~+40
Temperature, Operating	(°C)	-35~+70
Excitation, Recommended	(V)	5~12 (DC)
Excitation, Max	(V)	18 (DC)
Safe Overload	(%FS)	150
Ultimate Overload	(%FS)	300

Part Number	Capacity	Ship Weight	Price
B9D-N3-1K-6B	1K stainless dual shear beam	4 lb	\$455
B9D-N3-1.5K-6B	1.5K stainless dual shear beam	4 lb	\$455
B9D-N3-2K-6B	2K stainless dual shear beam	4 lb	\$455
B9D-N3-2.5K-6B	2.5K stainless dual shear beam	4 lb	\$455
B9D-N3-3K-6B	3K stainless dual shear beam	4 lb	\$455
B9D-N3-4K-6B	4K stainless dual shear beam	4 lb	\$455
B9D-N3-5K-6B	5K stainless dual shear beam	4 lb	\$455
BB9D-N3-10K-6B	10K stainless dual shear beam	7 lb	\$620
B9D-N3-15K-6B	15K stainless dual shear beam	7 lb	\$620
B9D-N3-20K-6B	20K stainless dual shear beam	7 lb	\$620
B9D-N3-25K-6B	25K stainless dual shear beam	7 lb	\$620
B9D-N3-35K-6B	35K stainless dual shear beam	7 lb	\$620
B9D-N3-50K-6B	50K stainless dual shear beam	26 lb	\$1,230
B9D-N3-75K-6B	75K stainless dual shear beam	26 lb	\$1,230

Compatible Products	
Manufacturer	Model
Revere	9203
Celtron	DSR-HSS
Sensortronics	65016W
Coti	CI-16-SSW
Rice Lake	RL75016SS
Vishay	DSR-HSS



Outline Dimensions mm (inch)							
Dimension	L	L1	L2	ΦD	Φd	H	W
Capacity (Klb)							
1~5	190.5 (7.5)	150.87 (5.94)	30.48 (1.2)	$\Phi 31.5$ (1.24)	$\Phi 12.7$ (0.5)	30.99 (1.22)	30.99 (1.22)
10~35	222.25 (8.75)	190.5 (7.5)	41.15 (1.62)	$\Phi 50.8$ (2.0)	$\Phi 20.57$ (0.81)	49.15 (1.94)	36.45 (1.44)
50~75	342.9 (13.5)	292.1 (11.5)	82.55 (3.25)	$\Phi 75.95$ (2.99)	$\Phi 33.32$ (1.31)	74.68 (2.94)	61.98 (2.44)



Wiring:
 Shielded 4 conductor cable
 Standard Cable Length: 6.2m
 Cable Diameter: $\Phi 5$ mm



H9D

- H9D load cells are available in the capacities 1Klb~75Klb
- Alloy steel construction, potted by adhesive inside, oil proof, waterproof, anti-corrosive gas and medium sized making it suitable for all kinds of environments
- Dual shear beam, suitable for electronic truck scales, automobile testing facilities, track scales, tank scales and other electronic weighing devices



Features

- Capacities: 1Klb~75Klb
- High accuracy
- Low profile
- OIML Cert. No.: R60/2000-NL1-11.31
- NTEP Cert. No.: CC12-015

Accessories

- BM-9-404
- HM-9-403

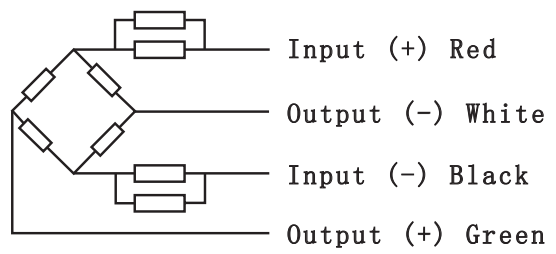
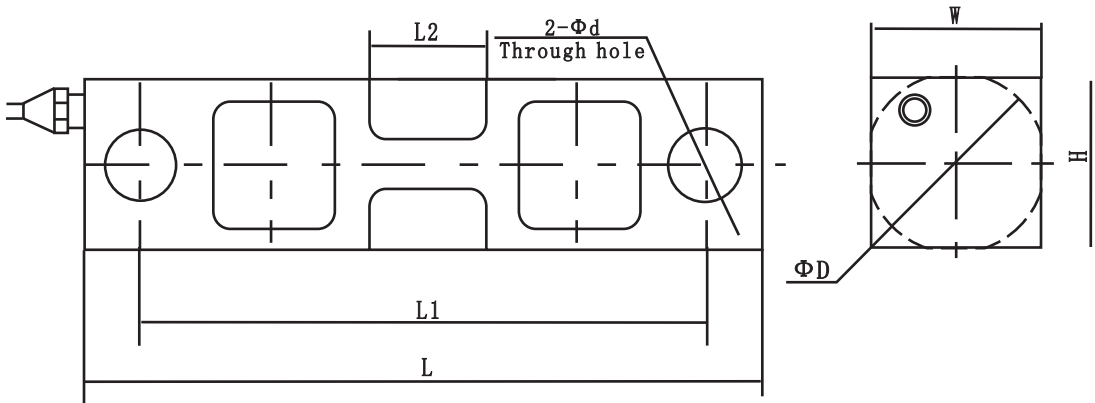
Specifications		
Capacity	Klb	1/1.5/2/2.5/4/5/10/15/20/25/35/50/75
Accuracy		N3
Maximum Number of Verification Intervals	Nmax	3000
Minimum Number of Verification Intervals	Vmin	Emax/3000
Combined Error	(%FS)	≤±0.030
Creep	(%FS/30min)	≤±0.030
Temperature Effect on Sensitivity	(%FS/10°C)	≤±0.020
Temperature Effect on Zero	(%FS/10°C)	≤±0.025
Output Sensitivity	(mV/V)	3.0±0.008
Input Resistance	(Ω)	700±7
Output Resistance	(Ω)	703±4
Insulation Resistance	(MΩ)	≥5000 (50VDC)
Zero Balance	(%FS)	1.0
Temperature, Compensated	(°C)	-10~+40
Temperature, Operating	(°C)	-35~+70
Excitation, Recommended	(V)	5~12 (DC)
Excitation, Max	(V)	18 (DC)
Safe Overload	(%FS)	150
Ultimate Overload	(%FS)	300

Part Number	Capacity	Ship Weight	Price
H9D-N3-1K-6B	1K alloy dual shear beam	2 lb	\$385
H9D-N3-1.5K-6B	1.5K alloy dual shear beam	2 lb	\$385
H9D-N3-2K-6B	2K alloy dual shear beam	2 lb	\$385
H9D-N3-2.5K-6B	2.5K alloy dual shear beam	2 lb	\$385
H9D-N3-4K-6B	4K alloy dual shear beam	2 lb	\$385
H9D-N3-5K-6B	5K alloy dual shear beam	2 lb	\$385
H9D-N3-10K-6B	10K alloy dual shear beam	7 lb	\$420
H9D-N3-15K-6B	15K alloy dual shear beam	7 lb	\$420
H9D-N3-20K-6B	20K alloy dual shear beam	7 lb	\$420
H9D-N3-25K-6B	25K alloy dual shear beam	7 lb	\$420
H9D-N3-35K-6B	35K alloy dual shear beam	7 lb	\$420
H9D-N3-50K-6B	50K alloy dual shear beam	26 lb	\$900
H9D-N3-75K-6B	75K alloy dual shear beam	26 lb	\$900

Compatible Products	
Manufacturer	Model
Revere	5203
Celtron	DSR
Sensortronics	65016
Coti	CI-16
Artech	70510
Rice Lake	RL75016
Vishay	DSR



Outline Dimensions mm (inch)							
Dimension	L	L1	L2	ΦD	Φd	H	W
Capacity (Klb)							
1~5	190.5 (7.5)	150.87 (5.94)	30.48 (1.2)	$\Phi 31.5$ (1.24)	$\Phi 12.7$ (0.5)	30.99 (1.22)	30.99 (1.22)
10~35	222.25 (8.75)	190.5 (7.5)	41.15 (1.62)	$\Phi 50.8$ (2.0)	$\Phi 20.57$ (0.81)	49.15 (1.94)	36.45 (1.44)
50~75	342.9 (13.5)	292.1 (11.5)	82.55 (3.25)	$\Phi 75.95$ (2.99)	$\Phi 33.32$ (1.31)	74.68 (2.94)	61.98 (2.44)



Wiring:
 Shielded 4 conductor cable
 Standard Cable Length: 6.2m
 Cable Diameter: $\Phi 5$ mm



H9C

- H9C load cells are available in the capacities 5Klb~250Klb
- Alloy steel construction, potted by adhesive inside, oil proof, waterproof, anti-corrosive gas and medium sized making it suitable for all kinds of environments
- Dual shear beam, suitable for electronic truck scales, automobile testing facilities, track scales, tank scales and other electronic weighing devices



Features

- Capacities: 5Klb~250Klb
- High accuracy
- Alloy steel construction
- Easy installation and reliable performance
- Low profile
- PTB Approval No.: D09-07.07
- NTEP Cert. No.: CC07-018A1

Accessories

- BM-9-402
- HM-9-401

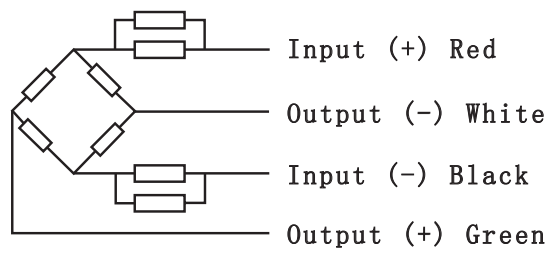
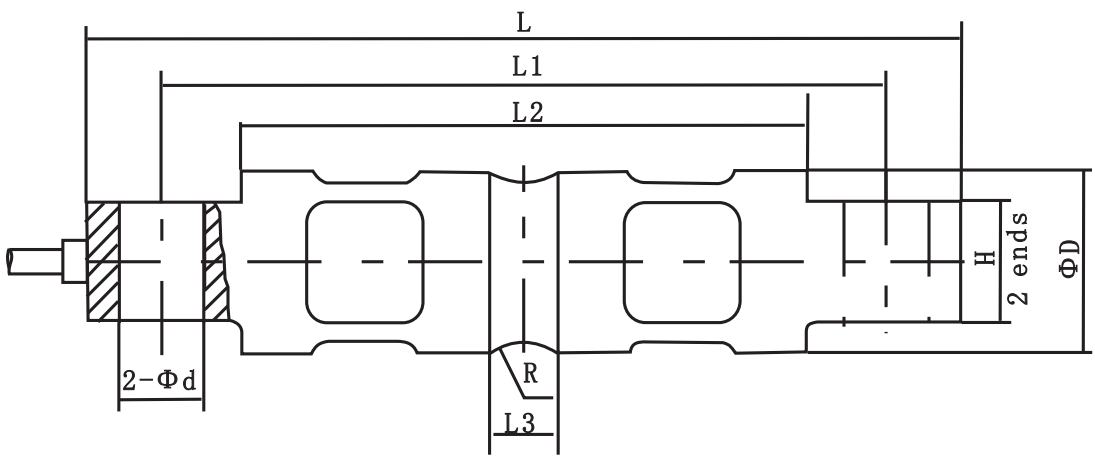
Specifications			
Capacity	Klb	5/10/20/30/40/50/60/75/100/150/200/250	
Accuracy		N3	N10
Maximum Number of Verification Intervals	Nmax	3000	10000
Minimum Number of Verification Intervals	Vmin	Emax/3000 Emax/10000	
Combined Error	(%FS)	≤±0.030	≤±0.020
Creep	(%FS/30min)	≤±0.030	≤±0.020
Temperature Effect on Sensitivity	(%FS/10°C)	≤±0.020	≤±0.014
Temperature Effect on Zero	(%FS/10°C)	≤±0.025	≤±0.017
Output Sensitivity	(mV/V)	3.0±0.008	
Input Resistance	(Ω)	700±7	
Output Resistance	(Ω)	703±4	
Insulation Resistance	(MΩ)	≥5000 (50VDC)	
Zero Balance	(%FS)	1.0	
Temperature, Compensated	(°C)	-10~+40	
Temperature, Operating	(°C)	-35~+70	
Excitation, Recommended	(V)	5~12 (DC)	
Excitation, Max	(V)	18 (DC)	
Safe Overload	(%FS)	150	
Ultimate Overload	(%FS)	300	

Part Number	Capacity	Ship Weight	Price
H9C-N3-5K	5K alloy dual shear beam	4 lb	\$470
H9C-N3-10K	10K alloy dual shear beam	4 lb	\$470
H9C-N3-200K	200K alloy dual shear beam	93 lb	\$2,110
H9C-N3-250K	250K alloy dual shear beam	99 lb	\$2,110
H9C-N10-20K	20K alloy dual shear beam	9 lb	\$480
H9C-N10-30K	30K alloy dual shear beam	20 lb	\$625
H9C-N10-40K	40K alloy dual shear beam	20 lb	\$625
H9C-N10-50K	50K alloy dual shear beam	22 lb	\$625
H9C-N10-60K	60K alloy dual shear beam	22 lb	\$625
H9C-N10-75K	75K alloy dual shear beam	22 lb	\$625
H9C-N10-100K	100K alloy dual shear beam	29 lb	\$900
H9C-N10-150K	150K alloy dual shear beam	35 lb	\$1,090

Compatible Products	
Manufacturer	Model
Revere	5103



Outline Dimensions mm (inch)								
Dimension	L	L1	L2	L3	ΦD	H	Φd	R
Capacity (Klb)								
5~10	206.2 (8.12)	174.6 (6.88)	133.1 (5.24)	15.7 (0.62)	Φ43.2 (1.7)	28.4 (1.12)	Φ16.7 (0.66)	R12.7 (0.5)
20	206.2 (8.12)	174.6 (6.88)	133.1 (5.24)	21.3 (0.84)	Φ49.5 (1.95)	28.4 (1.12)	Φ16.7 (0.66)	R12.7 (0.5)
30~75	260.4 (10.25)	215.9 (8.5)	165.1 (6.5)	25.4 (1.0)	Φ76.2 (3.0)	60.2 (2.37)	Φ26.9 (1.06)	R25.4 (1.0)
100	285.8 (11.25)	241.3 (9.5)	190.2 (7.49)	31.0 (1.22)	Φ88.9 (3.5)	63.5 (2.5)	Φ26.9 (1.06)	R38.1 (1.5)
150	285.8 (11.25)	241.3 (9.5)	190.2 (7.49)	31.0 (1.22)	Φ99.1 (3.9)	71.1 (2.8)	Φ26.9 (1.06)	R38.1 (1.5)
200~250	408.9 (16.1)	330.3 (13.0)	254.0 (10.0)	31.7 (1.25)	Φ136.6 (5.38)	116.8 (4.6)	Φ39.6 (1.56)	R50.8 (2.0)



Wiring:
 Shielded 4 conductor cable
 Standard Cable Length: 9.3m
 Cable Diameter: Φ5mm (5Klb~20Klb); Φ8mm (30Klb~250Klb)



HM9C

- HM9C load cells are available in the capacities 20K~60Klb
- Alloy steel construction, hermetically sealed, oil proof, waterproof, anti-corrosive gas and medium sized making it suitable for all kinds of environments
- Dual shear beam, suitable for electronic truck scales, automobile testing facilities, track scales and other electronic weighing devices



Features

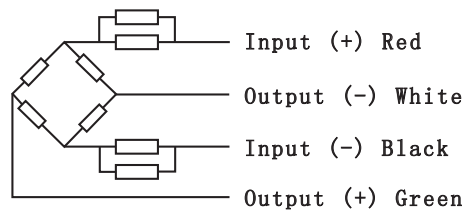
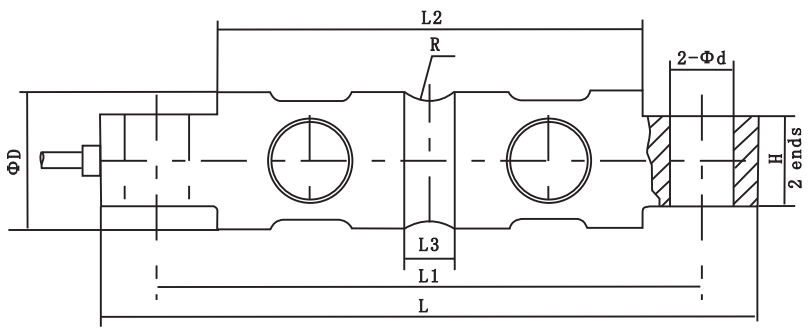
- Capacities: 20K~60Klb
- High accuracy
- Alloy steel construction
- Easy installation and reliable performance
- PTB Approval No.: D09-06.46

Accessories

- BM-9-402
- HM-9-401

Specifications		
Capacity	Klb	20/30/40/50/60
Accuracy		N10
Maximum Number of Verification Intervals	Nmax	10000
Minimum Load Cell Verification Intervals	Vmin	Emax/10000
Combined Error	(%FS)	±0.020
Creep	(%FS/30min)	±0.020
Temperature Effect on Sensitivity	(%FS/10°C)	±0.014
Temperature Effect on Zero	(%FS/10°C)	±0.017
Output Sensitivity	(mV/V)	3.0±0.008
Input Resistance	(Ω)	700±7
Output Resistance	(Ω)	703±4
Insulation Resistance	(MΩ)	≥5000 (50VDC)
Zero Balance	(%FS)	1.0
Temperature, Compensated	(°C)	-10~+40
Temperature, Operating	(°C)	-35~+70
Excitation, Recommended	(V)	5~12 (DC)
Excitation, Max	(V)	18 (DC)
Safe Overload	(%FS)	150
Ultimate Overload	(%FS)	300

Outline Dimensions mm (inch)								
Dimension	L	L1	L2	L3	ΦD	Φd	H	R
Capacity								
20	206.2 (8.12)	174.6 (6.88)	133.1 (5.24)	21.6 (0.84)	Φ49.5 (1.95)	Φ16.7 (0.66)	28.4 (1.12)	R12.7 (0.5)
30~60	260.0 (10.25)	215.9 (8.5)	165.1 (6.5)	25.4 (1.0)	Φ76.2 (3.0)	Φ26.9 (1.06)	60.2 (2.37)	R25.4 (1.0)



Wiring:
 Shielded 4 conductor cable
 Standard Cable Length: 9.3m
 Cable Diameter: Φ5mm (10Klb~20Klb);
 Φ8mm (30Klb~75Klb)

Part Number	Capacity	Ship Weight	Price
HM9C-N10-20K	20K alloy dual shear beam	9 lb	\$640
HM9C-N10-30K	30K alloy dual shear beam	20 lb	\$810
HM9C-N10-40K	40K alloy dual shear beam	20 lb	\$810
HM9C-N10	50K alloy dual shear beam	22 lb	\$810
HM9C-N10-60K	60K alloy dual shear beam	22 lb	\$810

Double Ended Shear Beams



B9E

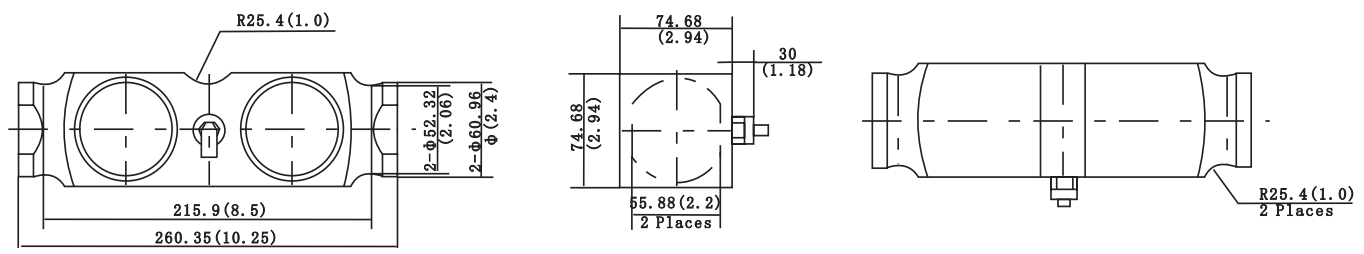
- B9E load cells are available in the capacities 50Klb~150Klb
- Stainless steel construction, potted by adhesive inside, oil proof, waterproof, anti-corrosive gas and medium sized making it suitable for all kinds of environments
- Dual shear beam, suitable for electronic truck scales, track scales, hopper scales and other electronic weighing devices



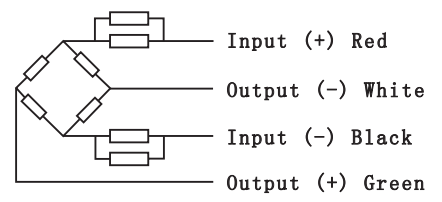
Features

- Capacities: 50K~150Klb
- High accuracy
- Stainless steel construction
- Easy installation and reliable performance

Specifications		
Capacity	Klb	50/60/65/75/100/125/150
Accuracy		N10
Maximum Number of Verification Intervals	Nmax	10000
Minimum Load Cell Verification Intervals	Vmin	Emax/10000
Combined Error	(%FS)	≤±0.020
Creep	(%FS/30min)	≤±0.020
Temperature Effect on Sensitivity	(%FS/10°C)	≤±0.014
Temperature Effect on Zero	(%FS/10°C)	≤±0.017
Output Sensitivity	(mV/V)	3.0±0.008
Input Resistance	(Ω)	700±7
Output Resistance	(Ω)	703±4
Insulation Resistance	(MΩ)	≥5000 (50VDC)
Zero Balance	(%FS)	1.0
Temperature, Compensated	(°C)	-10~+40
Temperature, Operating	(°C)	-35~+70
Excitation, Recommended	(V)	5~12 (DC)
Excitation, Max	(V)	18 (DC)
Safe Overload	(%FS)	150
Ultimate Overload	(%FS)	300



Part Number	Capacity	Ship Weight	Price
B9E-N10-50K-9B	50K stainless dual shear beam	22 lb	\$1,340
B9E-N10-50K-9F	50K stainless dual shear beam	22 lb	\$1,370
B9E-N10-60K-9B	60K stainless dual shear beam	22 lb	\$1,340
B9E-N10-60K-9F	60K stainless dual shear beam	22 lb	\$1,370
B9E-N10-65K-9B	65K stainless dual shear beam	22 lb	\$1,340
B9E-N10-65K-9F	65K stainless dual shear beam	22 lb	\$1,370
B9E-N10-75K-9B	75K stainless dual shear beam	22 lb	\$1,340
B9E-N10-75K-9F	75K stainless dual shear beam	22 lb	\$1,370
B9E-N10-100K-9B	100K stainless dual shear beam	22 lb	\$1,340
B9E-N10-100K-9F	100K stainless dual shear beam	22 lb	\$1,340
B9E-N10-125K-9B	125K stainless dual shear beam	22 lb	\$1,340
B9E-N10-125K-9F	125K stainless dual shear beam	22 lb	\$1,370
B9E-N10-150K-9B	150K stainless dual shear beam	22 lb	\$1,340
B9E-N10-150K-9F	150K stainless dual shear beam	22 lb	\$1,370



Wiring:
 Shielded 4 conductor cable: Φ5mm
 Standard Cable Length: 9.3m

Compatible Products	
Manufacturer	Model
Revere	9223



HM9E

- HM9E load cells are available in the capacities 5Klb~250Klb
- Alloy steel construction, hermetically welded, oil proof, waterproof, anti-corrosive gas and medium sized making it suitable for all kinds of environments
- Dual shear beam, suitable for electronic truck scales, automobile testing facilities, track scales and other electronic weighing devices

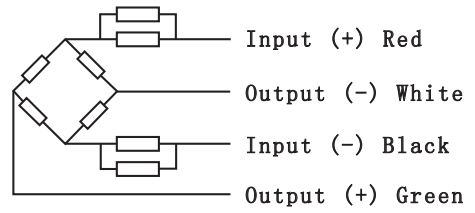
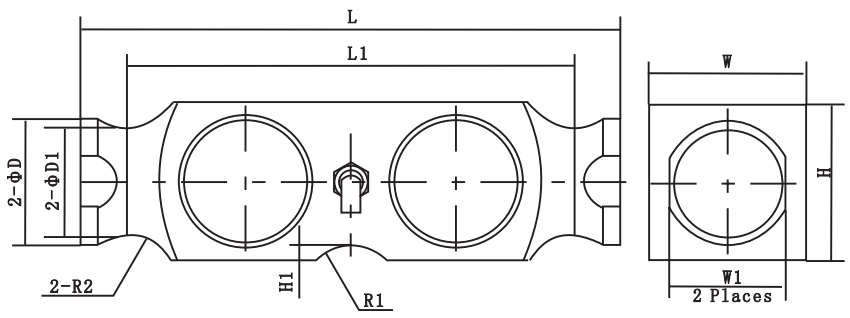
Features

- Capacities: 50K~200Klb
- High accuracy
- Alloy steel construction
- Easy installation and reliable performance
- OIML Cert. No.: R60/2000-NL1-10.15
- NTEP Cert. No.: CC10-057A1



Specifications		
Capacity	Klb	50/65/100/125/200
Accuracy		N10
Maximum Number of Verification Intervals	Nmax	10000
Minimum Load Cell Verification Intervals	Vmin	Emax/10000
Combined Error	(%FS)	±0.020
Creep	(%FS/30min)	±0.020
Temperature Effect on Sensitivity	(%FS/10°C)	±0.014
Temperature Effect on Zero	(%FS/10°C)	±0.017
Output Sensitivity	(mV/V)	3.0±0.003
Input Resistance	(Ω)	700±7
Output Resistance	(Ω)	703±4
Insulation Resistance	(MΩ)	≥5000 (50VDC)
Zero Balance	(%FS)	1.0
Temperature, Compensated	(°C)	-10~+40
Temperature, Operating	(°C)	-35~+70
Excitation, Recommended	(V)	5~12 (DC)
Excitation, Max	(V)	18 (DC)
Safe Overload	(%FS)	150
Ultimate Overload	(%FS)	300

Outline Dimensions mm (inch)											
Dimension	L	L1	H	H1	W	W1	ΦD	ΦD1	R1	R2	
Capacity											
500Klb~125Klb	260 (10.24)	215.9 (8.5)	76.2 (3.0)	7 (0.28)	76 (2.99)	55.9 (2.2)	Φ61 (2.4)	Φ52.3 (2.06)	R25.4 (1.0)	R25.4 (1.0)	
200Klb	304 (11.97)	254 (10.0)	86.36 (3.4)	10 (0.39)	86.36 (3.40)	63.5 (2.5)	Φ70 (2.76)	Φ59.7 (2.35)	R38.1 (1.5)	R38.1 (1.5)	



Wiring:
 Shielded 4 conductor cable
 Standard Cable Length: 12.2m
 Cable Diameter: Φ5mm

Part Number	Capacity	Ship Weight	Price
HM9E-N10-50K	50K alloy dual shear beam	20 lb	\$850
HM9E-N10-65K	65K alloy dual shear beam	22 lb	\$850
HM9E-N10-100K	100K alloy dual shear beam	22 lb	\$930
HM9E-N10-125K	125K alloy dual shear beam	22 lb	\$930
HM9E-N10-200K	200K alloy dual shear beam	31 lb	\$1,335

Compatible Products	
Manufacturer	Model
Revere	5223
Celtron	HED
Sensortronics	65040-1127W
Coti	CI-5223
Artech	80210
Rice Lake	RL75223
Thurman	TSC800



B9F

- B9F load cells are available in the capacities 10Klb~75Klb
- Stainless steel construction, potted by adhesive inside, oil proof, waterproof, anti-corrosive gas and medium sized making it suitable for all kinds of environments
- Dual shear beam, suitable for electronic truck scales, hopper scales, track scales, and other electronic weighing devices

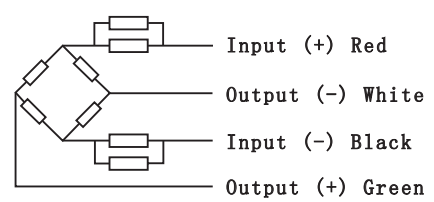
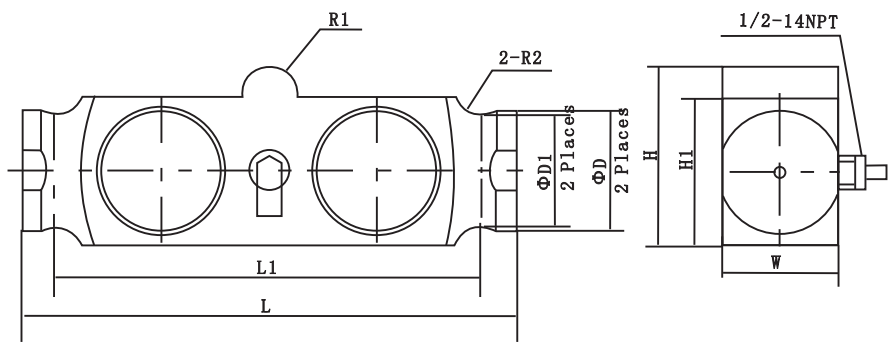


Features

- Capacities: 10K~75Klb
- High accuracy
- Stainless steel construction
- Easy installation and reliable performance

Specifications		
Capacity	Klb	10/15/20/25/30/40/50/60/75
Accuracy		N10 Equivalent
Maximum Number of Verification Intervals	Nmax	10000
Minimum Load Cell Verification Intervals	Vmin	E _{max} /10000
Combined Error	(%FS)	±0.020
Creep	(%FS/30min)	±0.020
Temperature Effect on Sensitivity	(%FS/10°C)	±0.014
Temperature Effect on Zero	(%FS/10°C)	±0.017
Output Sensitivity	(mV/V)	3.0±0.003
Input Resistance	(Ω)	700±7
Output Resistance	(Ω)	703±4
Insulation Resistance	(MΩ)	≥5000 (50VDC)
Zero Balance	(%FS)	1.0
Temperature, Compensated	(°C)	-10~+40
Temperature, Operating	(°C)	-35~+70
Excitation, Recommended	(V)	5~12 (DC)
Excitation, Max	(V)	18 (DC)
Safe Overload	(%FS)	150
Ultimate Overload	(%FS)	300

Outline Dimensions mm (inch)									
Dimension	L	L1	H	H1	W	ΦD	ΦD1	R1	R2
Capacity									
10Klb~25Klb	203.2 (8.0)	180.95 (7.12)	58.8 (2.31)	49.28 (1.94)	36.58 (1.44)	Φ25.4 (1.0)	Φ20.32 (0.8)	R9.52 (0.38)	R9.53 (0.37)
40Klb~75Klb	215.9 (8.5)	184.15 (7.25)	76.12 (3.0)	62.23 (2.45)	49.53 (1.95)	Φ50.8 (2.0)	Φ44.45 (1.75)	R12.7 (0.5)	R19.05 (0.75)



Wiring:
Shielded 4 conductor cable: Φ5mm
Standard Cable Length: 9.3m

Part Number	Capacity	Ship Weight	Price
B9F-N10-10K-9B	10K stainless dual shear beam	9 lb	\$890
B9F-N10-15K-9B	15K stainless dual shear beam	9 lb	\$890
B9F-N10-20K-9B	20K stainless dual shear beam	9 lb	\$890
B9F-N10-25K-9B	25K stainless dual shear beam	9 lb	\$890
B9F-N10-30K-9B	30K stainless dual shear beam	13 lb	\$1,015
B9F-N10-40K-9B	40K stainless dual shear beam	13 lb	\$1,015
B9F-N10-50K-9B	50K stainless dual shear beam	13 lb	\$1,015
B9F-N10-60K-9B	60K stainless dual shear beam	13 lb	\$1,015
B9F-N10-75K-9B	75K stainless dual shear beam	13 lb	\$1,015

Compatible Products	
Manufacturer	Model
Revere	9223
Celtron	DLB SS
Sensortronics	65040S
Coti	BE40-SSW
Rice Lake	RL75040A
Thurman	TSC840



B9H

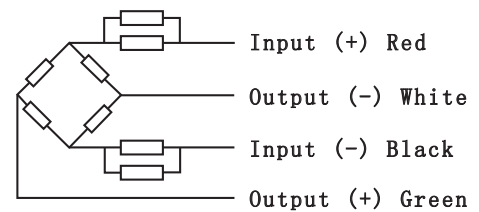
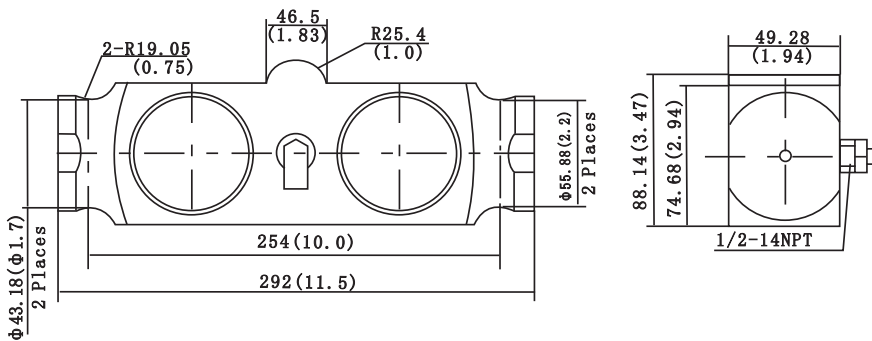
- B9H load cells are available in the capacities 50Klb~100Klb
- Stainless steel construction, potted by adhesive inside, oil proof, waterproof, anti-corrosive gas and medium sized making it suitable for all kinds of environments
- Dual shear beam, suitable for electronic truck scales, hopper scales, track scales, and other electronic weighing devices

Features

- Capacities: 50K~100Klb
- High accuracy
- Alloy steel construction
- Easy installation and reliable performance



Specifications		
Capacity	Klb	50/60/75/100
Accuracy		N10 Equivalent
Maximum Number of Verification Intervals	Nmax	10000
Minimum Load Cell Verification Intervals	Vmin	Emax/10000
Combined Error	(%FS)	±0.020
Creep	(%FS/30min)	±0.020
Temperature Effect on Sensitivity	(%FS/10°C)	±0.014
Temperature Effect on Zero	(%FS/10°C)	±0.017
Output Sensitivity	(mV/V)	3.0±0.003
Input Resistance	(Ω)	700±7
Output Resistance	(Ω)	703±4
Insulation Resistance	(MΩ)	≥5000 (50VDC)
Zero Balance	(%FS)	1.0
Temperature, Compensated	(°C)	-10~+40
Temperature, Operating	(°C)	-35~+70
Excitation, Recommended	(V)	5~12 (DC)
Excitation, Max	(V)	18 (DC)
Safe Overload	(%FS)	150
Ultimate Overload	(%FS)	300



Wiring:

Shielded 4 conductor cable: Φ5mm
Standard Cable Length: 19.3m

Part Number	Capacity	Ship Weight	Price
B9H-N10-50K-9B	50K stainless dual shear beam	22 lb	\$1,295
B9H-N10-50K-9F	50K stainless dual shear beam	22 lb	\$1,325
B9H-N10-60K-9B	60K stainless dual shear beam	22 lb	\$1,295
B9H-N10-60K-9F	60K stainless dual shear beam	22 lb	\$1,325
B9H-N10-75K-9B	75K stainless dual shear beam	22 lb	\$1,295
B9H-N10-75K-9F	75K stainless dual shear beam	22 lb	\$1,325
B9H-N10-100K-9B	100K stainless dual shear beam	22 lb	\$1,295
B9H-N10-100K-9F	100K stainless dual shear beam	22 lb	\$1,325

Compatible Products	
Manufacturer	Model
Revere	9903
Celtron	DLB SS
Sensortronics	65040S
Coti	BE40-SSW
Rice Lake	RL75040A



H9H

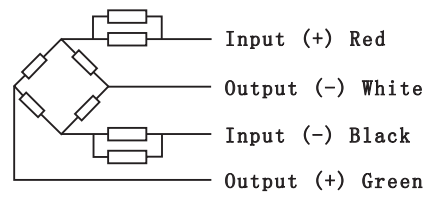
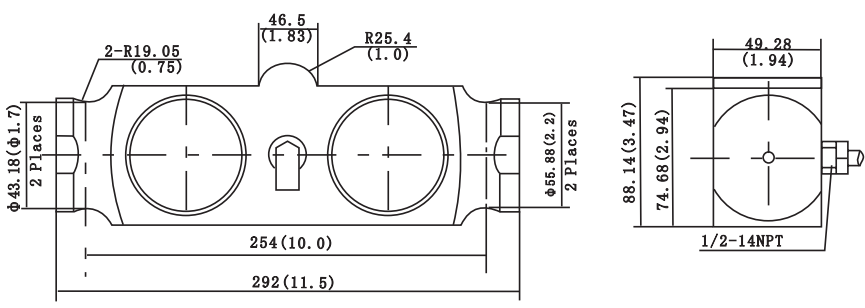
- H9H load cells are available in the capacities 50Klb~100Klb
- Alloy steel construction, potted by adhesive inside, oil proof, waterproof, anti-corrosive gas and medium sized making it suitable for all kinds of environments
- Dual shear beam, suitable for electronic truck scales, hopper scales, track scales and other electronic weighing devices

Features

- Capacities: 50K~100Klb
- High accuracy
- Stainless steel construction
- Easy installation and reliable performance



Specifications		
Capacity	Klb	50/60/75/100
Accuracy		N10 Equivalent
Maximum Number of Verification Intervals	Nmax	10000
Minimum Load Cell Verification Intervals	Vmin	Emax/10000
Combined Error	(%FS)	±0.020
Creep	(%FS/30min)	±0.020
Temperature Effect on Sensitivity	(%FS/10°C)	±0.014
Temperature Effect on Zero	(%FS/10°C)	±0.017
Output Sensitivity	(mV/V)	3.0±0.003
Input Resistance	(Ω)	700±7
Output Resistance	(Ω)	703±4
Insulation Resistance	(MΩ)	≥5000 (50VDC)
Zero Balance	(%FS)	1.0
Temperature, Compensated	(°C)	-10~+40
Temperature, Operating	(°C)	-35~+70
Excitation, Recommended	(V)	5~12 (DC)
Excitation, Max	(V)	18 (DC)
Safe Overload	(%FS)	150
Ultimate Overload	(%FS)	300



Wiring:
Shielded 4 conductor cable: Φ5mm
Standard Cable Length: 5m

Part Number	Capacity	Ship Weight	Price
H9H-N10-50K-9B	50K alloy dual shear beam	22 lb	\$840
H9H-N10-50K-9F	50K alloy dual shear beam	22 lb	\$870
H9H-N10-60K-9B	60K alloy dual shear beam	22 lb	\$840
H9H-N10-60K-9F	60K alloy dual shear beam	22 lb	\$870
H9H-N10-75K-9B	75K alloy dual shear beam	22 lb	\$840
H9H-N10-75K-9F	75K alloy dual shear beam	22 lb	\$870
H9H-N10-100K-9B	100K alloy dual shear beam	22 lb	\$840
H9H-N10-100K-9F	100K alloy dual shear beam	22 lb	\$870

Compatible Products	
Manufacturer	Model
Celtron	DLB
Sensortronics	65040A
Coti	BE40
Artech	80310
Rice Lake	RL75040
Totalcomp	TDE40
Thurman	TSC840
Vishay	DLB



B9N

- B9N load cells are available in the capacities 10Klb~125Klb
- Stainless steel construction, potted by adhesive inside, oil proof, waterproof, anti-corrosive gas and medium sized making it suitable for all kinds of environments
- Dual shear beam, suitable for electronic truck scales, hopper scales, track scales and other electronic weighing devices



Features

- Capacities: 10lb~125Klb
- High accuracy
- Stainless steel construction
- Easy installation and reliable performance

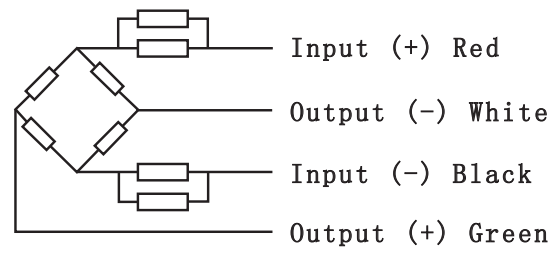
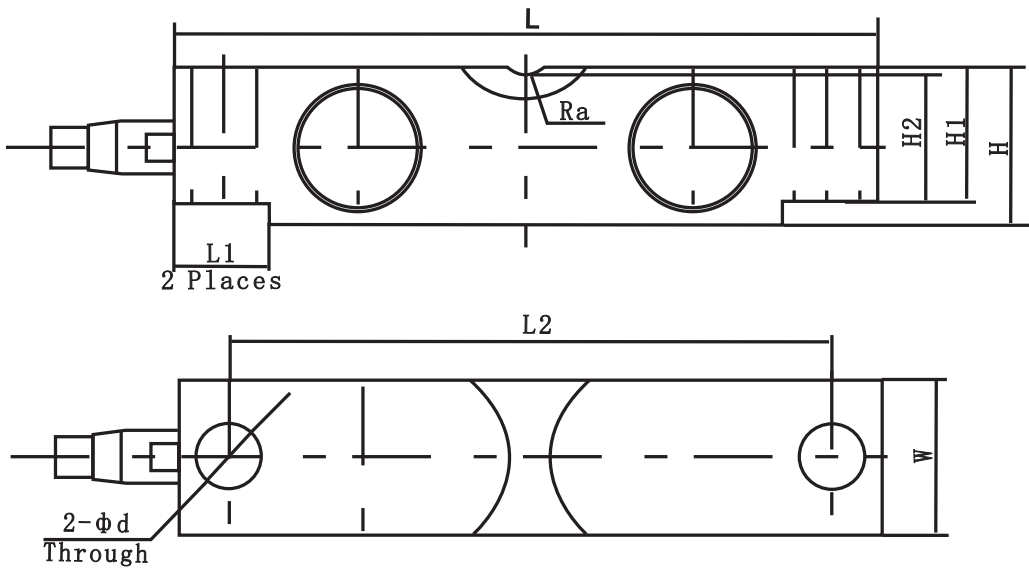
Specifications		
Capacity	Klb	10/15/20/25/30/40/50/60/75/100/125
Accuracy		N10 Equivalent
Maximum Number of Verification Intervals	Nmax	10000
Minimum Number of Verification Intervals	Vmin	E _{max} /10000
Combined Error	(%FS)	±0.020
Creep	(%FS/30min)	±0.020
Temperature Effect on Sensitivity	(%FS/10°C)	±0.014
Temperature Effect on Zero	(%FS/10°C)	±0.017
Output Sensitivity	(mV/V)	3.0±0.003
Input Resistance	(Ω)	700±7
Output Resistance	(Ω)	703±4
Insulation Resistance	(MΩ)	≥5000 (50VDC)
Zero Balance	(%FS)	1.0
Temperature, Compensated	(°C)	-10~+40
Temperature, Operating	(°C)	-35~+70
Excitation, Recommended	(V)	5~12 (DC)
Excitation, Max	(V)	18 (DC)
Safe Overload	(%FS)	150
Ultimate Overload	(%FS)	300

Part Number	Capacity	Ship Weight	Price
B9N-N10-10K-9B	10K stainless dual shear beam	4 lb	\$975
B9N-N10-15K-9B	15K stainless dual shear beam	4 lb	\$975
B9N-N10-20K-9B	20K stainless dual shear beam	4 lb	\$975
B9N-N10-25K-9B	25K stainless dual shear beam	4 lb	\$975
B9N-N10-30K-9B	30K stainless dual shear beam	20 lb	\$1,175
B9N-N10-40K-9B	40K stainless dual shear beam	20 lb	\$1,175
B9N-N10-50K-9B	50K stainless dual shear beam	22 lb	\$1,260
B9N-N10-60K-9B	60K stainless dual shear beam	22 lb	\$1,260
B9N-N10-75K-9B	75K stainless dual shear beam	22 lb	\$1,260
B9N-N10-100K-9B	100K stainless dual shear beam	29 lb	\$2,525
B9N-N10-125K-9B	125K stainless dual shear beam	29 lb	\$2,855

Compatible Products	
Manufacturer	Model
Revere	9303
Sensortronics	65058SS



Outline Dimensions mm (inch)									
Dimension	L	L1	L2	H	H1	H2	Φd	W	Ra
Capacity									
10~25Klb	1.97 (7.75)	35 (1.38)	165 (6.5)	49.3 (1.94)	43.2 (1.7)	41.4 (1.63)	$\Phi 17.3$ (0.68)	43 (1.7)	R19.1 (0.75)
30~40Klb	260.4 (10.25)	49 (1.93)	216 (8.5)	62 (2.44)	53.3 (2.1)	50.8 (2.0)	$\Phi 20.6$ (0.81)	49.3 (1.94)	R25.4 (1.0)
50~75Klb	260.4 (10.25)	49 (1.93)	216 (8.5)	74.7 (2.94)	67.3 (2.65)	64.5 (2.54)	$\Phi 26.9$ (1.06)	62 (2.44)	R25.4 (1.0)
100~125Klb	387.4 (15.25)	79.5 (3.13)	324 (12.76)	98 (3.86)	87.1 (3.43)	83.8 (3.3)	$\Phi 41.2$ (1.62)	73.7 (2.9)	R38.1 (1.5)



Wiring:
 Shielded 4 conductor cable: $\Phi 5\text{mm}$
 Standard Cable Length: 9.3m



H9N

- H9N load cells are available in the capacities 25Klb~200Klb
- Alloy steel construction, potted by adhesive inside, oil proof, waterproof, anti-corrosive gas and medium sized making it suitable for all kinds of environments
- Dual shear beam, suitable for electronic truck scales, hopper scales, track scales and other electronic weighing devices



Features

- Capacities: 25Klb~200Klb
- High accuracy
- Alloy steel construction
- Easy installation and reliable performance
- NTEP Cert. No.: 10-057A1

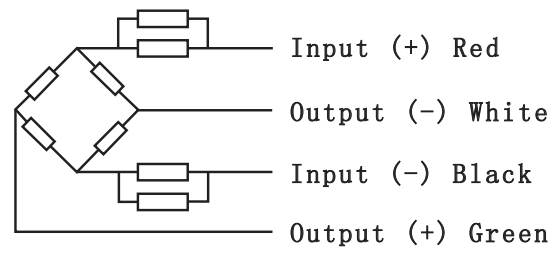
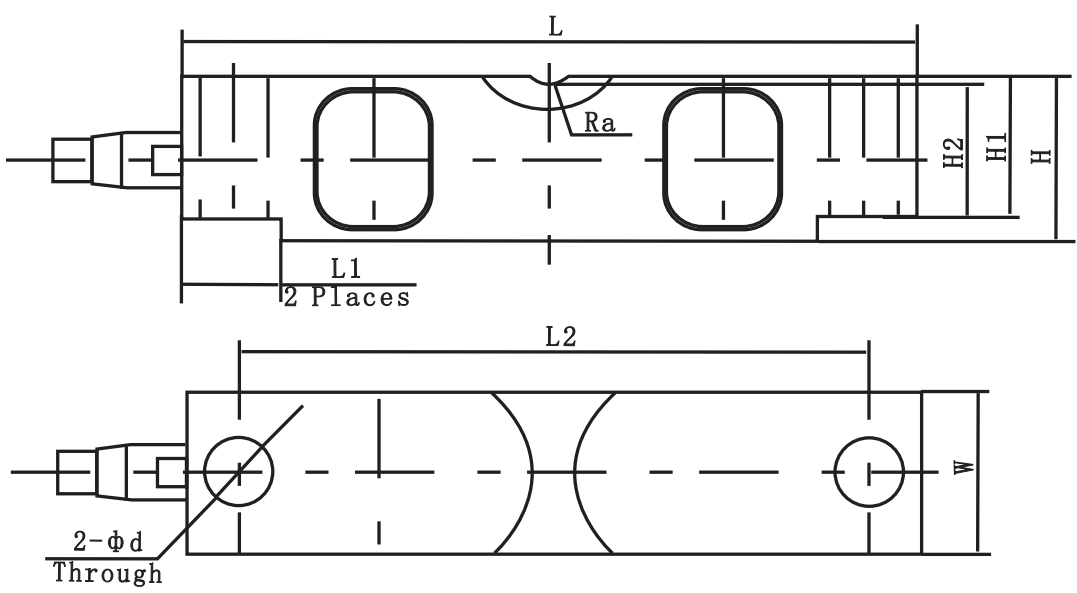
Specifications		
Capacity	Klb	25/40/50/60/75/100/125/150/200
Accuracy		N10
Maximum Number of Verification Intervals	Nmax	10000
Minimum Number of Verification Intervals	Vmin	Emax/10000
Combined Error	(%FS)	±0.020
Creep	(%FS/30min)	±0.02
Temperature Effect on Sensitivity	(%FS/10°C)	±0.014
Temperature Effect on Zero	(%FS/10°C)	±0.017
Output Sensitivity	(mV/V)	3.0±0.003
Input Resistance	(Ω)	700±7
Output Resistance	(Ω)	703±4
Insulation Resistance	(MΩ)	≥5000 (50VDC)
Zero Balance	(%FS)	1.0
Temperature, Compensated	(°C)	-10~+40
Temperature, Operating	(°C)	-35~+70
Excitation, Recommended	(V)	5~12 (DC)
Excitation, Max	(V)	18 (DC)
Safe Overload	(%FS)	150
Ultimate Overload	(%FS)	300

Part Number	Capacity	Ship Weight	Price
H9N-N10-25K-9B	25K alloy dual shear beam	4 lb	\$395
H9N-N10-40K-9B	40K alloy dual shear beam	20 lb	\$585
H9N-N10-50K-9B	50K alloy dual shear beam	22 lb	\$775
H9N-N10-60K-9B	60K alloy dual shear beam	22 lb	\$775
H9N-N10-75K-9B	75K alloy dual shear beam	22 lb	\$775
H9N-N10-100K-9B	100K alloy dual shear beam	29 lb	\$1,495
H9N-N10-125K-9B	125K alloy dual shear beam	29 lb	\$1,495
H9N-N10-150K-9B	150K alloy dual shear beam	44 lb	\$2,330
H9N-N10-200K-9B	200K alloy dual shear beam	44 lb	\$2,330

Compatible Products	
Manufacturer	Model
Celtron	DLB
Sensortronics	65058
Coti	CI-58
Rice Lake	RL75058
Vishay	CLB



Outline Dimensions mm (inch)									
Dimension	L	L1	L2	H	H1	H2	Φd	W	Ra
Capacity									
25Klb	197 (7.75)	35 (1.38)	165 (6.5)	49.3 (1.94)	43.2 (1.7)	41.4 (1.63)	Φ17.3 (0.68)	43 (1.7)	R19.1 (0.75)
40Klb	260.4 (10.25)	49 (1.93)	216 (8.5)	62 (2.44)	53.3 (2.1)	50.8 (2.0)	Φ20.6 (0.81)	49.3 (1.94)	R25.4 (1.0)
50~75Klb	260.4 (10.25)	49 (1.93)	216 (8.5)	74.7 (2.94)	67.3 (2.65)	64.5 (2.54)	Φ26.9 (1.06)	62 (2.44)	R25.4 (1.0)
100~125Klb	387.4 (15.25)	79.5 (3.13)	324 (12.76)	98 (3.86)	87.1 (3.43)	83.8 (3.3)	Φ41.2 (1.62)	73.7 (2.9)	R38.1 (1.5)
150~200Klb	489 (19.25)	127.8 (5.03)	387.4 (15.25)	147.3 (5.8)	130.1 (5.12)	112.8 (4.44)	Φ41.2 (1.62)	96.5 (3.8)	R50.8 (2.0)



Wiring:
 Shielded 4 conductor cable: Φ5mm (≤40Klb); Φ8mm (≥50Klb)
 Standard Cable Length: 9.3m

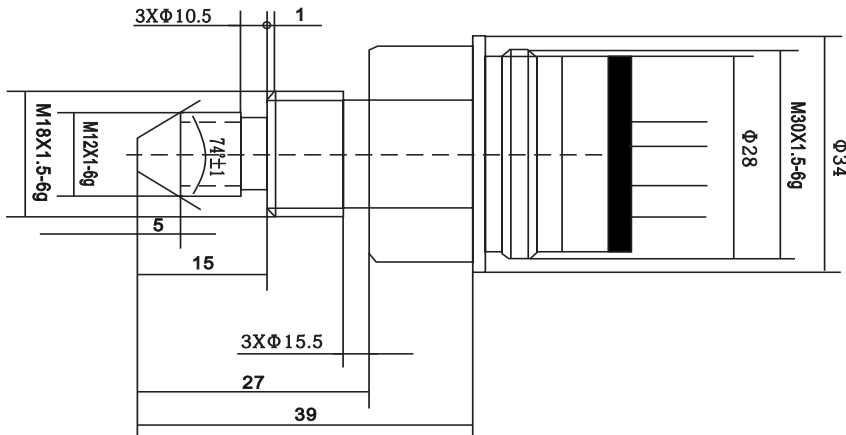


YA-6

Specifications	
Capacity	1MPa
Output Sensitivity	1.0±0.2mV/V
Nonlinearity	±0.3%F.S.
Repeatability	±0.3%F.S.
Hysteresis	±0.5%F.S.
Temperature Effect on Zero	±0.3%F.S./10°C
Temperature Effect on Output	±0.3%F.S./10°C
Zero Output	±0.15mV/V
Input Resistance	1000±100Ω
Output Resistance	1000±100Ω
Insulation Resistance	≥2000MΩ(50V)
Excitation Voltage	≤10V
Operation Temperature Range	-10-+40°C
Overload Capacity	150%F.S.
Recommended Use	Compression Testing



Outline Dimensions mm (inch)

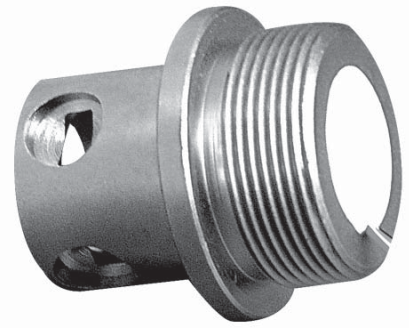


Part Number	Description	Ship Weight	Price
YA-6-1MPa	LC, alloy miniature sensor	1 lb	\$255

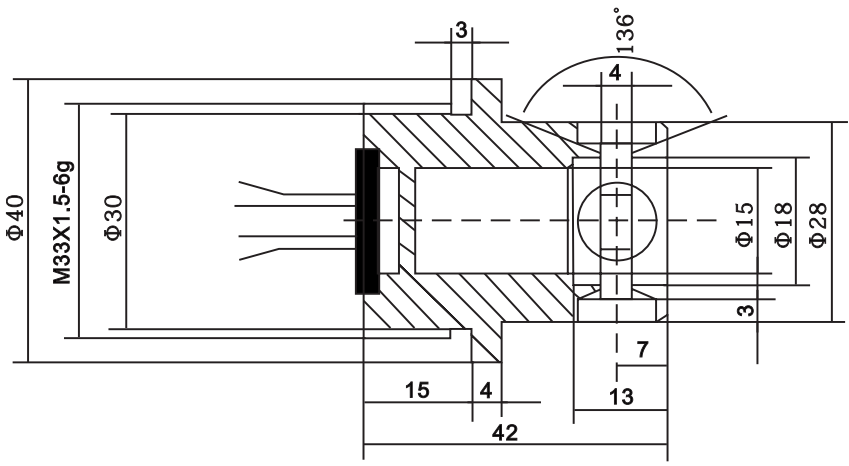


YA-7

Specifications	
Capacity	60 MPa
Output Sensitivity	2.0±0.2mV/V
Nonlinearity	±0.3%F.S.
Repeatability	±0.3%F.S.
Hysteresis	±0.3%F.S.
Temperature Effect on Zero	±0.3%F.S./10°C
Temperature Effect on Output	±0.2%F.S./10°C
Zero Output	±0.15mV/V
Input Resistance	370±50Ω
Output Resistance	350±50Ω
Insulation Resistance	≥2000MΩ(50V)
Excitation Voltage	≤10V
Operation Temperature Range	-10-+40°C
Overload Capacity	150%F.S.
Recommended Use	Compression Testing



Outline Dimensions mm (inch)



Part Number	Description	Ship Weight	Price
YA-7-60MPa	LC, alloy miniature sensor	1 lb	\$250

Pressure Sensor



BM3

- BM3 load cells are available in the capacities 1t~7.5t
- Stainless steel, hermetically welded, oil-proof, waterproof and anti-corrosion, suitable for all kinds of environments
- S beam design, tension and/or compression loading possible, easy installation, suitable for electronic crane scale, hopper scale and other electronic weighing devices
- Safe and anti-explosive product, can be used in atrocious environments and hazardous areas

Features

- Capacities: 1t~7.5t
- High accuracy
- Stainless steel construction
- Low profile
- PTB Approval No.: D09-08.01
- NTEP Cert. No.: CC06-099A1

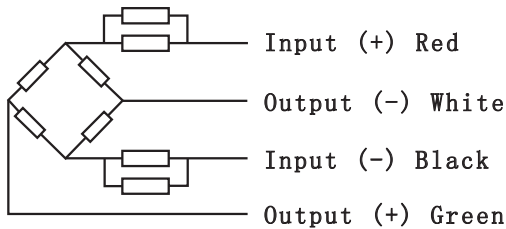
Accessory

- HL-3-001
- HL-3-002
- HL-3-003
- HL-3-004
- HL-3-005



Specifications		
Capacity	t	1/2/3/4/5/6
Accuracy		C3
Approvals		OIML R60 C3
Maximum Number of Verification Intervals	Nmax	3000
Minimum Number of Verification Intervals	Vmin	Emax/10000
Combined Error	(%FS)	±0.020
Creep	(%FS/30min)	±0.016
Temperature Effect on Sensitivity	(%FS/10°C)	±0.011
Temperature Effect on Zero	(%FS/10°C)	±0.015
Output Sensitivity	(mV/V)	2.0±0.004
Input Resistance	(Ω)	350±3.5
Output Resistance	(Ω)	351±2.0
Insulation Resistance	(MΩ)	≥5000 (50VDC)
Zero Balance	(%FS)	1.5
Temperature, Compensated	(°C)	-10~+40
Temperature, Operating	(°C)	-35~+70
Excitation, Recommended	(V)	5~12 (DC)
Excitation, Max	(V)	18 (DC)
Safe Overload	(%FS)	150
Ultimate Overload	(%FS)	300

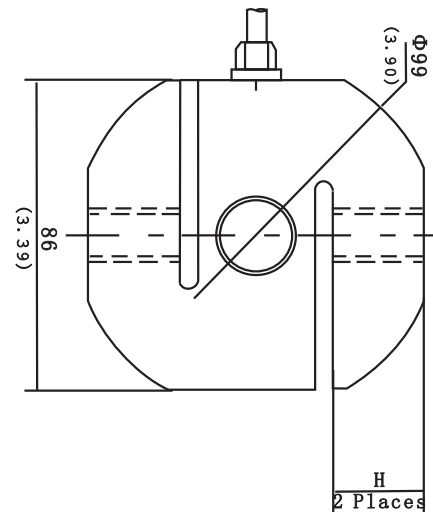
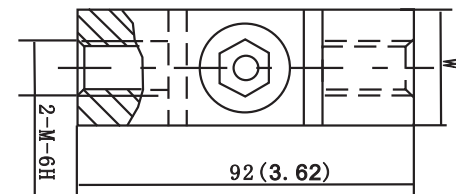
Outline Dimensions mm (inch)			
Dimension (mm)	W	M	H
Capacity (t)			
1.0	32 (1.26)	M12x1.75	25 (0.98)
2.0-2.5	32 (1.26)	M20x1.15	25 (0.98)
3.0	32 (1.26)	M20x1.15	25 (0.98)
4.0	36 (1.42)	M20x1.5	25 (0.98)
5.0	50 (1.97)	M24x2	24 (0.94)
6.0	50 (1.97)	M24x2	24 (0.94)



Wiring:

Shielded 4 conductor cable: Φ5mm
Standard Cable Length: 3m (500kg), 6m (1t~7.5t)

Part Number	Capacity	Ship Weight	Price
BM3-C3-1.0t-3B	1T stainless "S" beams metric	4 lb	\$370
BM3-C3-2.0t-3B	2T stainless "S" beams metric	4 lb	\$370
BM3-C3-3.0t-3B	3T stainless "S" beams metric	4 lb	\$370
BM3-C3-4.0t-3B	4T stainless "S" beams metric	4 lb	\$370
BM3-C3-5.0t-3B	5T stainless "S" beams metric	7 lb	\$455
BM3-C3-6.0t-3B	6T stainless "S" beams metric	7 lb	\$455





L3V

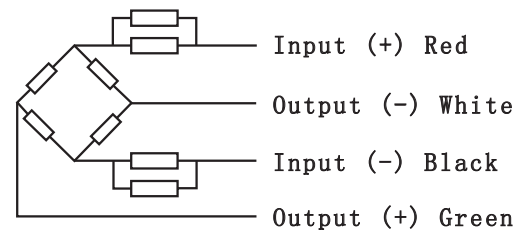
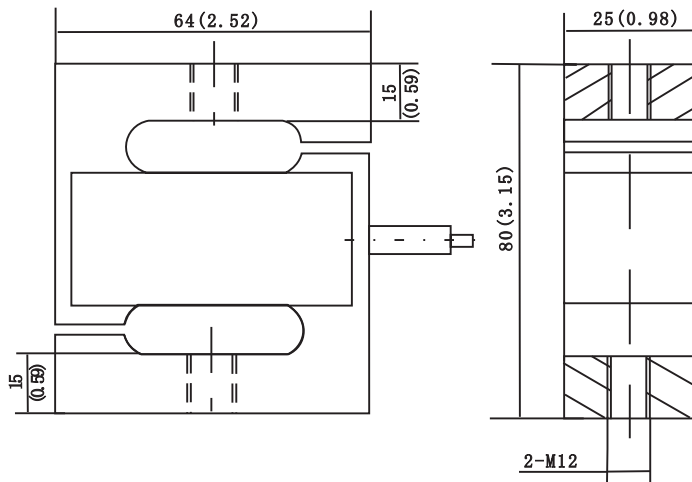
- L3V load cells are available in the capacities 200kg and 500kg
- Aluminum material, sealed with silicon adhesive, surface spraying plastic with good resistance against corrosion
- Integral construction, easy installation
- Suitable for textile machinery measuring and other electronic measuring fields

Features

- Capacities: 200kg~500kg
- High accuracy
- Aluminum S beam
- High reliability



Specifications		
Capacity	kg	200/500
Accuracy		C2
Maximum Number of Verification Intervals	Nmax	2000
Minimum Load Cell Verification Interval	Vmin	Emax/5000
Combined Error	(%FS)	≤±0.030
Creep	(%FS/30min)	≤±0.024
Temperature Effect on Sensitivity	(%FS/10°C)	≤±0.03
Temperature Effect on Zero	(%FS/10°C)	≤±0.5
Output Sensitivity	(mV/V)	2.3±0.2
Input Resistance	(Ω)	410±30
Output Resistance	(Ω)	351±2
Insulation Resistance	(MΩ)	≥5000 (50VDC)
Zero Balance	(%FS)	2
Temperature, Compensated	(°C)	-10~+40
Temperature, Operating	(°C)	-35~+65
Excitation, Recommended	(V)	5~12 (DC)
Excitation, Max	(V)	18 (DC)
Safe Overload	(%FS)	120
Ultimate Overload	(%FS)	150



Wiring:

Shielded 4 conductor cable: Φ5mm, 3±0, 2mm, and cable jacket is PVC
Standard Cable Length: 2.6±0.1m

Part Number	Capacity	Ship Weight	Price
L3V-C2-0.2t-2.6	200KG aluminum "S" beams metric	2 lb	\$355
L3V-C2-0.5t-2.7	500KG aluminum "S" beams metric	2 lb	\$355



H3

- H3 load cells are available in the capacities 25kg~30t and 100lb~20Klb
- Alloy steel, sealed by adhesive inside, oil-proof, waterproof and anti-corrosion, suitable for all kinds of environments
- S beam design, tension and/or compression loading possible, easy installation, suitable for crane scale, mechanical conversion scale, hopper scale and other electronic weighing devices
- Safe and anti-explosive product, can be used in atrocious environments and hazardous areas

Features

- Capacity: 25kg~30t; 100lb~20Klb
- High accuracy
- Alloy steel construction
- Low profile

Accessory

- OIML Cert. No.: R60/2000-CN-00.01
- PTB Approval No: D09-03.18 Revision 2
- NTEP Cert. No.: CC06-099A1
- HL-3-001
- HL-3-002
- HL-3-003
- HL-3-004
- HL-3-005



Specifications			
Capacity	t	25kg/50kg/100kg/150kg/200kg/250kg/300kg/500kg/600kg/750kg/1t/1.5t/2t/2.5t/3t/5t/7.5t/10t/15t/20t/30t	
	lb	100/150/200/250/300/500/750/1K/1.5K/2K/2.5K/3K/5K/10K/15K/20K	
Accuracy		C3	N10
Approvals		OIML R60 C3	
Maximum Number of Verification Intervals	Nmax	3000	10000
Minimum Load Cell Verification Intervals	Vmin	Emax/10000	Emax/10000
Combined Error	(%FS)	±0.020	±0.20
Creep	(%FS/30min)	±0.016	±0.020
Temperature Effect on Sensitivity	(%FS/10°C)	±0.011	±0.014
Temperature Effect on Zero	(%FS/10°C)	±0.015	±0.017
Output Sensitivity	(mV/V)	2.0±0.004 (Metric) 3.0±0.008 (Imperial)	
Input Resistance	(Ω)	350±3.5	
Output Resistance	(Ω)	351±2.0	
Insulation Resistance	(MΩ)	≥5000 (50VDC)	
Zero Balance	(%FS)	1.5 (Metric)	1.0 (Imperial)
Temperature, Compensated	(°C)	-10~+40	
Temperature, Operating	(°C)	-35~+70	
Excitation, Recommended	(V)	5~12 (DC)	
Excitation, Max	(V)	18 (DC)	
Safe Overload	(%FS)	150	
Ultimate Overload	(%FS)	300	

Outline Dimensions mm (inch)						
Dimension (mm)	H	L	W1	W	M	H1±0.4
Capacity (t)						
25kg~50kg	76.2 (3.0)	50.8 (2.0)	12.7 (0.5)	16.1 (0.63)	M8	15.7 (0.62)
0.1t~0.15t	76.2 (3.0)	50.8 (2.0)	19.0 (0.75)	22.4 (0.88)	M10x1.5	15.3 (0.60)
0.2t~0.75t	76.2 (3.0)	50.8 (2.0)	19.0 (0.75)	22.4 (0.88)	M10x1.5	15.3 (0.60)
1t~1.5t	76.2 (3.0)	50.8 (2.0)	25.4 (1.0)	28.8 (1.13)	M12x1.75	12.1 (0.18)
2t~5t	101.6 (4.0)	76.2 (3.0)	25.4 (1.0)	28.8 (1.13)	M20x1.5	20 (0.79)
7.5t~10t	175 (6.89)	125 (4.92)	50 (1.97)	-	M33x3	40.2 (1.58)
15t~20t	200 (7.89)	160 (6.3)	60 (2.36)	-	M42x3	51 (2.01)
30t	230 (9.06)	190 (7.48)	80 (3.15)	-	M42x3	57.5 (2.26)
100lb~300lb	63.5 (2.5)	50.8 (2.0)	12.7 (0.5)	15.9 (0.63)	1/4-28UNF	10.16 (0.4)
500lb	63.5 (2.5)	50.8 (2.0)	19.05 (0.75)	22.25 (0.88)	1/2-20UNF	
0.75Klb~1.5Klb	63.5 (2.5)	50.8 (2.0)	19.05 (0.75)	22.25 (0.88)	1/2-20UNF	
2Klb~2.5Klb	63.5 (2.5)	50.8 (2.0)	25.4 (1.0)	28.6 (1.13)	1/2-20UNF	
3Klb	101.6 (4.0)	76.2 (3.0)	25.4 (1.0)	28.6 (1.13)	1/2-20UNF	15.24 (0.06)
5Klb~10Klb	101.6 (4.0)	76.2 (3.0)	25.4 (1.0)	28.6 (1.13)	3/4-16UNF	15.24 (0.06)
15Klb	139.7 (5.5)	101.6 (4.0)	31.75 (1.25)	34.95 (1.38)	1-14UNS	31 (1.22)
20Klb	177.8 (7.0)	127 (5.0)	50.8 (2.0)	54 (2.13)	1 1/4-12UNF	39.9 (1.57)



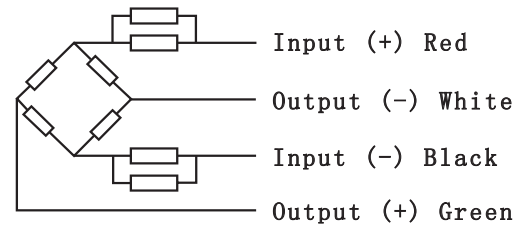
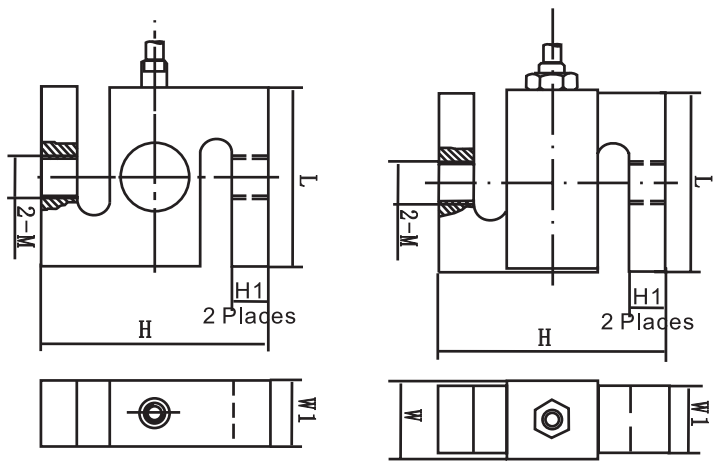
Part Number	Capacity	Ship Weight	Price
H3-C3-25KG-3B	25KG alloy "S" beam metric	2 lb	\$240
H3-C3-50KG-3B	50KG alloy "S" beam metric	2 lb	\$240
H3-C3-100KG-3B	100KG alloy "S" beam metric	2 lb	\$240
H3-C3-150KG-3B	150KG alloy "S" beam metric	2 lb	\$240
H3-C3-200KG-3B	200KG alloy "S" beam metric	2 lb	\$240
H3-C3-250KG-3B	250KG alloy "S" beam metric	2 lb	\$240
H3-C3-300KG-3B	300KG alloy "S" beam metric	2 lb	\$240
H3-C3-500KG-3B	500KG alloy "S" beam metric	2 lb	\$240
H3-C3-600KG-3B	600KG alloy "S" beam metric	2 lb	\$240
H3-C3-750KG-3B	750KG alloy "S" beam metric	2 lb	\$240
H3-C3-1.0t-3B	1T alloy "S" beam metric	2 lb	\$275
H3-C3-1.5t-3B	1.5T alloy "S" beam metric	2 lb	\$275
H3-C3-2.0t-6B	2T alloy "S" beam metric	4 lb	\$315
H3-C3-2.5t-6B	2.5T alloy "S" beam metric	4 lb	\$315
H3-C3-3.0t-6B	3T alloy "S" beam metric	4 lb	\$315
H3-C3-5.0t-6B	5T alloy "S" beam metric	4 lb	\$315
H3-C3-7.5t-6B	7.5T alloy "S" beam metric	15 lb	\$480
H3-C3-10t-6B	10T alloy "S" beam metric	15 lb	\$480
H3-C3-15t-6B	15T alloy "S" beam metric	29 lb	\$615
H3-C3-20t-6B	20T alloy "S" beam metric	29 lb	\$615
H3-C3-30t-6B	30T alloy "S" beam metric	53 lb	\$1,995
Imperial Units			
H3-N10-100-6YB	100LB alloy "S" beam imperial	2 lb	\$260
H3-N10-150-6YB	150LB alloy "S" beam imperial	2 lb	\$260
H3-N10-200-6YB	200LB alloy "S" beam imperial	2 lb	\$260
H3-N10-250-6YB	250LB alloy "S" beam imperial	2 lb	\$260
H3-N10-300-6YB	300LB alloy "S" beam imperial	2 lb	\$260
H3-N10-500-6YB	500LB alloy "S" beam imperial	2 lb	\$260
H3-N10-750-6YB	750LB alloy "S" beam imperial	2 lb	\$260
H3-N10-1K-6YB	1K alloy "S" beam imperial	2 lb	\$260
H3-N10-1.5K-6YB	1.5K alloy "S" beam imperial	2 lb	\$260
H3-N10-2.0K-6YB	2K alloy "S" beam imperial	2 lb	\$275
H3-N10-2.5K-6YB	2.5K alloy "S" beam imperial	2 lb	\$275
H3-N10-3K-6YB	3K alloy "S" beam imperial	4 lb	\$275
H3-N10-5K-6YB	5K alloy "S" beam imperial	4 lb	\$315
H3-N10-10K-6YB	10K alloy "S" beam imperial	4 lb	\$315
H3-N10-15K-6YB	15K alloy "S" beam imperial	15 lb	\$480
H3-N10-20K-6YB	20K alloy "S" beam imperial	15 lb	\$480

Compatible Products	
Manufacturer	Model
Celtron	STC
Sensortronics	60001-0221 Compact
Coti	CISB

S Beam

7.5t-30t

25kg-5t 0.1-20klb



Wiring:
 Shielded 4 conductor cable: $\Phi 5\text{mm}$
 Standard Cable Length: 3m (0.5t~0.75t),
 6m (1t~30t), (0.1l;b~20klb)



H3F

- H3F load cells are available in the capacities 0.1t~5t and 250lb~20Klb
- Alloy steel, sealed by adhesive inside, oil-proof, waterproof and anti-corrosion, suitable for all kinds of environments.
- S beam design, tension and/or compression loading possible, easy installation, suitable for crane scale, mechanical conversion scale, hopper scale and other electronic weighing devices
- Safe and anti-explosive product, can be used in atrocious environments and hazardous areas.

Features

- Capacities: 0.1t~5t; 250lb~20Klb
- High accuracy
- Alloy steel construction
- Low profile
- NTEP Cert. No.: CC06-099A1

Accessory

- HL-3-001
- HL-3-002
- HL-3-003
- HL-3-004
- HL-3-005



Specifications			
Capacity	t	100kg/250kg/500kg/750kg/1t/1.5t/2t/2.5t/5t	
	lb	250/500/750/1K/1.5K/2K/2.5K/3K/5K/7.5K/10K/15K/20K	
Accuracy		C3	N5
Maximum Number of Verification Intervals	Nmax	3000	5000
Minimum Load Cell Verification Intervals	Vmin	Emax/5000	
Combined Error	(%FS)	±0.020	
Creep	(%FS/30min)	±0.016	
Temperature Effect on Sensitivity	(%FS/10°C)	±0.011	
Temperature Effect on Zero	(%FS/10°C)	±0.015	
Output Sensitivity	(mV/V)	3.0±0.008	
Input Resistance	(Ω)	350±3.5	
Output Resistance	(Ω)	351±2.0	
Insulation Resistance	(MΩ)	≥5000 (50VDC)	
Zero Balance	(%FS)	1.0	
Temperature, Compensated	(°C)	-10~+40	
Temperature, Operating	(°C)	-35~+70	
Excitation, Recommended	(V)	5~12 (DC)	
Excitation, Max	(V)	18 (DC)	
Safe Overload	(%FS)	150	
Ultimate Overload	(%FS)	300	

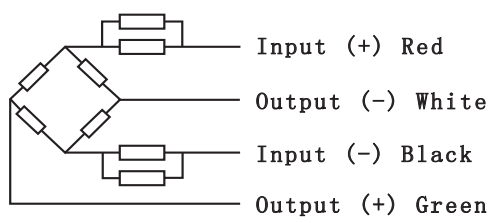
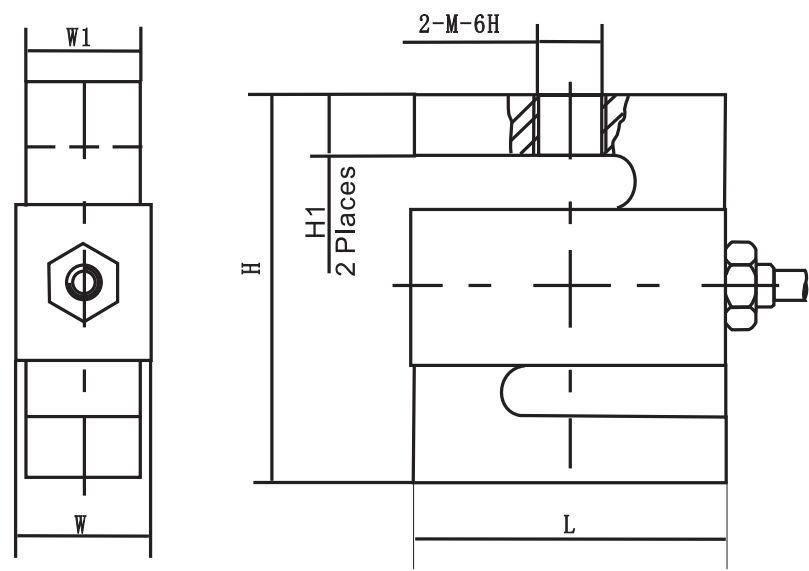
Part Number	Capacity	Ship Weight	Price
H3FC3-100KG-6T	100KG alloy "S" beam metric	2 lb	\$260
H3FC3-250KG-6T	250KG alloy "S" beam metric	2 lb	\$260
H3FC3-500KG-6T	500KG alloy "S" beam metric	2 lb	\$260
H3FC3-750KG-6T	750KG alloy "S" beam metric	2 lb	\$260
H3FC3-1.0t-6T	1T alloy "S" beam metric	4 lb	\$275
H3FC3-1.5t-6T	1.5T alloy "S" beam metric	4 lb	\$275
H3FC3-2.0t-6T	2T alloy "S" beam metric	4 lb	\$315
H3FC3-2.5t-6T	2.5T alloy "S" beam metric	4 lb	\$315
H3FC3-5.0t-6T	5.0T alloy "S" beam metric	4 lb	\$315
Imperial			
H3F-N5-250-6YT	250LB alloy "S" beam imperial	2 lb	\$260
H3F-N5-500-6YT	500LB alloy "S" beam imperial	2 lb	\$260
H3F-N5-750-6YT	750LB alloy "S" beam imperial	2 lb	\$260
H3F-N5-1K-6YT	1K alloy "S" beam imperial	2 lb	\$260
H3F-N5-1.5K-6YT	1.5K alloy "S" beam imperial	2 lb	\$260
H3F-N5-2K-6YT	2K alloy "S" beam imperial	4 lb	\$275
H3F-N5-2.5K-6YT	2.5K alloy "S" beam imperial	4 lb	\$275
H3F-N5-3K-6YT	3K alloy "S" beam imperial	4 lb	\$275
H3F-N5-5K-6YT	5K alloy "S" beam imperial	4 lb	\$315
H3F-N5-7.5K-6YT	7.5K alloy "S" beam imperial	4 lb	\$315
H3F-N5-10K-6YT	10K alloy "S" beam imperial	4 lb	\$315
H3F-N5-15K-6YT	15K alloy "S" beam imperial	7 lb	\$480
H3F-N5-20K-6YT	20K alloy "S" beam imperial	7 lb	\$480

Compatible Products	
Manufacturer	Model
Celtron	STC
Sensortronics	60001,60036,RT1363
Cotu	CISB
Transcell	BSS



Outline Dimensions mm (inch)

Dimension (mm)	H	W	W1	L	H1	M
Capacity						
100kg	76.2 (3)	25.4 (1.0)	19 (0.75)	50.8 (2)	15.8 (0.62)	M10x1.5
250kg	76.2 (3)	25.4 (1.0)	19 (0.75)	20.8 (2)	15.12 (0.6)	M12x1.75
500kg	76.2 (3)	25.4 (1.0)	19 (0.75)	50.8 (2)	14.2 (0.56)	M12x1.75
750kg	76.2 (3)	25.4 (1.0)	19 (0.75)	50.8 (2)	13.46 (0.53)	M12x1.75
1000kg	76.2 (3)	31.8 (1.25)	25.4 (1)	50.8 (2)	13.24 (0.52)	M12x1.75
1500kg	76.2 (3)	31.8 (1.25)	25.4 (1)	50.8 (2)	12.1 (0.48)	M12x1.75
2000kg	108 (4.25)	31.8 (1.25)	25.4 (1)	76.2 (3)	26.7 (1.05)	M18x1.5
2500kg	108 (4.25)	31.8 (1.25)	25.4 (1)	76.2 (3)	25.48 (1)	M18x1.5
5000kg	108 (4.25)	31.8 (1.25)	25.4 (1)	76.2 (3)	20.26 (0.8)	M18x1.5
250lb	76.2 (3)	19 (0.75)	12.7 (0.5)	50.8 (2)	15.69 (0.62)	3/8-24UNF-2B
500lb	76.2 (3)	25.4 (1.0)	19 (0.75)	50.8 (2)	15.25 (0.6)	1/2-20UNF-2B
750lb	76.2 (3)	25.4 (1.0)	19 (0.75)	50.8 (2)	14.95 (0.59)	1/2-20UNF-2B
1klb	76.2 (3)	25.4 (1.0)	19 (0.75)	50.8 (2)	14.4 (0.57)	1/2-20UNF-2B
1.5klb	76.2 (3)	25.4 (1.0)	19 (0.75)	50.8 (2)	13.75 (0.54)	1/2-20UNF-2B
2klb	76.2 (3)	31.8 (1.25)	25.4 (1)	50.8 (2)	13.4 (0.53)	1/2-20UNF-2B
2.5klb	76.2 (3)	31.8 (1.25)	25.4 (1)	50.8 (2)	13.03 (0.51)	1/2-20UNF-2B
3klb	76.2 (3)	31.8 (1.25)	25.4 (1)	50.8 (2)	12.39 (0.49)	1/2-20UNF-2B
5klb	108 (4.25)	31.8 (1.25)	25.4 (1)	76.2 (3)	27.18 (1.07)	3/4-16UNF-2B
7.5klb	108 (4.25)	31.8 (1.25)	25.4 (1)	76.2 (3)	25.78 (1.01)	3/4-16UNF-2B
10klb	108 (4.25)	31.8 (1.25)	25.4 (1)	76.2 (3)	23.88 (0.94)	3/4-16UNF-2B
15klb	140 (5.51)	31.8 (1.25)	38.1 (1.31)	100 (3.94)	31 (1.22)	1-14UNS-2B
20klb	177.8 (7)	50.8 (2.0)	50.8 (2.0)	125.5 (4.94)	39.9 (1.57)	1 1/4-12UNF-2B



Wiring:
 Shielded 4 conductor cable: Φ 5mm
 Standard Cable Length: 6m



B3G

- B3G load cells are available in the capacities 50kg~10t and 50lb~20Klb
- Stainless steel, sealed by adhesive inside, oil-proof, waterproof and anti-corrosion, suitable for all kinds of environments
- S beam design, tension and/or compression loading possible, easy installation, suitable for crane scale, mechanical conversion scale, hopper scale and other electronic weighing devices
- Safe and anti-explosive product, can be used in atrocious environments and hazardous areas

Features

- Capacities: 50kg~10t; 50lb~20Klb
- High accuracy
- Stainless steel construction
- Low profile
- OIML Cert. No.: R60/2000-CNI-06.02
- PTB Approval No.: D09-06.07
- NTEP Cert. No.: CC06-099A1
- HL-3-001
- HL-3-002
- HL-3-003
- HL-3-004
- HL-3-005

Accessory



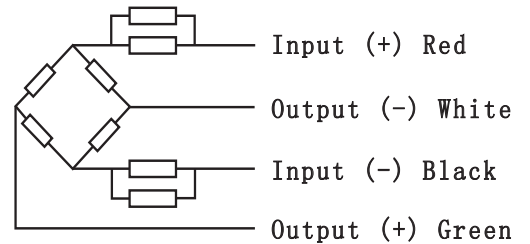
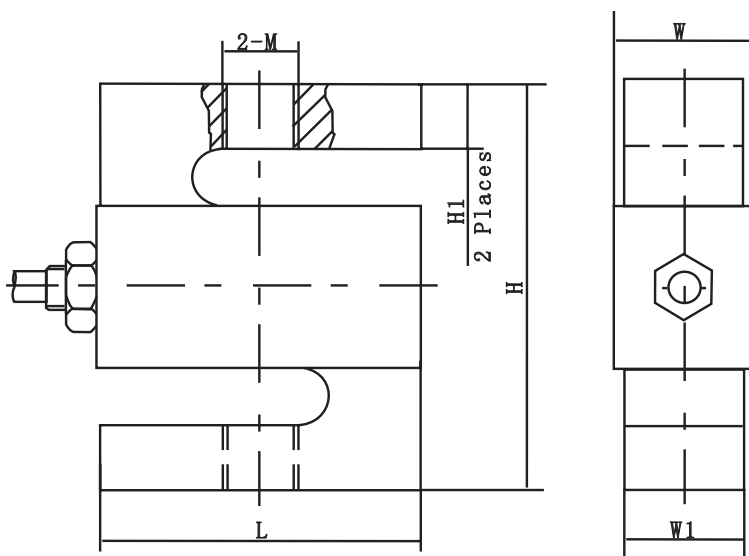
Specifications				
Capacity	t	50kg/100kg/250kg/500kg/1t/2.5t/5t/7.5t/10t		
	lb	50/75/100/150/200/250/300/500/750/1K/1.5K/2K/2.5K/3K/5K/10K/15K/20K		
Accuracy		C3	N3	N10
Approvals		OIML R60 C3		
Maximum Number of Verification Intervals	Nmax	3000	3000	10000
Minimum Load Cell Verification Intervals	Vmin	Emax/10000	Emax/3000	Emax/10000
Combined Error	(%FS)	±0.020	±0.030	±0.020
Creep	(%FS/30min)	±0.016	±0.030	±0.020
Temperature Effect on Sensitivity	(%FS/10°C)	±0.011	±0.020	±0.014
Temperature Effect on Zero	(%FS/10°C)	±0.015	±0.025	±0.017
Output Sensitivity	(mV/V)	3.0±0.008		
Input Resistance	(Ω)	430±60		
Output Resistance	(Ω)	351±2.0		
Insulation Resistance	(MΩ)	≥5000 (50VDC)		
Zero Balance	(%FS)	1.0		
Temperature, Compensated	(°C)	-10~+40		
Temperature, Operating	(°C)	-35~+70		
Excitation, Recommended	(V)	5~12 (DC)		
Excitation, Max	(V)	18 (DC)		
Safe Overload	(%FS)	150		
Ultimate Overload	(%FS)	300		

Outline Dimensions mm (inch)						
Dimension (mm)	L	H	W1	W	M	H1
Capacity						
50kg, 100kg	50.8 (2.0)	60.96 (2.4)	11.68 (0.46)	15.06 (0.59)	M8	8.89 (0.35)
50lb~300lb					1/4-28UNF	
250kg, 500kg	50.8 (2.0)	60.96 (2.4)	18.03 (0.71)	21.4 (0.84)	M12	
500lb~1.5klb					1/2-20UNF	
1t	50.8 (2.0)	60.96 (2.4)	24.38 (0.96)	27.76 (1.09)	M12	13.97 (0.55)
2, 2.5Klb					1/2-20UNF	
2.5t	76.2 (3.0)	99.06 (3.9)	24.38 (0.96)	27.76 (1.09)	M20x1.5	
3Klb					1/2-20UNF	
5t	74.68 (2.94)	99.06 (3.9)	30.74 (1.21)	34.12 (1.34)	M20x1.5	18.37 (0.72)
10Klb					3/4-16UNF	15.75 (0.62)
7.5t	87.38 (3.44)	139.7 (5.5)	37.08 (1.46)	40.46 (1.59)	M24x2	27.5 (1.08)
15Klb					1-14UNS	
10t	112.78 (4.44)	177.8 (7.0)	42.93 (1.69)	46.31 (1.82)	M30x2	39.9 (1.57)
20Klb					1 1/4-12UNS	
5klb	76.2 (3.0)	99.06 (3.9)	24.38 (0.96)	27.76 (1.09)	3/4-16UNF	13.97 (0.55)



Part Number	Capacity	Ship Weight	Price
B3G-C3-50KG-6B	50KG stainless "S" beams metric	2 lb	\$305
B3G-C3-100KG-6B	100KG stainless "S" beams metric	2 lb	\$305
B3G-C3-250KG-6B	250KG stainless "S" beams metric	2 lb	\$305
B3G-C3-500KG-6B	500KG stainless "S" beams metric	2 lb	\$305
B3G-C3-1.0t-6B	1T stainless "S" beams metric	2 lb	\$325
B3G-C3-2.5t-6B	2.5T stainless "S" beams metric	2 lb	\$395
B3G-C3-5.0t-6B	5T stainless "S" beams metric	2 lb	\$420
B3G-C3-7.5t-6B	7.5T stainless "S" beams metric	7 lb	\$560
B3G-C3-10t-6B	10T stainless "S" beams metric	13 lb	\$925
Imperial			
B3G-N3-50-6YB	50LB Stainless "S"Beams Imperial	2 lb	\$305
B3G-N3-75-6YB	75LB Stainless "S"Beams Imperial	2 lb	\$305
B3G-N3-15K-6YB	15K Stainless "S"Beams Imperial	7 lb	\$560
B3G-N3-20K-6YB	20K Stainless "S"Beams Imperial	13 lb	\$925
B3G-N10-100-6YB	100LB Stainless "S"Beams Imperial	2 lb	\$305
B3G-N10-150-6YB	150LB Stainless "S"Beams Imperial	2 lb	\$305
B3G-N10-200-6YB	200LB Stainless "S"Beams Imperial	2 lb	\$305
B3G-N10-250-6YB	250LB Stainless "S"Beams Imperial	2 lb	\$305
B3G-N10-300-6YB	300LB Stainless "S"Beams Imperial	2 lb	\$305
B3G-N10-500-6YB	500LB Stainless "S"Beams Imperial	2 lb	\$325
B3G-N10-750-6YB	750LB Stainless "S"Beams Imperial	2 lb	\$325
B3G-N10-1K-6YB	1K Stainless "S"Beams Imperial	2 lb	\$325
B3G-N10-1.5K-6Y	1.5K Stainless "S"Beams Imperial	2 lb	\$325
B3G-N10-2K-6YB	2K Stainless "S"Beams Imperial	2 lb	\$325
B3G-N10-2.5K-6Y	2.5K Stainless "S"Beams Imperial	2 lb	\$325
B3G-N10-3K-6YB	3K Stainless "S"Beams Imperial	4 lb	\$335
B3G-N10-5K-6YB	5K Stainless "S"Beams Imperial	4 lb	\$395
B3G-N10-10K-6YB	10K Stainless "S"Beams Imperial	4 lb	\$420

Compatible Products	
Manufacturer	Model
Revere	M9363
Celtron	STC
Sensortronics	60050



Wiring:
 Shielded 4 conductor cable: Φ 5mm
 Standard Cable Length: 6m



H3G

- H3G load cells are available in the capacities 50kg~7.5t and 50lb~20Klb
- Alloy steel, sealed by adhesive inside, oil-proof, waterproof and anti-corrosion, suitable for all kinds of environments
- S beam design, tension and/or compression loading possible, easy installation, suitable for crane scale, mechanical conversion scale, hopper scale and other electronic weighing devices
- Safe and anti-explosive product, can be used in atrocious environments and hazardous areas

Features

- Capacity: 50kg~10t; 150lb~20Klb
- High accuracy
- Alloy steel construction
- Low profile
- OIML Cert. No.: R60/2000-NL1-10.30
- NTEP Cert. No.: CC06-099A1

Accessory

- HL-3-001
- HL-3-002
- HL-3-003
- HL-3-004
- HL-3-005



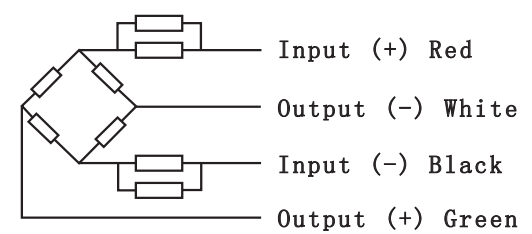
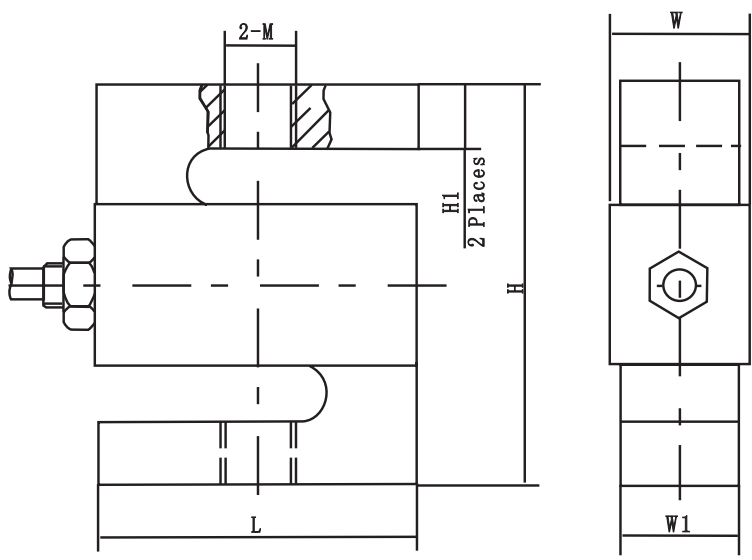
Specifications		0.05/0.1/0.25/0.5/1/2.5/5/7.5			
Capacity	t lb	50/75/100/150/200/250/300/500/750/1K/1.5K/2K/2.5K/3K/5K/10K/15K/20K			
Accuracy		C3	N3	N10	
Maximum Number of Verification Intervals	Nmax	3000	3000	10000	
Minimum Load Cell Verification Intervals	Vmin	Emax/10000	Emax/3000	Emax/10000	
Combined Error	(%FS)	≤±0.020	≤±0.030	≤±0.020	
Creep	(%FS/30min)	≤±0.016	≤±0.030	≤±0.020	
Temperature Effect on Sensitivity	(%FS/10°C)	≤±0.011	≤±0.020	≤±0.014	
Temperature Effect on Zero	(%FS/10°C)	≤±0.015	≤±0.025	≤±0.017	
Output Sensitivity	(mV/V)	3.0±0.008			
Input Resistance	(Ω)	430±60			
Output Resistance	(Ω)	351±2.0			
Insulation Resistance	(MΩ)	≥5000 (50VDC)			
Zero Balance	(%FS)	1.0			
Temperature, Compensated	(°C)	-10~+40			
Temperature, Operating	(°C)	-35~+70			
Excitation, Recommended	(V)	5~12 (DC)			
Excitation, Max	(V)	18 (DC)			
Safe Overload	(%FS)	150			
Ultimate Overload	(%FS)	300			

Outline Dimensions mm (inch)						
Dimension (mm)	L	H	W1	W	M	H1
Capacity						
50kg, 100kg 50lb~300lb	50.8 (2.0)	63.5 (2.5)	12.7 (0.5)	16.07 (0.63)	M8	10.16 (0.4)
200kg, 500kg 500lb~1.5Klb					1/4-28UNF	
1t	50.8 (2.0)	63.5 (2.5)	25.4 (1.0)	28.78 (1.13)	M12	
2, 2.5Klb					1/2-20UNF	
2.5t 3Klb	76.2 (3.0)	101.6 (4.0)	25.4 (1.0)	28.78 (1.13)	M20x1.5	15.2 (0.6)
5t					1/2-20UNF	
5Klb, 10Klb	76.2 (3.0)	101.6 (4.0)	25.4 (1.0)	28.78 (1.13)	M20x1.5	20 (0.79)
7.5t					3/4-16UNF	15.24 (0.6)
15Klb	101.6 (4.0)	139.7 (5.5)	31.75 (1.25)	35.13 (1.38)	M24x2	30 (1.18)
20Klb					1-14UNS	31 (1.22)
	127 (5.0)	177.8 (7.0)	50.8 (2.0)	54.6 (2.15)	1 1/4-12UNF	39.9 (1.57)



Part Number	Capacity	Ship Weight	Price
H3G-C3-50KG-6B	50KG alloy steel "S" beams metric	2 lb	\$240
H3G-C3-100KG-6B	100KG alloy steel "S" beams metric	2 lb	\$240
H3G-C3-250KG-6B	250KG alloy steel "S" beams metric	2 lb	\$240
H3G-C3-500KG-6B	500KG alloy steel "S" beams metric	2 lb	\$240
H3G-C3-1.0t-6B	1T alloy steel "S" beams metric	2 lb	\$260
H3G-C3-2.5t-6B	2.5T alloy steel "S" beams metric	4 lb	\$300
H3G-C3-5.0t-6B	5T alloy steel "S" beams metric	4 lb	\$300
H3G-C3-7.5t-6B	7.5T alloy steel "S" beams metric	7 lb	\$355
Imperial			
H3G-N3-50-6YB	50LB alloy steel "S" beams imperial	2 lb	\$240
H3G-N3-75-6YB	75LB alloy steel "S" beams imperial	2 lb	\$240
H3G-N3-15K-6YB	15K alloy steel "S" beams imperial	7 lb	\$355
H3G-N3-20K-6YB	20K alloy steel "S" beams imperial	18 lb	\$470
H3G-N10-100-6YB	100LB alloy steel "S" beams imperial	2 lb	\$240
H3G-N10-150-6YB	150LB alloy steel "S" beams imperial	2 lb	\$240
H3G-N10-200-6YB	200LB alloy steel "S" beams imperial	2 lb	\$240
H3G-N10-250-6YB	250LB alloy steel "S" beams imperial	2 lb	\$240
H3G-N10-300-6YB	300LB alloy steel "S" beams imperial	2 lb	\$240
H3G-N10-500-6YB	500LB alloy steel "S" beams imperial	2 lb	\$240
H3G-N10-750-6YB	750LB alloy steel "S" beams imperial	2 lb	\$240
H3G-N10-1K-6YB	1K alloy steel "S" beams imperial	2 lb	\$240
H3G-N10-1.5K-6Y	1.5K alloy steel "S" beams imperial	2 lb	\$240
H3G-N10-2K-6YB	2K alloy steel "S" beams imperial	2 lb	\$260
H3G-N10-2.5K-6Y	2.5K alloy steel "S" beams imperial	2 lb	\$260
H3G-N10-3K-6YB	3K alloy steel "S" beams imperial	4 lb	\$300
H3G-N10-5K-6YB	5K alloy steel "S" beams imperial	4 lb	\$300
H3G-N10-10K-6YB	10K alloy steel "S" beams imperial	4 lb	\$300

Compatible Products	
Manufacturer	Model
Revere	M363
Celtron	STC
Sensortronics	60001
Artech	20210
Rice Lake	RL20000/20001
Totalcomp	TS-SS
Transcell	BSA/BSS
Vishay	STC



Wiring:
 Shielded 4 conductor cable: Φ 5mm
 Standard Cable Length: 6m



HM8



- HM8 load cells are available in the capacities 500kg~50t
- Alloy steel, hermetically welded, oil-proof, waterproof and anti-corrosion, suitable for all kinds of environments
- Single shear beam, easy for installation, suitable for electronic truck scales, track scales, hopper scale and other electronic weighing devices
- Safe and anti-explosive product, can be used in atrocious environments and hazardous areas

Features

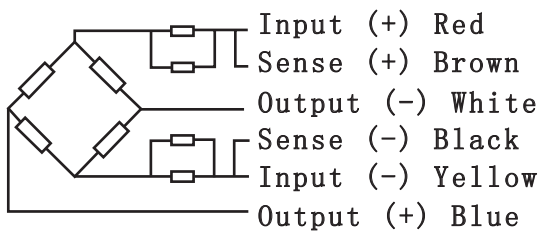
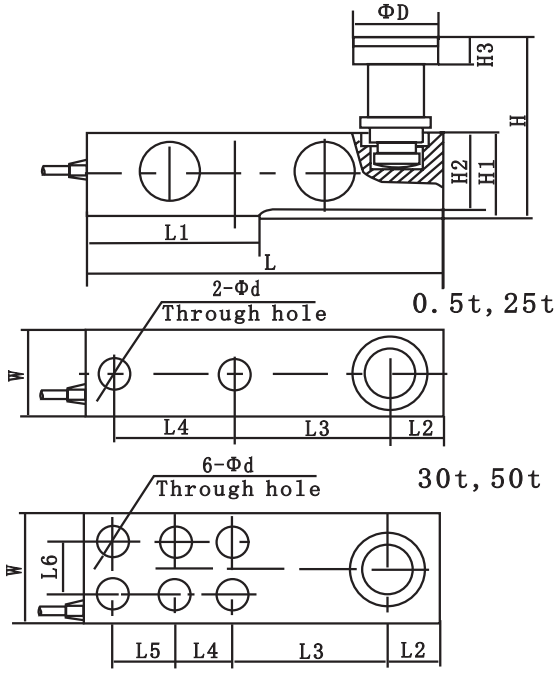
- Capacities: 500kg~50t
- Alloy steel construction
- OIML Cert. No.: R60/2000-NL1-12.14
- High accuracy
- Low profile

Specifications		
Capacity	t	500kg/1/2/2.5/3/5/10/15/20/25/30/50
Accuracy		C3
Maximum Number of Verification Intervals	Nmax	3000
Minimum Number of Verification Intervals	Vmin	E _{max} /10000
Combined Error	(%FS)	≤±0.020
Creep	(%FS/30min)	≤±0.016
Temperature Effect on Sensitivity	(%FS/10°C)	≤±0.011
Temperature Effect on Zero	(%FS/10°C)	≤±0.015
Output Sensitivity	(mV/V)	2.0±0.002
Input Resistance	(Ω)	350±3.5
Output Resistance	(Ω)	352±3.0
Insulation Resistance	(MΩ)	≥5000 (50VDC)
Zero Balance	(%FS)	1.5
Temperature, Compensated	(°C)	-10~+40
Temperature, Operating	(°C)	-35~+70
Excitation, Recommended	(V)	5~12 (DC)
Excitation, Max	(V)	18 (DC)
Safe Overload	(%FS)	150
Ultimate Overload	(%FS)	300

Part Number	Capacity	Ship Weight	Price
HM8-C3-500KG	500KG stainless shear beam	11 lb	\$355
HM8-C3-1.0t	1T stainless shear beam	11 lb	\$355
HM8-C3-2.0t	2T stainless shear beam	13 lb	\$355
HM8-C3-2.5t	2.5T stainless shear beam	13 lb	\$355
HM8-C3-3.0t	3T stainless shear beam	20 lb	\$355
HM8-C3-5.0t	5T stainless shear beam	20 lb	\$370
HM8-C3-10t	10T stainless shear beam	42 lb	\$480
HM8-C3-15t	15T stainless shear beam	42 lb	\$480
HM8-C3-20t	20T stainless shear beam	42 lb	\$560
HM8-C3-25t	25T stainless shear beam	42 lb	\$560
HM8-C3-30t	30T stainless shear beam	57 lb	\$1,135
HM8-C3-50t	50T stainless shear beam	57 lb	\$1,665



Outline Dimensions mm (inch)														
Dimension	H	H1	H2	H3	ΦD	Φd	W	L	L1	L2	L3	L4	L5	L6
Capacity														
1-2t	57.9 (2.28)	43 (1.69)	37 (1.47)	5 (0.2)	35 (1.38)	13 (0.51)	37 (1.47)	203 (7.99)	95 (3.74)	22 (0.87)	98 (3.86)	64 (2.52)	-	-
2.5t	57.9 (2.28)	43 (1.69)	37 (1.47)	5 (0.2)	35 (1.38)	15 (0.59)	37 (1.47)	203 (7.99)	95 (3.74)	22 (0.87)	98 (3.86)	64 (2.52)	-	-
3t	62.9 (2.48)	43 (1.69)	37 (1.47)	5 (0.2)	35 (1.38)	15 (0.59)	37 (1.47)	203 (7.99)	95 (3.74)	22 (0.87)	98 (3.86)	64 (2.52)	-	-
5t	78.7 (3.1)	52 (2.05)	48 (1.89)	8 (0.31)	42 (1.65)	21 (0.83)	48 (1.89)	235 (9.25)	110 (4.33)	22 (0.87)	124 (4.88)	66 (2.6)	-	-
10t, 15t	127.7 (5.03)	67 (2.64)	60 (2.36)	12 (0.47)	57 (2.24)	28 (1.10)	60 (2.36)	279 (10.98)	133 (5.24)	32 (1.26)	140 (5.51)	82 (3.22)	-	-
20t, 25t	143.5 (5.65)	82.5 (3.25)	70 (2.76)	12 (0.47)	70 (2.76)	34 (1.34)	70 (2.76)	318 (12.52)	153 (6.02)	38 (1.5)	159 (6.26)	89 (3.5)	-	-
30t	174 (6.85)	115 (4.53)	90 (3.54)	18 (0.71)	70 (2.76)	26 (1.02)	96 (3.78)	374 (14.72)	189 (7.44)	44.5 (1.75)	181 (7.13)	76 (2.99)	51 (2.01)	46 (1.81)



Wiring:
 Shielded 6 conductor cable: $\phi 6.2\text{mm}$
 Standard Cable Length: 6m



HM8C

- HM8C load cells are available in the capacities 0.5~10t
- Alloy steel, hermetically welded, oil-proof, waterproof and anti-corrosion, suitable for all kinds of environments
- Single shear beam, easy for installation, suitable for electronic platform scales, hopper scale and other electronic weighing devices
- Safe and anti-explosive product, can be used in atrocious environments and hazardous areas



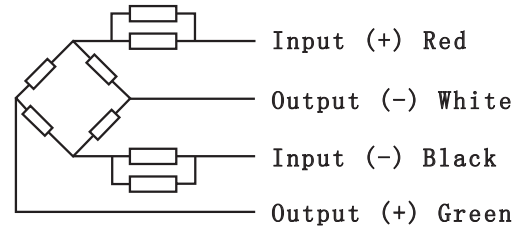
Features

- Capacities: 0.5t~10t
- High accuracy
- Alloy steel construction
- Low profile

Accessories

- HJ-8-201
- HJ-8-203
- HJ-8-204
- HJ-8-208
- HJ-8-213
- HJ-8-214
- HJ-8-215
- HJ-8-216
- HD-8-301
- HM-8-402
- HY-8-102
- HY-8-103
- HY-8-105

Specifications		
Capacity	t	0.5/1/1.5/2/3/5/10
Accuracy		C3
Maximum Number of Verification Intervals	Nmax	3000
Minimum Load Cell Verification Intervals	Vmin	Emax/10000
Combined Error	(%FS)	±0.020
Creep	(%FS/30min)	±0.016
Temperature Effect on Sensitivity	(%FS/10°C)	±0.011
Temperature Effect on Zero	(%FS/10°C)	±0.015
Output Sensitivity	(mV/V)	2.0±0.004
Input Resistance	(Ω)	350±3.5
Output Resistance	(Ω)	351±2.0
Insulation Resistance	(MΩ)	≥5000 (50VDC)
Zero Balance	(%FS)	1.5
Temperature, Compensated	(°C)	-10~+40
Temperature, Operating	(°C)	-35~+70
Excitation, Recommended	(V)	5~12 (DC)
Excitation, Max	(V)	18 (DC)
Safe Overload	(%FS)	150
Ultimate Overload	(%FS)	300

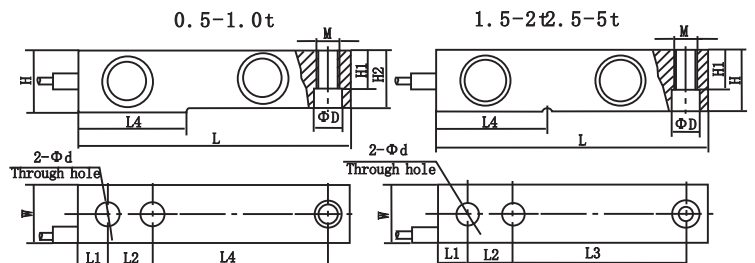


Wiring:

Shielded 4 conductor cable: Φ5mm
Standard Cable Length: 4m (0.5t~2t); 6m (2.5t~10t)

Outline Dimensions mm (inch)												
Dimension	L	L1	L2	L3	L4	H	H1	H2	W	D	d	M
Capacity (t)												
0.5	130 (5.12)	15.8 (0.62)	25.4 (1.0)	76.2 (3.0)	53.7 (2.11)	31.8 (1.25)	15.8 (0.62)	26 (1.02)	31.8 (1.25)	13.5 (0.53)	13.5 (0.53)	M12
1.0	130 (5.12)	15.8 (0.62)	25.4 (1.0)	76.2 (3.0)	53.7 (2.11)	31.8 (1.25)	15.8 (0.62)	28 (1.1)	31.8 (1.25)	13.5 (0.53)	13.5 (0.53)	M12
1.5~2	130 (5.12)	15.8 (0.62)	25.4 (1.0)	76.2 (3.0)	54.2 (2.13)	31.8 (1.25)	15.8 (0.62)	-	31.8 (1.25)	13.5 (0.53)	13.5 (0.53)	M12
2.5	171.5 (6.75)	19.1 (0.75)	38.1 (1.5)	95.3 (3.75)	76.2 (3.0)	38.1 (1.5)	18.8 (0.74)	34 (1.34)	38.1 (1.5)	19.8 (0.78)	19.8 (0.78)	M18x1.5
3~5	171.5 (6.75)	19.1 (0.75)	38.1 (1.5)	95.3 (3.75)	77.2 (3.04)	38.1 (1.5)	18.8 (0.74)	-	38.1 (1.5)	19.8 (0.78)	19.8 (0.78)	M18x1.5

Part Number	Capacity	Ship Weight	Price
HM8C-C3-0.5t-4B	0.5T alloy shear beam	2 lb	\$220
HM8C-C3-1.0t-4B	1T alloy shear beam	2 lb	\$220
HM8C-C3-1.5t-4B	1.5T alloy shear beam	2 lb	\$220
HM8C-C3-2.0t-4B	2T alloy shear beam	2 lb	\$220
HM8C-C3-3.0t-6B	3T alloy shear beam	2 lb	\$250
HM8C-C3-5.0t-6B	5T alloy shear beam	2 lb	\$250
HM8C-C3-10t-6B	10T alloy shear beam	2 lb	\$350





BM8D

- BM8D load cells are available in the capacities 1Klb~20Klb; 0.5t~10t
- Stainless steel construction, hermetically welded, oil proof, waterproof, anti-corrosive gas and medium sized making it suitable for all kinds of environments
- Single shear beam, easy for installation, suitable for electronic platform scales, electronic truck scales and other electronic weighing devices
- Safe and anti-explosive product, can be used in atrocious environments and hazardous areas



Features

- Capacities: 1Klb~20Klb; 0.5t~10t
- High accuracy
- Stainless steel construction
- Low profile
- OIML Cert. No.: R60/2000-NL1-12.11
- NTEP Cert. No.: 10-056A2

Accessories

- BJ-8-208
- BJ-8-209
- BJ-8-210
- BJ-8-211
- BJ-8-215
- BJ-8-219
- BJ-8-220
- HJ-8-213
- HJ-8-214

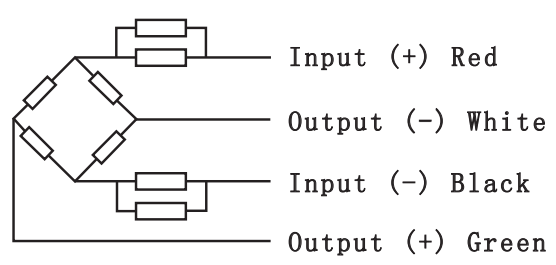
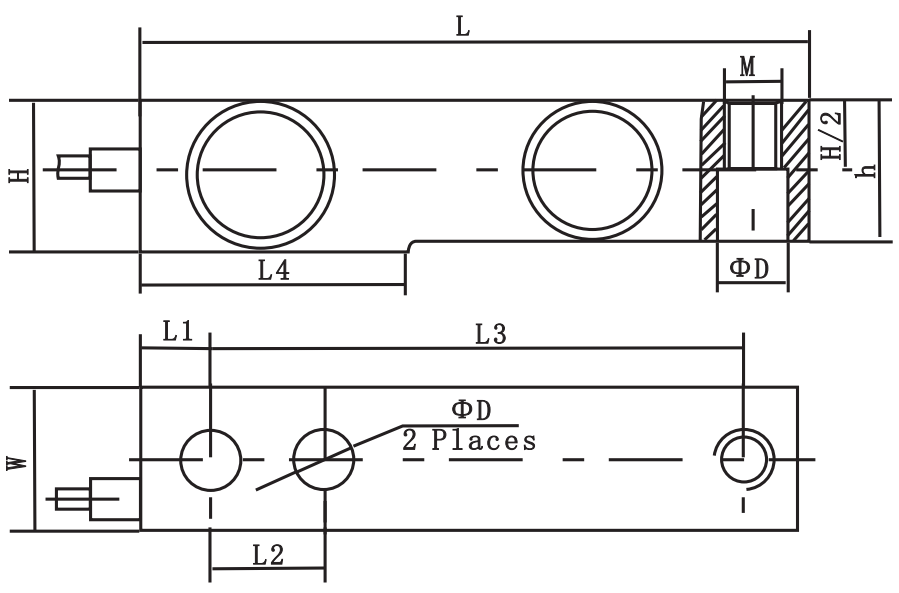
Specifications			
Capacity	t	0.5/1/2/2.5/3/5/7.5/10	
	Klb	1/1.5/2/2.5/5/5KSE/7.5/10/15/20	
Accuracy		C3	N5
Maximum Number of Verification Intervals	Nmax	3000	5000
Minimum Number of Verification Intervals	Vmin	Emax/10000	Emax/5000
Combined Error	(%FS)	≤±0.020	≤±0.020
Creep	(%FS/30min)	≤±0.016	≤±0.020
Temperature Effect on Sensitivity	(%FS/10°C)	≤±0.011	≤±0.017
Temperature Effect on Zero	(%FS/10°C)	≤±0.015	≤±0.020
Output Sensitivity	(mV/V)	2.0±0.04	3.0±0.008
Input Resistance	(Ω)	350±3.5	
Output Resistance	(Ω)	350±3.5	
Insulation Resistance	(MΩ)	≥5000 (50VDC)	
Zero Balance	(%FS)	1.0	
Temperature, Compensated	(°C)	-10~+40	
Temperature, Operating	(°C)	-35~+70	
Excitation, Recommended	(V)	5~12 (DC)	
Excitation, Max	(V)	18 (DC)	
Safe Overload	(%FS)	150	
Ultimate Overload	(%FS)	300	

Part Number	Capacity	Ship Weight	Price
BM8D-N5-0.5t	500KG stainless shear beam	2 lb	\$370
BM8D-N5-1t	1T stainless shear beam	2 lb	\$370
BM8D-N5-2t	2T stainless shear beam	2 lb	\$370
BM8D-N5-2.5t	2.5T stainless shear beam	4 lb	\$425
BM8D-N5-3.t	3T stainless shear beam	4 lb	\$425
BM8D-N5-5t	5T stainless shear beam	4 lb	\$425
BM8D-N5-7.5t	7.5T stainless shear beam	9 lb	\$720
BM8D-N5-10t	10T stainless shear beam	9 lb	\$720
BM8D-N5-1K	1K stainless shear beam	2 lb	\$370
BM8D-N5-1.5K	1.5K stainless shear beam	2 lb	\$370
BM8D-N5-2K	2K stainless shear beam	2 lb	\$370
BM8D-N5-2.5K	2.5K stainless shear beam	2 lb	\$370
BM8D-N5-2.5KLE	2.5K LE stainless shear beam	4 lb	\$425
BM8D-N5-5KLE	5K LE stainless shear beam	4 lb	\$425
BM8D-N5-5KSE	5K SE stainless shear beam	2 lb	\$720
BM8D-N5-7.5K	7.5K stainless shear beam	4 lb	\$370
BM8D-N5-10K	10K stainless shear beam	4 lb	\$425
BM8D-N5-15K	15K stainless shear beam	9 lb	\$425
BM8D-N5-20K	20K stainless shear beam	9 lb	\$425

Compatible Products	
Manufacturer	Model
HBM	H35



Outline Dimensions mm (inch)										
Dimension (mm)	W	D	H	h	L	L1	L3	L3	L4	M
Capacity										
1Klb	30.7	13.5	30.2	24.76 (0.98)	130 (5.12)	15.7 (0.62)	25.4 (1)	101.6 (4)	57.1 (2.25)	1/2-20UNF-2B
1.5Klb, 2Klb	(1.21)	(0.53)	(1.89)	26 (1.024)						
2.5Klb				27 (1.06)						
3Klb~5KlbSE	31.3 (1.23)	13.5 (0.53)	31.3 (1.23)	27.95 (1.10)						
0.5t				24.76 (0.98)						
1t				26 (1.024)						
1.5t~2t				27.95 (1.10)						M12x1.75
5Klb~15Klb	36.8 (1.45)	19.8 (0.779)	36.8 (1.45)	27 (1.06)	171.5 (6.75)	19.1 (0.748)	38.1 (1.5)	133.3 (5.25)	76.2 (3)	3/4-16UNF-2B
2.5t~5t		20.5 (0.81)		31.95 (1.26)						M20x2.5
20Klb	49.5 (1.95)	26.9 (1.06)	49.5 (1.95)	40 (1.57)	222.2 (8.75)	25.4 (1)	50.8 (2)	171.5 (6.75)	101.6 (4)	1-12UNF-2B
7.5t~10t										



Wiring:
 Shielded 4 conductor cable
 Standard Cable Length: 6m



H8Q

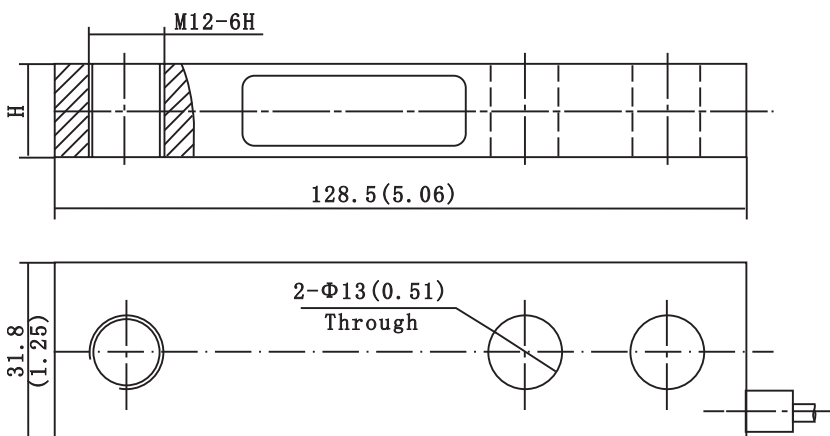
- H8Q load cells are available in the capacities 500kg~2t
- Alloy steel, sealed by adhesive inside, oil-proof, waterproof and anti-corrosion, suitable for all kinds of environments
- Single shear beam, easy for installation, suitable for electronic platform, hopper scales, floor scales and other electronic weighing devices

Features

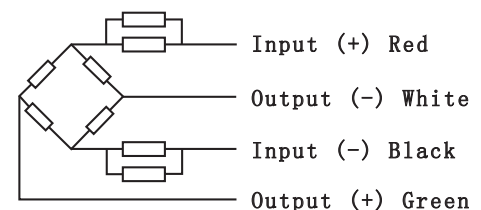
- Capacities: 500KG~2t
- High accuracy
- Alloy steel construction
- Extremely low profile



Specifications		
Capacity	t	0.5/1/2
Accuracy		C3
Maximum Number of Verification Intervals	Nmax	3000
Minimum Load Cell Verification Intervals	Vmin	E _{max} /10000
Combined Error	(%FS)	≤±0.020
Creep	(%FS/30min)	≤±0.016
Temperature Effect on Sensitivity	(%FS/10°C)	≤±0.011
Temperature Effect on Zero	(%FS/10°C)	≤±0.015
Output Sensitivity	(mV/V)	2.0±0.002
Input Resistance	(Ω)	1000±5
Output Resistance	(Ω)	1000±3
Insulation Resistance	(MΩ)	≥5000 (50VDC)
Zero Balance	(%FS)	1.0
Temperature, Compensated	(°C)	-10~+40
Temperature, Operating	(°C)	-35~+70
Excitation, Recommended	(V)	5~12 (DC)
Excitation, Max	(V)	18 (DC)
Safe Overload	(%FS)	150
Ultimate Overload	(%FS)	300



Outline Dimensions mm (inch)			
Capacity	500kg	1t	2t
Dimension			
H	15.9 (0.63)	19.1 (0.75)	25.4 (1.0)



Wiring:

Shielded 4 conductor cable: Φ5mm
Standard Cable Length: 3m

Part Number	Capacity	Ship Weight	Price
H8Q-C3-500Kg-4B	500KG single shear beam	2 lb	\$335
H8Q-C3-1t-4B	1T single shear beam	2 lb	\$335
H8Q-C3-2t-4B	2T single shear beam	2 lb	\$335



B8Q

- B8Q load cells are available in the capacities 500kg~2t
- Stainless steel, sealed by adhesive inside, oil-proof, waterproof and anti-corrosion, suitable for all kinds of environments
- Single shear beam, easy for installation, suitable for electronic platform, hopper scales, floor scales and other electronic weighing devices

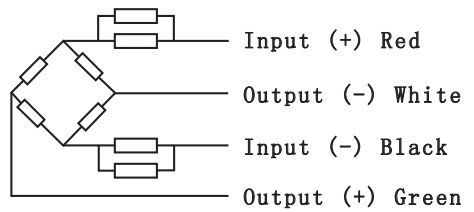
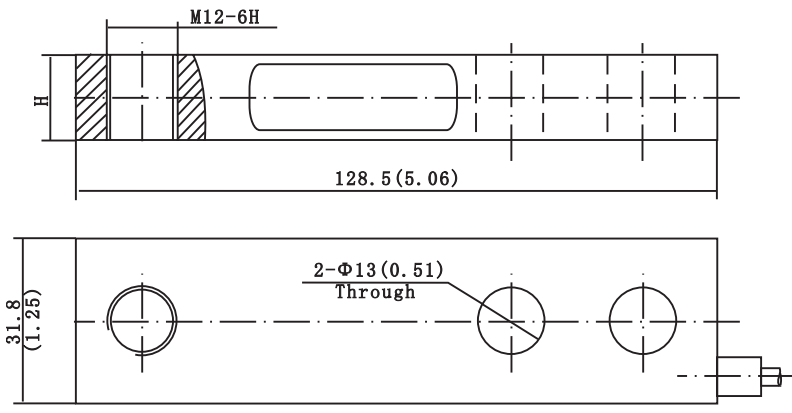
Features

- Capacities: 500KG~2t
- High accuracy
- Stainless steel construction
- Extremely low profile
- OIML Cert. No.: R60/2000-NL1-10.14
- NTEP Cert. No.: 12-029



Specifications		
Capacity	t	0.5/1/2
Accuracy		C3
Maximum Number of Verification Intervals	Nmax	3000
Minimum Load Cell Verification Intervals	Vmin	E _{max} /10000
Combined Error	(%FS)	±0.020
Creep	(%FS/30min)	±0.016
Temperature Effect on Sensitivity	(%FS/10°C)	±0.011
Temperature Effect on Zero	(%FS/10°C)	±0.015
Output Sensitivity	(mV/V)	2.0±0.002
Input Resistance	(Ω)	1000±5
Output Resistance	(Ω)	1000±3
Insulation Resistance	(MΩ)	≥5000 (50VDC)
Zero Balance	(%FS)	1.0
Temperature, Compensated	(°C)	-10~+40
Temperature, Operating	(°C)	-35~+70
Excitation, Recommended	(V)	5~12 (DC)
Excitation, Max	(V)	18 (DC)
Safe Overload	(%FS)	150
Ultimate Overload	(%FS)	300

Outline Dimensions mm (inch)			
Capacity	500kg	1t	2t
Dimension			
H	15.9 (0.63)	19.1 (0.75)	25.4 (1.0)



Wiring:
Shielded 4 conductor cable: Φ5mm
Standard Cable Length: 3m

Part Number	Capacity	Ship Weight	Price
B8Q-C3-500Kg-4B	500KG single shear beam	2 lb	\$435
B8Q-C3-1t-4B	1T single shear beam	2 lb	\$435
B8Q-C3-2t-4B	2T single shear beam	2 lb	\$435

Shear Beam



H8C

- H8C load cells are available in the capacities 1Klb~20Klb; 0.5t~10t
- Alloy steel, sealed by adhesive inside, oil-proof, waterproof and anti-corrosion, suitable for all kinds of environments
- Single shear beam, easy for installation.
- Suitable for electronic platform scales, hopper scales, and other electronic weighing devices
- Safe and anti-explosive product, can be used in atrocious environments and hazardous areas



Features

- Capacities: 1Klb~20Klb; 0.5t~10t
- High accuracy
- Alloy steel construction
- Low profile
- OIML Cert. No.: R60/2000-CN-00.02
- PTB Approval No.: D09-03.19 Revision 2
- NTEP Cert. No.: CC12-028

Accessories

- HD-8-301
- HJ-8-201
- HJ-8-203
- HJ-8-208
- HJ-8-210
- HJ-8-213
- HJ-8-214
- HJ-8-216
- HJ-8-221
- HY-8-102
- HY-8-105
- HM-8-402

Specifications			
Capacity	t	0.5/1/1.5/2/2.5/3/5/10	
	Klb	1/1.5/2/2.5/3/4/5/5KSE/7.5/10/20	
Accuracy		C3	N5
Approvals		OIML R60 C3	
Maximum Number of Verification Intervals	Nmax	3000	5000
Minimum Number of Verification Intervals	Vmin	Emax/10000	Emax/5000
Combined Error	(%FS)	≤±0.020	≤±0.020
Creep	(%FS/30min)	≤±0.016	≤±0.020
Temperature Effect on Sensitivity	(%FS/10°C)	≤±0.011	≤±0.017
Temperature Effect on Zero	(%FS/10°C)	≤±0.015	≤±0.020
Output Sensitivity	(mV/V)	2.0±0.002	3.0±0.003
Input Resistance	(Ω)	350±3.5	
Output Resistance	(Ω)	350±3.5	
Insulation Resistance	(MΩ)	≥5000 (50VDC)	
Zero Balance	(%FS)	1.0	
Temperature, Compensated	(°C)	-10~+40	
Temperature, Operating	(°C)	-35~+70	
Excitation, Recommended	(V)	5~12 (DC)	
Excitation, Max	(V)	18 (DC)	
Safe Overload	(%FS)	150	
Ultimate Overload	(%FS)	300	

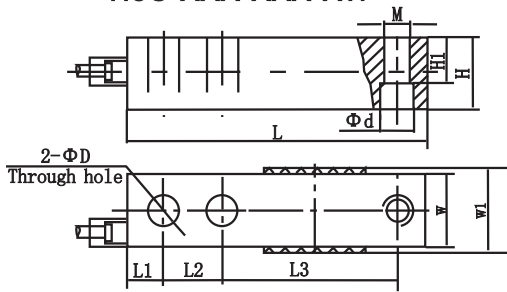
Part Number	Capacity	Ship Weight	Price
H8C-C3-500KG-4B	500KG alloy shear beam metric	2 lb	\$190
H8C-C3-1.0t-4B	1T alloy shear beam metric	2 lb	\$190
H8C-C3-1.5t-4B	1.5T alloy shear beam metric	2 lb	\$190
H8C-C3-2.0t-4B	2T alloy shear beam metric	2 lb	\$190
H8C-C3-2.5T-4B	2.5T alloy shear beam metric	2 lb	\$225
H8C-C3-3.0t-4B	3T alloy shear beam metric	2 lb	\$225
H8C-C3-5.0t-4B	5T alloy shear beam metric	2 lb	\$225
H8C-C3-10t-4B	10T alloy shear beam metric	2 lb	\$315
H8C-N5-500-6YB	500K alloy shear beam imperial	2 lb	\$190
H8C-N5-1.0K-6YB	1K alloy shear beam imperial	2 lb	\$190
H8C-N5-1.5K-6YB	1.5K alloy shear beam imperial	2 lb	\$190
H8C-N5-2.0K-6YB	2K alloy shear beam imperial	2 lb	\$190
H8C-N5-2.5K-6YB	2.5K alloy shear beam imperial	2 lb	\$190
H8C-N5-3.0K-6YB	3K alloy shear beam imperial	2 lb	\$190
H8C-N5-4.0K-6YB	4K alloy shear beam imperial	2 lb	\$190
H8C-N5-5KSE-6YB	5K SE alloy shear beam imperial	2 lb	\$190
H8C-N5-5.0K-6YB	5K LE alloy shear beam imperial	2 lb	\$225
H8C-N5-7.5K-6YB	7.5K alloy shear beam imperial	2 lb	\$225
H8C-N5-10K-6YB	10K alloy shear beam imperial	2 lb	\$225
H8C-N5-15K-6YB	15K alloy shear beam imperial	9 lb	\$225
H8C-N5-20K-6YB	20K alloy shear beam imperial	9 lb	\$315

Compatible Products	
Manufacturer	Model
Revere	5123
HBM	B35
Tedea	3420/3421
Celtron	SQB
Sensortronics	65023
Coti	CI-23
Artech	30310
Rice Lake	RL35023/39123
Totalcomp	TSB
Transcell	SBS

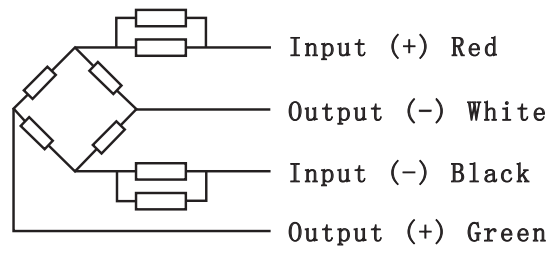
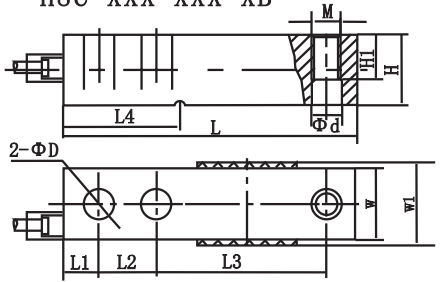


Outline Dimensions mm (inch)												
Dimension	L	L1	L2	L3	L4	H	H1	W	W1	D	d	M
Capacity												
0.5~2t	130 (5.12)	15.8 (0.62)	25.4 (1.0)	76.2 (3.0)	54.2 (2.13)	31.8 (1.25)	15.8 (0.62)	31.8 (1.25)	34 (1.34)	13.5 (0.53)	13.5 (0.53)	M12X1.75
1K~4K	130 (5.12)	15.8 (0.62)	25.4 (1.0)	76.2 (3.0)	54.2 (2.13)	31.8 (1.25)	15.8 (0.62)	31.8 (1.25)	34 (1.34)	13.5 (0.53)	13.5 (0.53)	1/2-20UNF
5KSE	130 (5.12)	15.8 (0.62)	25.4 (1.0)	76.2 (3.0)	54.2 (2.13)	31.8 (1.25)	15.8 (0.62)	31.8 (1.25)	34 (1.34)	13.5 (0.53)	13.5 (0.53)	1/2-20UNF
2.5t~5t	171.5 (6.75)	19.1 (0.75)	38.1 (1.5)	95.3 (3.75)	77.2 (3.04)	38.1 (1.5)	18.8 (0.74)	38.1 (1.5)	40 (1.57)	19.8 (0.78)	19.8 (0.78)	M18x1.5
5K~10K	171.5 (6.75)	19.1 (0.75)	38.1 (1.5)	95.3 (3.75)	77.2 (3.04)	38.1 (1.5)	18.8 (0.74)	38.1 (1.5)	40 (1.57)	19.8 (0.78)	19.8 (0.78)	3/4-16UNF
10t	222.3 (8.75)	25.4 (1.0)	50.8 (2.0)	120.7 (4.75)	101.6 (4)	50.8 (2.0)	25.4 (1.0)	50.8 (2)	52.4 (2.06)	26.92 (1.06)	26 (1.02)	M24x2
20K	222.3 (8.75)	25.4 (1.0)	50.8 (2.0)	120.7 (4.75)	101.6 (4)	50.8 (2.0)	25.4 (1.0)	50.8 (2)	52.4 (2.06)	26.92 (1.06)	26 (1.02)	1-12UNF

H8C-XXX-XXX-XW



H8C-XXX-XXX-XB



Wiring:
 Shielded 4 conductor cable: $\phi 5\text{mm}$
 Standard Cable Length: 4m (0.5t~2t); 6m (2.5t~10t, 1Klb~20Klb)
 Note: This product has the stress groove, is not suitable for Australian market. For Australian users please choose H8C-XX-XX-XW.



B8D

- B8D load cells are available in the capacities 0.25Klb~20Klb; 0.5t~5t
- Stainless steel construction, potted by adhesive inside, oil proof, waterproof, anti-corrosive gas and medium sized making it suitable for all kinds of environments
- Single shear beam, easy for installation, suitable for electronic truck scales, automobile testing facilities, hopper scales and other electronic weighing devices
- Safe and anti-explosive product, can be used in atrocious environments and hazardous areas



Features

- Capacities: 0.25Klb~20Klb; 0.5t~5t
- High accuracy
- Stainless steel construction
- Low profile
- OIML Cert. No.: R60/2000-NL1-11.28
- NTEP Cert. No.: CC12-022

Accessories

- BJ-8-202
- BJ-8-205
- BJ-8-209
- BJ-8-211
- BJ-8-212
- BJ-8-219
- BJ-8-220
- BJ-8-221
- BM-8-104
- BY-8-104

Specifications			
Capacity	t	0.5/1/2/5	
	Klb	0.25/0.5/0.75/1/1.5/2/2.5/3/4/5/5KSE/7.5/10/15/20	
Accuracy		C3	N5
Approvals		OIML R60 C3	
Maximum Number of Verification Intervals	Nmax	3000	5000
Minimum Number of Verification Intervals	Vmin	Emax/10000	Emax/5000
Combined Error	(%FS)	±0.020	±0.020
Creep	(%FS/30min)	±0.016	±0.020
Temperature Effect on Sensitivity	(%FS/10°C)	±0.011	±0.017
Temperature Effect on Zero	(%FS/10°C)	±0.015	±0.020
Output Sensitivity	(mV/V)	3.0±0.008	
Input Resistance	(Ω)	350±3.5	
Output Resistance	(Ω)	350±3.5	
Insulation Resistance	(MΩ)	≥5000 (50VDC)	
Zero Balance	(%FS)	1.0	
Temperature, Compensated	(°C)	-10~+40	
Temperature, Operating	(°C)	-35~+70	
Excitation, Recommended	(V)	5~12 (DC)	
Excitation, Max	(V)	18 (DC)	
Safe Overload	(%FS)	150	
Ultimate Overload	(%FS)	300	

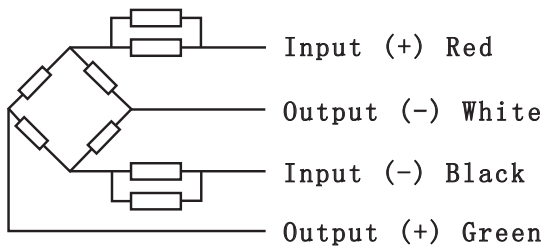
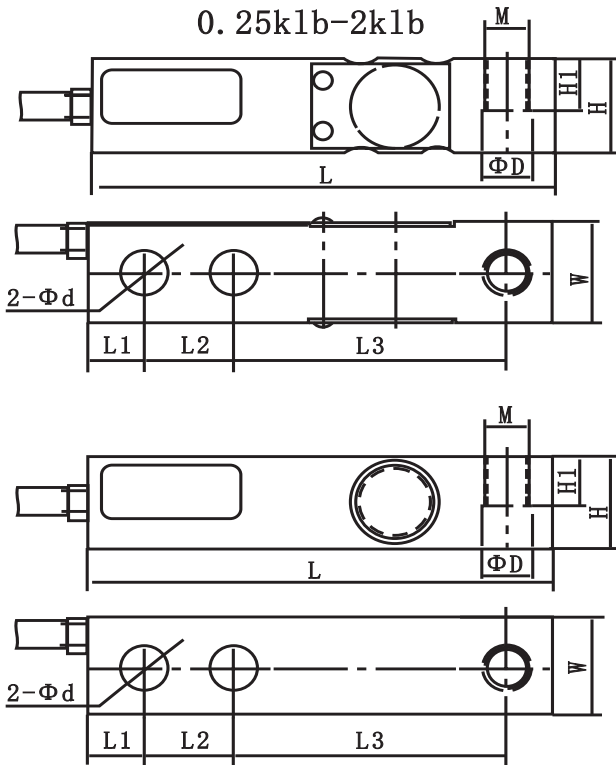
Part Number	Capacity	Ship Weight	Price
B8D-C3-500KG-6B	500KG stainless shear beam metric	2 lb	\$315
B8D-C3-1.0t-6B	1T stainless shear beam metric	2 lb	\$315
B8D-C3-2.0t-6B	2T stainless shear beam metric	2 lb	\$315
B8D-C3-5.0t-6B	5T stainless shear beam metric	9 lb	\$380
B8D-N5-250-6YB	250LB stainless shear beam imperial	2 lb	\$330
B8D-N5-500-6YB	500LB stainless shear beam imperial	2 lb	\$330
B8D-N5-750-6YB	750LB stainless shear beam imperial	2 lb	\$330
B8D-N5-1K-6YB	1K stainless shear beam imperial	2 lb	\$315
B8D-N5-1.5K-6YB	1.5K stainless shear beam imperial	2 lb	\$315
B8D-N5-2K-6YB	2K stainless shear beam imperial	2 lb	\$315
B8D-N5-2.5K-6YB	2.5K stainless shear beam imperial	2 lb	\$315
B8D-N5-3K-6YB	3K stainless shear beam imperial	2 lb	\$315
B8D-N5-4K-6YB	4K stainless shear beam imperial	2 lb	\$315
B8D-N5-5KSE-6YB	5K SE stainless shear beam imperial	2 lb	\$315
B8D-N5-5K-6YB	5K LE stainless shear beam imperial	4 lb	\$380
B8D-N5-7.5K-6YB	7.5K stainless shear beam imperial	4 lb	\$380
B8D-N5-10K-6YB	10K stainless shear beam imperial	4 lb	\$380
B8D-N5-15K-6YB	15K stainless shear beam imperial	4 lb	\$395
B8D-N5-20K-6YB	20K stainless shear beam imperial	9 lb	\$615

Compatible Products	
Manufacturer	Model
Revere	M9123
Tedea	3410
Celtron	SQB
Sensortronics	65023



Outline Dimensions mm (inch)											
Dimension	L	L1	L2	L3	d	H	W	D	H1	M	
Capacity											
0.25Klb, 0.5Klb, 0.75Klb, 1Klb	130 (5.12)	15.7 (0.62)	25.4 (1.0)	76.2 (3.0)	13.46 (0.52)	30.2 (1.19)	30.7 (1.20)	13.4 (0.53)	16 (0.63)	M12-6H 1/2-20UNF-2B	
0.5t, 1t, 2t, 2.5Klb, 3Klb, 4Klb, 5KSE	130 (5.12)	15.7 (0.62)	25.4 (1.0)	76.2 (3.0)	13.4 (0.53)	31.32 (1.23)	31.32 (1.23)	13.4 (0.53)	15.75 (0.62)	M12-6H 1/2-20UNF-2B	
3t, 5t 5Klb, 7.5Klb, 10Klb, 15Klb	171 (6.73)	19 (0.75)	38.1 (1.5)	95.2 (3.75)	20.65 (0.81)	36.8 (1.45)	36.8 (1.45)	20.65 (0.81)	17.78 (0.7)	M20x25-6H 3/4-16UNF-2B	
20Klb	222.25 (8.75)	25.4 (1.0)	50.8 (2.0)	120.7 (4.75)	26.9 (1.06)	49.5 (1.95)	49.5 (1.95)	27.56 (1.08)	24.78 (0.97)	M24x2-6H 1-12UNF-2B	

0.25klb-2klb



Wiring:
 Shielded 4 conductor cable: ϕ 5mm
 Standard Cable Length: 6m



H8H

- H8H load cells are available in the capacities 0.25t~5t
- Alloy steel, sealed by adhesive inside, oil-proof, waterproof and anti-corrosion, suitable for all kinds of environments
- Single shear beam, easy for installation, suitable for electronic truck scales, track scales, hopper scales and other electronic weighing devices
- Safe and anti-explosive product, can be used in atrocious environments and hazardous areas



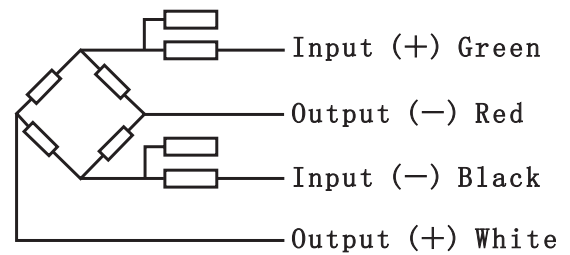
Features

- Capacities: 0.25t~5t
- High accuracy
- Alloy steel construction
- Low profile

Accessories

- HJ-8-217
- HJ-8-218

Specifications		
Capacity	t	0.25/0.5/1/2/5
Accuracy		C3
Maximum Number of Verification Intervals	Nmax	3000
Minimum Load Cell Verification Intervals	Vmin	E _{max} /10000
Combined Error	(%FS)	≤±0.020
Creep	(%FS/30min)	≤±0.016
Temperature Effect on Sensitivity	(%FS/10°C)	≤±0.011
Temperature Effect on Zero	(%FS/10°C)	≤±0.015
Output Sensitivity	(mV/V)	2.0±0.004
Input Resistance	(Ω)	350±3.5
Output Resistance	(Ω)	351±2
Insulation Resistance	(MΩ)	≥5000 (50VDC)
Zero Balance	(%FS)	1.0
Temperature, Compensated	(°C)	-10~+40
Temperature, Operating	(°C)	-35~+70
Excitation, Recommended	(V)	5~12 (DC)
Excitation, Max	(V)	18 (DC)
Safe Overload	(%FS)	150
Ultimate Overload	(%FS)	300

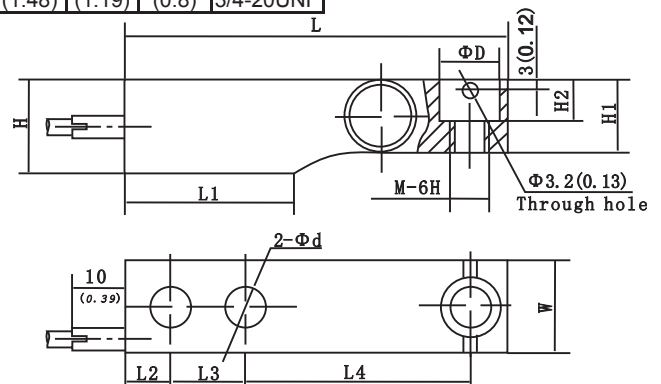


Wiring:

Shielded 4 conductor cable: $\Phi 5 \pm 0.2\text{mm}$; $\Phi 5$
Standard Cable Length: 3m (250Kg-1t), 6m (2t-5t)

Outline Dimensions mm (inch)												
Dimension	L	L1	L2	L3	L4	H	H1	H2	W	D	d	M
Capacity (t)												
0.25t	130.0 (5.12)	57 (2.24)	15.5 (0.62)	25.4 (1.0)	76.2 (3.01)	31.8 (1.24)	25.50 (25.32)	14.2 (0.55)	31.8 (1.23)	20.5 (0.81)	13 (0.51)	M12 1/2-20UNF
0.5t	130.0 (5.12)	57.1 (2.25)	15.5 (0.62)	25.4 (1.0)	76.2 (3.0)	31.8 (1.24)	26.0 (1.02)	14.2 (0.55)	31.8 (1.23)	20.5 (0.81)	13 (0.51)	M12 1/2-20UNF
1.0t	130.0 (5.12)	57.1 (2.25)	15.5 (0.62)	25.4 (1.0)	76.2 (3.0)	31.8 (1.24)	27.95 (1.1)	14.2 (0.55)	31.8 (1.23)	20.5 (0.81)	13 (0.51)	M12 1/2-20UNF
2.0t	130.0 (5.12)	57.1 (2.25)	15.5 (0.62)	25.4 (1.0)	76.2 (3.0)	35.9 (1.41)	31.95 (1.26)	14.2 (0.55)	31.8 (1.23)	20.5 (0.81)	13 (0.51)	M12 1/2-20UNF
5.0t	172 (6.71)	76.2 (3.0)	19.1 (0.75)	38.1 (1.5)	95.3 (3.75)	44 (1.72)	40.0 (1.57)	20 (0.78)	38 (1.48)	30.2 (1.19)	20.5 (0.8)	M20 3/4-20UNF

Part Number	Capacity	Ship Weight	Price
H8H-C3-250kg	250KG alloy shear beam	2 lb	\$260
H8H-C3-0.5t	500KG alloy shear beam	2 lb	\$260
H8H-C3-1.0t	1T alloy shear beam	2 lb	\$260
H8H-C3-2.0t	2T alloy shear beam	2 lb	\$260
H8H-C3-5.0t	5T alloy shear beam	2 lb	\$260





BM8H

- BM8H load cells are available in the capacities 1k~10Klb; 0.5t~5t
- Stainless steel construction, hermetically welded, potted by adhesive inside, oil proof, waterproof, anti-corrosive gas and medium sized making it suitable for all kinds of environments
- Single shear beam, easy for installation, suitable for electronic truck scales, track scales, hopper scales and other electronic weighing devices
- Safe and anti-explosive product, can be used in atrocious environments and hazardous areas



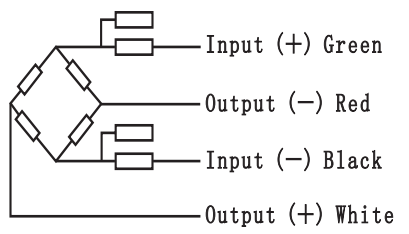
Features

- Capacities: 1K~10Klb; 0.5t~5t
- High accuracy
- Stainless steel construction
- Low profile
- OIML Cert. No.: R60/2000-NL1-12.15
- NTEP Cert. No.: CC10-056A2

Accessories

- BJ-8-206
- BJ-8-207
- BM-8-406

Specifications			
Capacity	t	0.5/1/2/5	
	Klb	1/2.5/4/5/10	
Accuracy		C3	N5
Approvals		OIML R60 C3	
Maximum Number of Verification Intervals	Nmax	3000	5000
Minimum Load Cell Verification Intervals	Vmin	Emax/10000	Emax/5000
Combined Error	(%FS)	±0.020	±0.020
Creep	(%FS/30min)	±0.016	±0.020
Temperature Effect on Sensitivity	(%FS/10°C)	±0.011	±0.017
Temperature Effect on Zero	(%FS/10°C)	±0.015	±0.020
Output Sensitivity	(mV/V)	2.0±0.002	
Input Resistance	(Ω)	1000±10	
Output Resistance	(Ω)	1000±10	
Insulation Resistance	(MΩ)	≥5000 (50VDC)	
Zero Balance	(%FS)	1.0	
Temperature, Compensated	(°C)	-10~+40	
Temperature, Operating	(°C)	-35~+70	
Excitation, Recommended	(V)	5~12 (DC)	
Excitation, Max	(V)	18 (DC)	
Safe Overload	(%FS)	150	
Ultimate Overload	(%FS)	300	



Wiring:

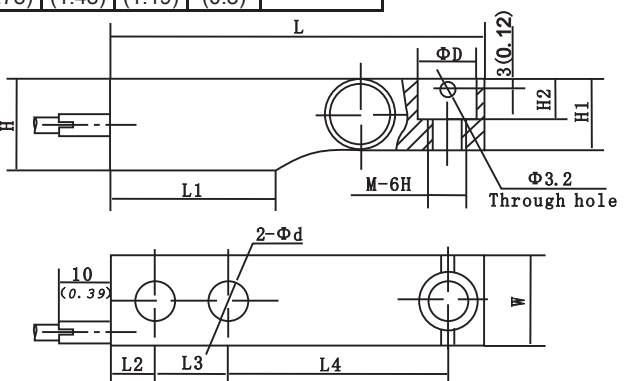
Shielded 4 conductor cable: Φ5±0.2mm; Φ5
Standard Cable Length: 3m (250Kg-1t), 6m (2t-5t)

Compatible Products

Manufacturer	Model
Revere	ACB
HBM	HLC
Celtron	HVC
Sensortronics	65084

Outline Dimensions mm (inch)												
Dimension	L	L1	L2	L3	L4	H	H1	H2	W	D	d	M
Capacity (t)												
500kg (1Klb)	130.0 (5.12)	57.1 (2.25)	15.5 (0.62)	25.4 (1.0)	76.2 (3.0)	31.8 (1.24)	26.0 (1.02)	14.2 (0.55)	31.8 (1.23)	20.5 (0.81)	13 (0.51)	M
1.0t (2Klb, 2.5Klb)	130.0 (5.12)	57.1 (2.25)	15.5 (0.62)	25.4 (1.0)	76.2 (3.0)	31.8 (1.24)	27.95 (1.1)	14.2 (0.55)	31.8 (1.23)	20.5 (0.81)	13 (0.51)	M12
1.5t, 2.0t (4Klb, 5Klb)	130.0 (5.12)	57.1 (2.25)	15.5 (0.62)	25.4 (1.0)	76.2 (3.0)	35.9 (1.41)	31.95 (1.26)	14.2 (0.55)	31.8 (1.23)	20.5 (0.81)	13 (0.51)	M12
5.0t (10Klb)	172 (6.77)	76.2 (3.0)	19.1 (0.75)	38.1 (1.5)	95.3 (3.75)	44 (1.72)	40.0 (1.57)	20 (0.78)	38 (1.48)	30.2 (1.19)	20.5 (0.8)	M20
2.5t, 3t	172 (6.77)	76.2 (3.0)	19.1 (0.75)	38.1 (1.5)	95.3 (3.75)	44 (1.72)	36 (1.42)	20 (0.78)	38 (1.48)	30.2 (1.19)	20.5 (0.8)	M20

Part Number	Capacity	Ship Weight	Price
BM8H-C3-0.5t	500KG stainless shear beam metric	2 lb	\$365
BM8H-C3-1.0t	1T stainless shear beam metric	2 lb	\$365
BM8H-C3-2.0t	2T stainless shear beam metric	2 lb	\$365
BM8H-C3-5.0t	5T stainless shear beam metric	4 lb	\$445
BM8H-N5-1K	1K stainless shear beam imperial	2 lb	\$365
BM8H-N5-2.5K	2.5K stainless shear beam imperial	2 lb	\$365
BM8H-N5-4K	4K stainless shear beam imperial	2 lb	\$365
BM8H-N5-5K	5K stainless shear beam imperial	2 lb	\$365
BM8H-N5-10K	10K stainless shear beam imperial	4 lb	\$445



Shear Beam



HM11

- HM11 load cells are available in the capacities 20kg~500kg
- Alloy steel construction, welded with bellow, potted by adhesive inside, oil proof, waterproof, anti-corrosive gas and medium sized making it suitable for all kinds of environments
- Single point with bellow, easy installation, suitable for crane scales, mechanical conversion scales, hopper scales and other electronic weighing devices
- Safe and anti-explosive product, can be used in atrocious environments and hazardous areas



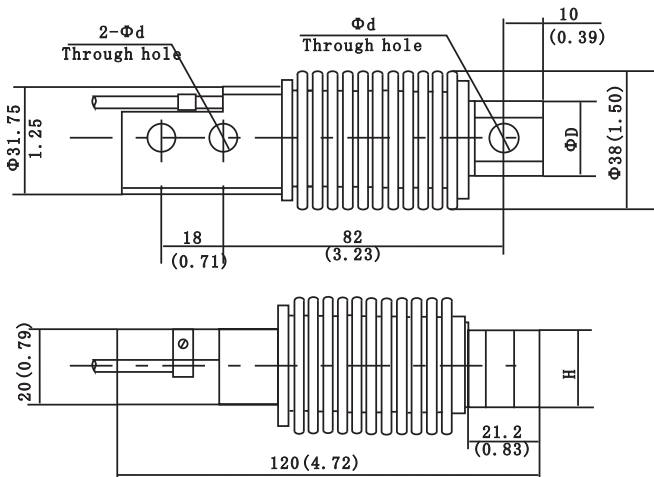
Features

- Capacities: 20kg~500kg
- High accuracy
- Alloy steel construction
- Low profile

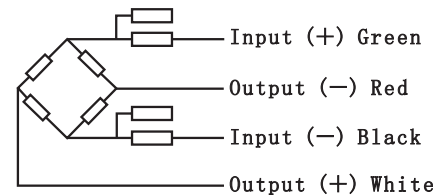
Accessories

- BM-11-401
- BM-11-402

Specifications		
Capacity	kg	20/30/50/100/200/350/500
Accuracy		C3
Maximum Number of Verification Intervals	Nmax	3000
Minimum Load Cell Verification Intervals	Vmin	Emax/10000
Combined Error	(%FS)	±0.020
Creep	(%FS/30min)	±0.016
Temperature Effect on Sensitivity	(%FS/10°C)	±0.011
Temperature Effect on Zero	(%FS/10°C)	±0.015
Output Sensitivity	(mV/V)	2.0±0.02
Input Resistance	(Ω)	460±50
Output Resistance	(Ω)	351±2.0
Insulation Resistance	(MΩ)	≥5000 (50VDC)
Zero Balance	(%FS)	1.0
Temperature, Compensated	(°C)	-10~+40
Temperature, Operating	(°C)	-35~+70
Excitation, Recommended	(V)	5~12 (DC)
Excitation, Max	(V)	18 (DC)
Safe Overload	(%FS)	150
Ultimate Overload	(%FS)	300



Outline Dimensions mm (inch)			
Dimension	d	D	H
Capacity (kg)			
20,30,,50,100,200	8.2 (0.32)	23 (0.91)	20 (0.79)
350, 500	10.3 (0.41)	24 (0.94)	19 (0.75)



Wiring:

Shielded 4 conductor cable
Standard Length: 3m
Cable Diameter: $\phi 5 \pm 0.2$ mm

Part Number	Capacity	Ship Weight	Price
HM11-C3-20KG	20KG alloy steel single point with bellows	2 lb	\$440
HM11-C3-30KG	30KG alloy steel single point with bellows	2 lb	\$440
HM11-C3-50KG	50KG alloy steel single point with bellows	2 lb	\$440
BHM11-C3-0.1t	100KG alloy steel single point with bellows	2 lb	\$440
HM11-C3-0.2t	200KG alloy steel single point with bellows	2 lb	\$440
HM11-C3-350KG	350KG alloy steel single point with bellows	2 lb	\$440
HM11-C3-0.5t	500KG alloy steel single point with bellows	2 lb	\$440



BM11

- BM11 load cells are available in the capacities 20kg~500kg
- Stainless steel construction, welded with bellow, potted by adhesive inside, oil proof, waterproof, anti-corrosive gas and medium sized making it suitable for all kinds of environments.
- Single point with bellow, easy installation, suitable for crane scales, mechanical conversion scales, hopper scales and other electronic weighing devices
- Safe and anti-explosive product, can be used in atrocious environments and hazardous areas



Features

- Capacities: 20kg~500kg
- High accuracy
- Stainless steel construction
- Low profile
- PTB Approval No.: D09-06.44
- NTEP Cert. No.: CC07-020A1

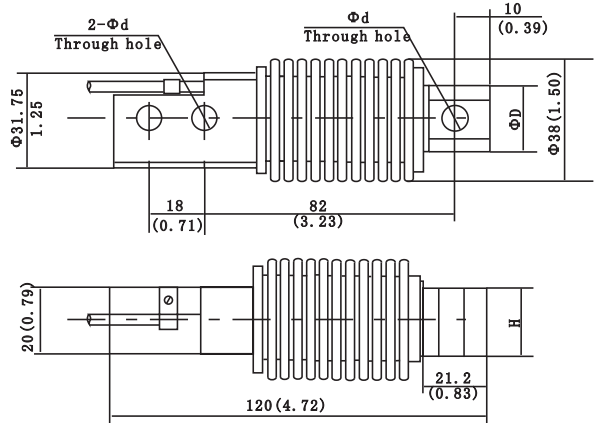
Accessories

- BM-11-401
- BM-11-402

Specifications

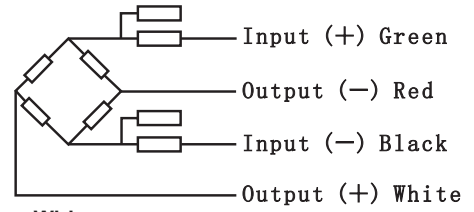
Capacity	kg	20/30/50/100/200/350/500
Accuracy		C3
Approvals		OIML R60 C3
Maximum Number of Verification Intervals	Nmax	3000
Minimum Load Cell Verification Intervals	Vmin	Emax/10000
Combined Error	(%FS)	≤±0.020
Creep	(%FS/30min)	≤±0.016
Temperature Effect on Sensitivity	(%FS/10°C)	≤±0.011
Temperature Effect on Zero	(%FS/10°C)	≤±0.015
Output Sensitivity	(mV/V)	2.0±0.02
Input Resistance	(Ω)	460±50
Output Resistance	(Ω)	351±2.0
Insulation Resistance	(MΩ)	≥5000 (50VDC)
Zero Balance	(%FS)	1.0
Temperature, Compensated	(°C)	-10~+40
Temperature, Operating	(°C)	-35~+70
Excitation, Recommended	(V)	5~12 (DC)
Excitation, Max	(V)	18 (DC)
Safe Overload	(%FS)	150
Ultimate Overload	(%FS)	300

Outline Dimension mm (inch)



Outline Dimensions mm (inch)

Dimension	d	D	H
Capacity (kg)			
20,30,,50,100,200	8.2 (0.32)	23 (0.91)	20 (0.79)
250,350, 500	10.3 (0.41)	24 (0.94)	19 (0.75)



Wiring:

Shielded 4 conductor cable
Standard Length: 3m
Cable Diameter: φ5±0.2mm

Part Number	Capacity	Ship Weight	Price
BM11-C3-20KG	20KG stainless single point with bellows	2 lb	\$385
BM11-C3-30KG	30KG stainless single point with bellows	2 lb	\$385
BM11-C3-50KG	50KG stainless single point with bellows	2 lb	\$385
BM11-C3-0.1t	100KG stainless single point with bellows	2 lb	\$385
BM11-C3-0.2t	200KG stainless single point with bellows	2 lb	\$385
BM11-C3-350KG	350KG stainless single point with bellows	2 lb	\$385
BM11-C3-0.5t	500KG stainless single point with bellows	2 lb	\$385

Compatible Products	
Manufacturer	Model
Revere	SHB
HBM	Z6
Tedea	355
Celtron	HBB
Rice Lake	RLHBB
Vishay	HBB



B6E3

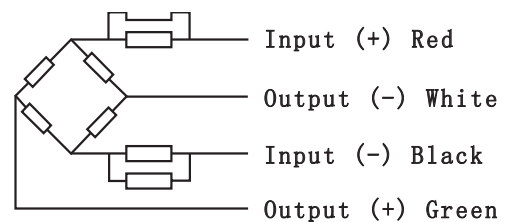
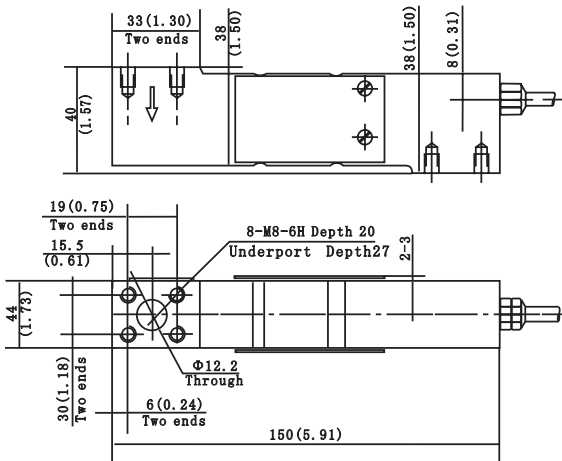
- B6E3 load cells are available in the capacities 20kg~300kg
- 17-4PH stainless steel construction, potted by adhesive inside, oil proof, waterproof, anti-corrosive gas and medium sized making it suitable for all kinds of environments
- Single point with parallel beam, suitable for electronic scales, platform scales, belt scales and other electronic weighing devices
- Max. platform size: 400mm x 400mm



Features

- Capacities: 20kg~300kg
- High accuracy
- Stainless steel construction
- Low profile and easy installation

Specifications		
Capacity	kg	20/30/50/75/100/150/200/250/300
Accuracy		C3
Maximum Number of Verification Intervals	Nmax	3000
Minimum Load Cell Verification Interval	Vmin	Emax/10000
Combined Error	(%FS)	≤±0.020
Creep	(%FS/30min)	≤±0.016
Temperature Effect on Sensitivity	(%FS/10°C)	≤±0.011
Temperature Effect on Zero	(%FS/10°C)	≤±0.015
Output Sensitivity	(mV/V)	2.0±0.2/2.0±0.002
Input Resistance	(Ω)	384±4
Output Resistance	(Ω)	351±2.0
Insulation Resistance	(MΩ)	≥5000 (50VDC)
Zero Balance	(%FS)	1.5
Temperature, Compensated	(°C)	-10~+40
Temperature, Operating	(°C)	-35~+70
Excitation, Recommended	(V)	5~12 (DC)
Excitation, Max	(V)	18 (DC)
Safe Overload	(%FS)	150
Ultimate Overload	(%FS)	300
Corner Correction		0.02% load value/100mm



Wiring:

Shielded 4 conductor cable: φ5mm
Standard Cable Length: 3m

Part Number	Capacity	Ship Weight	Price
B6E3-C3-20KG-3G	20KG stainless steel single point	8 lb	\$695
B6E3-C3-30KG-3G	30KG stainless steel single point	8 lb	\$695
B6E3-C3-50KG-3G	50KG stainless steel single point	8 lb	\$695
B6E3-C3-75KG-3G	75KG stainless steel single point	8 lb	\$695
B6E3-C3-0.1T-3G	100KG stainless steel single point	8 lb	\$695
B6E3-C3-.15T-3G	150KG stainless steel single point	8 lb	\$695
B6E3-C3-0.2T-3G	200KG stainless steel single point	8 lb	\$695
B6E3-C3-.25T-3G	250KG stainless steel single point	8 lb	\$695
B6E3-C3-0.3T-3G	300KG stainless steel single point	8 lb	\$695



B6Q

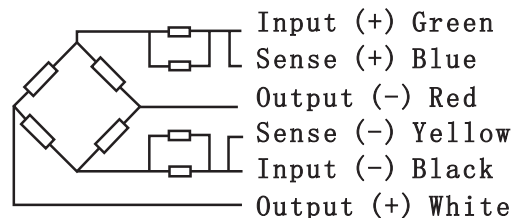
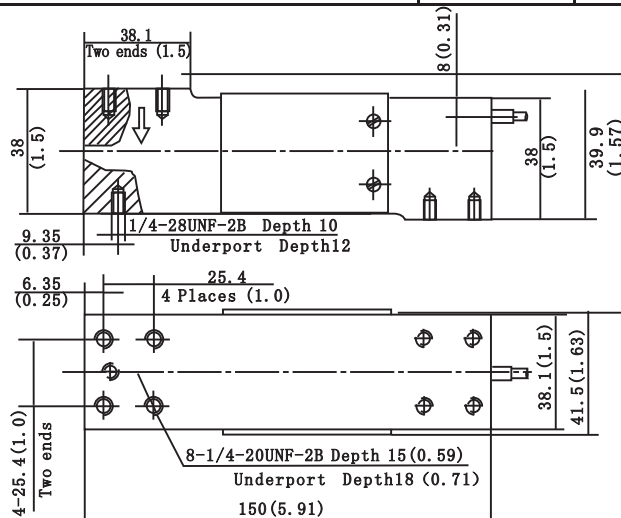
- B6Q load cells are available in the capacities 200kg and 250kg
- 17-4PH stainless steel construction, potted by adhesive inside, oil proof, waterproof, anti-corrosive gas and medium sized making it suitable for all kinds of environments
- Single point with parallel beam, suitable for electronic scales, platform scales, belt scales and other electronic weighing devices
- Recommended platform size: 400mm x 400mm

Features

- Capacities: 200kg and 250kg
- Stainless steel construction
- High accuracy
- Low profile and easy installation



Specifications		
Capacity	kg	200/250
Accuracy		C3
Maximum Number of Verification Intervals	Nmax	3000
Minimum Number of Verification Intervals	Vmin	E _{max} /10000
Combined Error	(%FS)	±0.020
Creep	(%FS/30min)	±0.016
Temperature Effect on Sensitivity	(%FS/10°C)	±0.011
Temperature Effect on Zero	(%FS/10°C)	±0.015
Output Sensitivity	(mV/V)	2.0±0.2/2.0±0.002
Input Resistance	(Ω)	384±4/400±20
Output Resistance	(Ω)	351±2.0
Insulation Resistance	(MΩ)	≥5000 (50VDC)
Zero Balance	(%FS)	1.5
Temperature, Compensated	(°C)	-10~+40
Temperature, Operating	(°C)	-35~+70
Excitation, Recommended	(V)	5~12 (DC)
Excitation, Max	(V)	18 (DC)
Safe Overload	(%FS)	150
Ultimate Overload	(%FS)	300
Corner Correction		0.02% load value/100mm



Wiring:
Shielded 6 conductor cable: φ5.0mm
Standard Cable Length: 1.5m

M	Metric	Imperial
	M6	1/4-20UNC

Part Number	Capacity	Ship Weight	Price
B6Q-C3-200KG	200KG stainless steel point imperial	4 lb	\$455
B6Q-C3-250KG	250KG stainless steel point imperial	4 lb	\$455

Compatible Products	
Manufacturer	Model
Tedea	1241 S.S.

Single Point

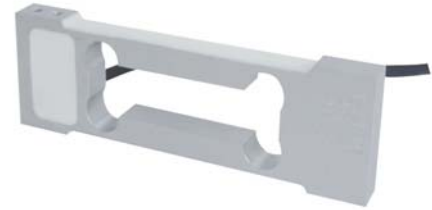


L6B

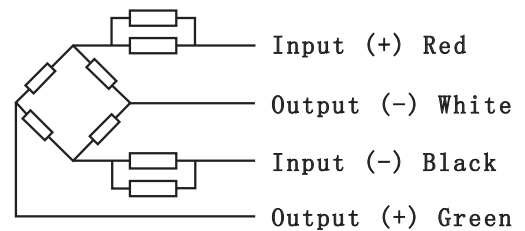
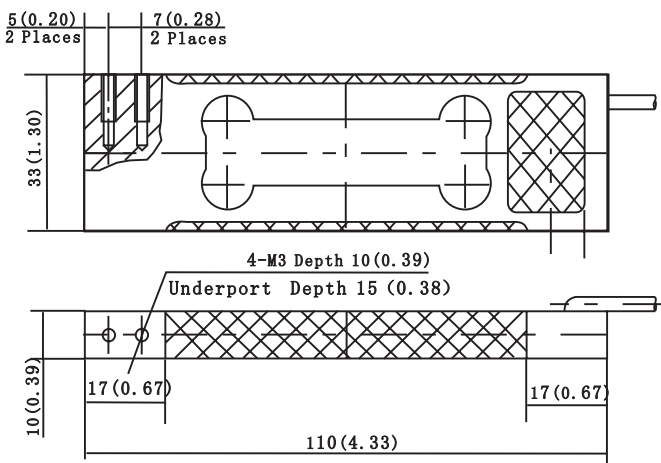
- L6B load cells are available in the capacities 0.3kg~3kg
- Aluminum construction with parallel beam
- Silicon adhesive sealed, surface anodized and anti-corrosion
- Integral structure and easy installation
- Suitable for electronic balance and other electronic weighing devices

Features

- Capacities: 0.3kg~3kg
- High accuracy
- Max. platform size: 200mm x 200mm



Specifications		
Capacity	kg	0.3/0.6/1.2/3
Accuracy		C3
Maximum Number of Verification Intervals	Nmax	2500
Minimum Number of Verification Intervals	Vmin	Emax/5000
Combined Error	(%FS)	≤±0.030
Creep	(%FS/30min)	≤±0.020
Temperature Effect on Sensitivity	(%FS/10°C)	≤±0.021
Temperature Effect on Zero	(%FS/10°C)	≤±0.028
Output Sensitivity	(mV/V)	0.9±0.1
Input Resistance	(Ω)	406±6
Output Resistance	(Ω)	350±3
Insulation Resistance	(MΩ)	≥5000 (50VDC)
Zero Balance	(%FS)	2
Temperature, Compensated	(°C)	-10~+40
Temperature, Operating	(°C)	-35~+65
Excitation, Recommended	(V)	5~12 (DC)
Excitation, Max	(V)	18 (DC)
Safe Overload	(%FS)	120
Ultimate Overload	(%FS)	150
Corner Correction		0.02% load value/100mm



Wiring:

Shielded 4 conductor cable and cable jacket is PVC
 Cable Length: 0.45±0.05m
 Cable Diameter: 3±0.2mm

Part Number	Capacity	Ship Weight	Price
L6B-C3-0.3Kg	0.3KG aluminum single point metric	2 lb	\$115
L6B-C3-0.6Kg	0.6KG aluminum single point metric	2 lb	\$115
L6B-C3-1.2Kg	1.2KG aluminum single point metric	2 lb	\$115
L6B-C3-3Kg	3KG aluminum single point metric	2 lb	\$115

Compatible Products	
Manufacturer	Model
Tedea	1004



L6C

- L6C load cells are available in the capacities 3kg~50kg
- Aluminum construction with parallel beam
- Silicon adhesive sealed, surface anodized and anti-corrosion
- Integral structure and easy installation
- Suitable for pricing scale, counting scale, electronic balance and other electronic weighing devices

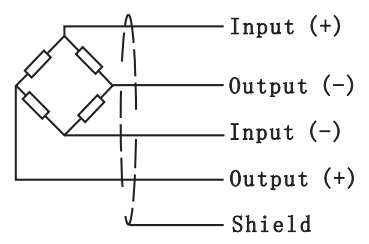
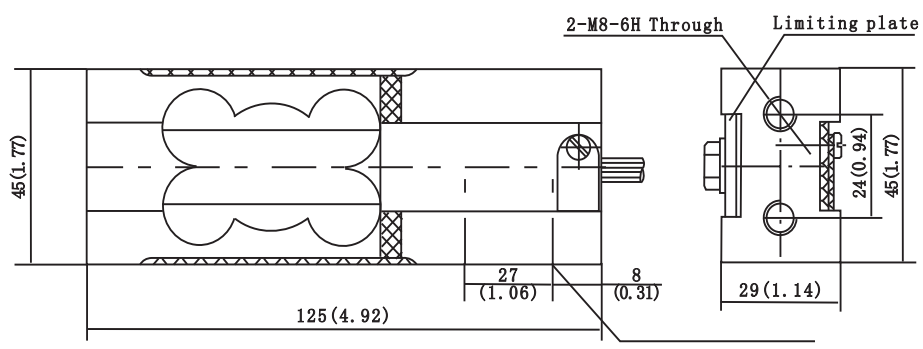


Features

- Capacities: 3kg~50kg
- Max. platform size: 450mm x 450mm
- High accuracy
- Installed screw request M8, 8.8 class with oiled screw, torque 25Nm

Specifications		
Capacity	kg	3/5/8/20/30/50
Accuracy		C3D
Maximum Number of Verification Intervals	Nmax	2500
Minimum Load Cell Verification Interval	Vmin	E _{max} /5000
Combined Error	(%FS)	±0.030
Creep	(%FS/30min)	±0.020
Temperature Effect on Sensitivity	(%FS/10°C)	±0.021
Temperature Effect on Zero	(%FS/10°C)	±0.028
Output Sensitivity	(mV/V)	1.9±0.2
Input Resistance	(Ω)	406±6
Output Resistance	(Ω)	350±3
Insulation Resistance	(MΩ)	≥5000 (50VDC)
Zero Balance	(%FS)	2
Temperature, Compensated	(°C)	-10~+40
Temperature, Operating	(°C)	-35~+65
Excitation, Recommended	(V)	5~12 (DC)
Excitation, Max	(V)	18 (DC)
Safe Overload	(%FS)	120
Ultimate Overload	(%FS)	150
Corner Correction		0.02% load value/100mm

Single Point



Wiring:
 Shielded 5 conductor ribbon scale
 Cable Length: 0.35±0.5m
 The shield is connected to the element

Part Number	Capacity	Ship Weight	Price
L6C-C3D-3KG-3	3KG aluminum single point metric	4 lb	\$85
L6C-C3D-5KG-3	5KG aluminum single point metric	4 lb	\$85
L6C-C3D-8KG-3	8KG aluminum single point metric	4 lb	\$85
L6C-C3D-20KG-3	20KG aluminum single point metric	4 lb	\$85
L6C-C3D-30KG-3	30KG aluminum single point metric	4 lb	\$85
L6C-C3D-50KG-3	50KG aluminum single point metric	4 lb	\$85



L6D

- L6D load cells are available in the capacities 2.5kg~50kg
- Aluminum construction with parallel beam
- Silicon adhesive sealed, surface anodized and anti-corrosion
- Integral structure and easy installation
- Suitable for pricing scale, platform scale and other electronic weighing devices



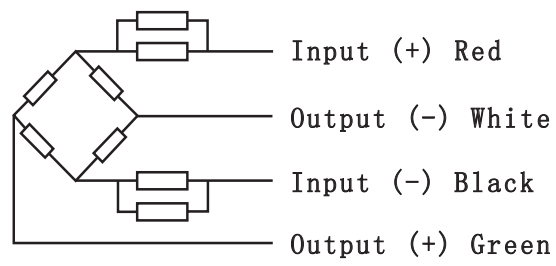
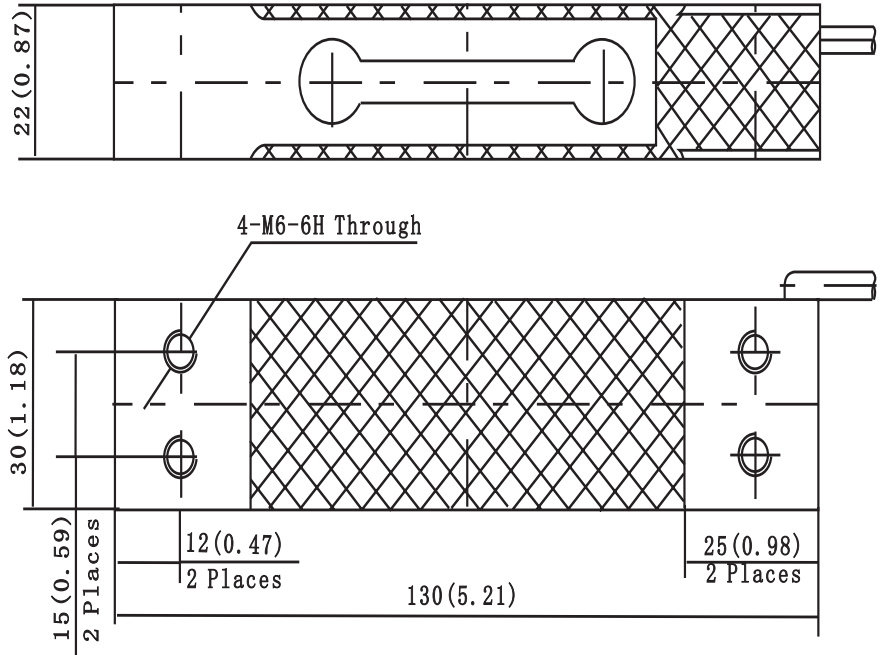
Features

- Capacities: 2.5kg~50kg
- Max. platform size: 250mm x 350mm
- PTB Approval No.: D09-03.20 Revision 1
- High accuracy
- OIML Cert. No.: R60/2000-NL1-10.35
- NTEP Cert. No.: CC11-012

Specifications		
Capacity	kg	2.5/3/5/6/8/10/15/20/30/35/40/50
Accuracy		C3
Approvals		OIML R60 C3
Maximum Number of Verification Intervals	Nmax	3000
Minimum Number of Verification Intervals	Vmin	Emax/7000
Combined Error	(%FS)	±0.020
Creep	(%FS/30min)	±0.0167
Temperature Effect on Sensitivity	(%FS/10°C)	±0.0175
Temperature Effect on Zero	(%FS/10°C)	±0.020
Output Sensitivity	(mV/V)	2.0±0.2
Input Resistance	(Ω)	406±6/1065±15
Output Resistance	(Ω)	350±3/1000±10
Insulation Resistance	(MΩ)	≥5000 (50VDC)
Zero Balance	(%FS)	2
Temperature, Compensated	(°C)	-10~+40
Temperature, Operating	(°C)	-35~+65
Excitation, Recommended	(V)	5~12 (DC)
Excitation, Max	(V)	18 (DC)
Safe Overload	(%FS)	120
Ultimate Overload	(%FS)	150
Corner Correction		0.02% load value/100mm

Part Number	Capacity	Ship Weight	Price
L6D-C3-2.5KG	2.5KG aluminum single point metric	4 lb	\$80
L6D-C3-3KG	3KG aluminum single point metric	4 lb	\$80
L6D-C3-5KG	5KG aluminum single point metric	4 lb	\$80
L6D-C3-6KG	6KG aluminum single point metric	4 lb	\$80
L6D-C3-8KG	8KG aluminum single point metric	4 lb	\$80
L6D-C3-10KG	10KG aluminum single point metric	4 lb	\$80
L6D-C3-15KG	15KG aluminum single point metric	4 lb	\$80
L6D-C3-20KG	20KG aluminum single point metric	4 lb	\$80
L6D-C3-30KG	30KG aluminum single point metric	4 lb	\$80
L6D-C3-35KG	35KG aluminum single point metric	4 lb	\$80
L6D-C3-40KG	40KG aluminum single point metric	4 lb	\$80
L6D-C3-50KG	50KG aluminum single point metric	4 lb	\$80

Compatible Products	
Manufacturer	Model
Revere	640
HBM	PW6-2
Tedea	1022
Celtron	LPS 60kg~35kg
Coti	C1-22
Artech	61022
Rice Lake	RL 1521
BLH	C2G1
Fairbanks	4900
NMB	C2C1
Vishay	C2G1/LPS



Wiring:
 Shielded 4 conductor cable and cable jacket is PVC
 Cable Length: 3m
 Cable Diameter: 3.8±0.2mm

Output Resistance	Input		Output		Shield
	+	-	+	-	
1000 (Ω)	R	W	G	B	Transparent
350 (Ω)	R	B	G	W	

Single Point



L6E

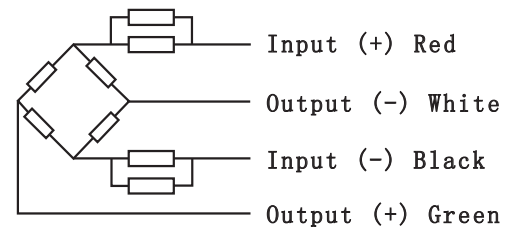
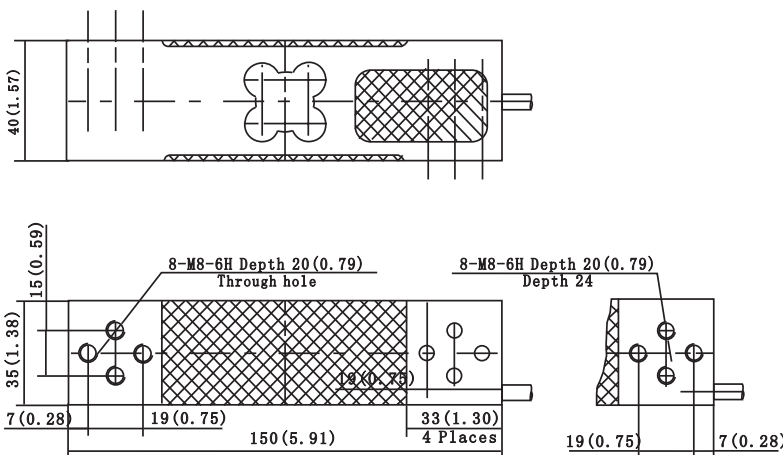
- L6E load cells are available in the capacities 50kg~300kg
- Aluminum construction with parallel beam
- Silicon adhesive sealed, surface anodized and anti-corrosion
- Integral structure and easy installation
- Suitable for pricing scales, platform scales and other electronic weighing devices

Features

- Capacities: 50kg~300kg
- High accuracy
- Max. platform size: 400mm x 400mm
- OIML Cert. No.: R60/2000-CN-00.04 Revision 1
- PTB Approval No.: D09-03.21 Revision 1
- NTEP Cert. No.: CC11-062



Specifications		
Capacity	kg	50/60/80/100/150/200/300
Accuracy		C3
Approvals		OIML R60 C3
Maximum Number of Verification Intervals	Nmax	3000
Minimum Load Cell Verification Interval	Vmin	Emax/7000
Combined Error	(%FS)	±0.020
Creep	(%FS/30min)	±0.0167
Temperature Effect on Sensitivity	(%FS/10°C)	±0.0175
Temperature Effect on Zero	(%FS/10°C)	±0.020
Output Sensitivity	(mV/V)	2.0±0.2
Input Resistance	(Ω)	406±6
Output Resistance	(Ω)	350±3
Insulation Resistance	(MΩ)	≥5000 (50VDC)
Zero Balance	(%FS)	2
Temperature, Compensated	(°C)	-10~+40
Temperature, Operating	(°C)	-35~+65
Excitation, Recommended	(V)	5~12 (DC)
Excitation, Max	(V)	18 (DC)
Safe Overload	(%FS)	120
Ultimate Overload	(%FS)	150
Corner Correction		0.2% load value/100mm



Wiring:

Shielded 4 conductor cable and cable jacket is PVC
 Cable Length: 2.0±0.1m
 Cable Diameter: 5.3±0.2mm

Part Number	Capacity	Ship Weight	Price
L6E-C3-50KG-2B	50KG aluminum single point metric	4 lb	\$90
L6E-C3-60KG-2B	60KG aluminum single point metric	4 lb	\$90
L6E-C3-80KG-2B	80KG aluminum single point metric	4 lb	\$90
L6E-C3-100KG-2B	100KG aluminum single point metric	4 lb	\$90
L6E-C3-150KG-2B	150KG aluminum single point metric	4 lb	\$90
L6E-C3-200KG-2B	200KG aluminum single point metric	4 lb	\$90
L6E-C3-300KG-2B	300KG aluminum single point metric	4 lb	\$90
L6E-C3-200KG-3B	200KG aluminum single point metric	4 lb	\$90

Compatible Products	
Manufacturer	Model
Celtron	LPS



B6E

- B6E load cells are available in the capacities 100kg~300kg
- 17-4PH stainless steel construction, potted by adhesive inside, oil proof, waterproof, anti-corrosive gas and medium sized making it suitable for all kinds of environments
- Single point with parallel beam, suitable for electronic scales, platform scales, belt scales and other electronic weighing devices
- Recommended platform size: 400mm x 400mm

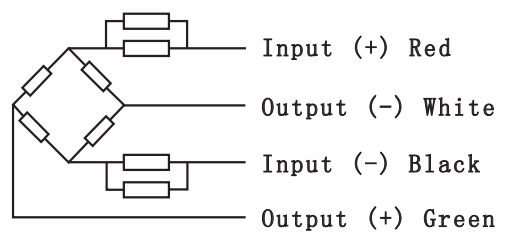
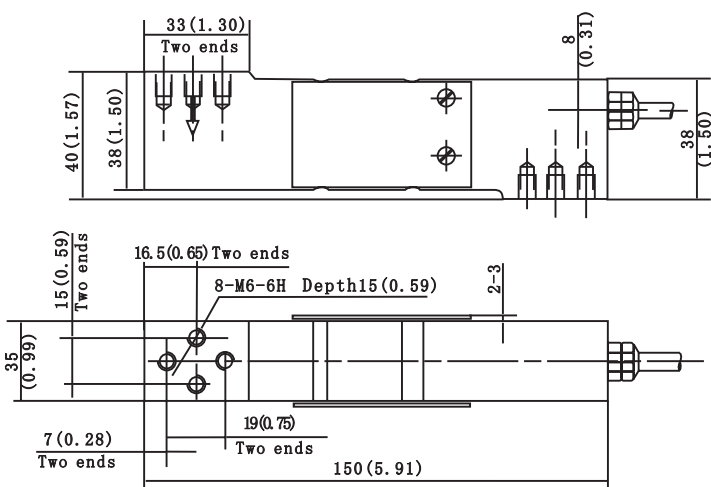


Features

- Capacities: 100kg~300kg
- High accuracy
- Stainless steel construction
- Low profile and easy installation

Specifications		
Capacity	kg	100/150/200/300
Accuracy		C3
Maximum Number of Verification Intervals	Nmax	3000
Minimum Number of Verification Intervals	Vmin	Emax/10000
Combined Error	(%FS)	±0.020
Creep	(%FS/30min)	±0.016
Temperature Effect on Sensitivity	(%FS/10°C)	±0.011
Temperature Effect on Zero	(%FS/10°C)	±0.015
Output Sensitivity	(mV/V)	2.0±0.2/2.0±0.002
Input Resistance	(Ω)	384±4/400±20
Output Resistance	(Ω)	351±2.0
Insulation Resistance	(MΩ)	≥5000 (50VDC)
Zero Balance	(%FS)	1.5
Temperature, Compensated	(°C)	-10~+40
Temperature, Operating	(°C)	-35~+70
Excitation, Recommended	(V)	5~12 (DC)
Excitation, Max	(V)	18 (DC)
Safe Overload	(%FS)	150
Ultimate Overload	(%FS)	300
Corner Correction		0.02% load value/100mm

Single Point



Wiring:
Shielded 4 conductor cable: φ5mm
Standard Cable Length: 2m

Part Number	Capacity	Ship Weight	Price
B6E-C3-100KG-2B	100KG stainless single point metric	4 lb	\$515
B6E-C3-150KG-2B	150KG stainless single point metric	4 lb	\$515
B6E-C3-200KG-2B	200KG stainless single point metric	4 lb	\$515
B6E-C3-300KG-2B	300KG stainless single point metric	4 lb	\$515



H6E

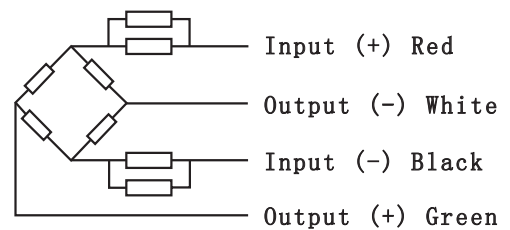
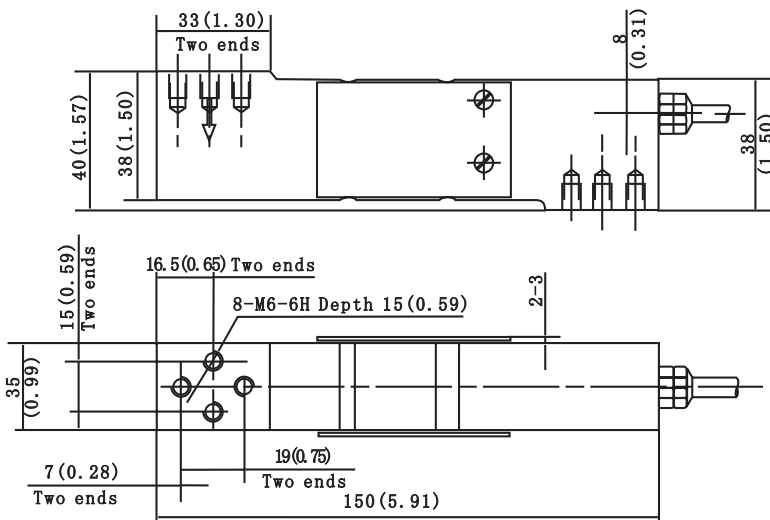
- H6E load cells are available in the capacities 100kg~300kg
- Alloy steel construction, nickel plated, potted by adhesive inside, oil proof, waterproof, anti-corrosive gas and medium sized making it suitable for all kinds of environments
- Single point with parallel beam, suitable for electronic scales, platform scales, belt scales and other electronic weighing devices
- Recommended platform size: 400mm x 400mm



Features

- Capacities: 100kg~300kg
- Alloy steel construction
- High accuracy
- Low profile and easy installation

Specifications		
Capacity	kg	100/150/200/300
Accuracy		C3
Maximum Number of Verification Intervals	Nmax	3000
Minimum Load Cell Verification Interval	Vmin	Emax/10000
Combined Error	(%FS)	±0.020
Creep	(%FS/30min)	±0.016
Temperature Effect on Sensitivity	(%FS/10°C)	±0.011
Temperature Effect on Zero	(%FS/10°C)	±0.015
Output Sensitivity	(mV/V)	2.0±0.2/2.0±0.002
Input Resistance	(Ω)	384±4/400±20
Output Resistance	(Ω)	351±2.0
Insulation Resistance	(MΩ)	≥5000 (50VDC)
Zero Balance	(%FS)	1.5
Temperature, Compensated	(°C)	-10~+40
Temperature, Operating	(°C)	-35~+70
Excitation, Recommended	(V)	5~12 (DC)
Excitation, Max	(V)	18 (DC)
Safe Overload	(%FS)	150
Ultimate Overload	(%FS)	300
Corner Correction		0.02% load value/100mm



Wiring:
Shielded 4 conductor cable ϕ 5mm
Standard Cable Length: 2m

Part Number	Capacity	Ship Weight	Price
H6E-C3-100KG-2B	100KG alloy steel single point metric	4 lb	\$355
H6E-C3-150KG-2B	150KG alloy steel single point metric	4 lb	\$355
H6E-C3-200KG-2B	200KG alloy steel single point metric	4 lb	\$355
H6E-C3-300KG-2B	300KG alloy steel single point metric	4 lb	\$355



L6E3

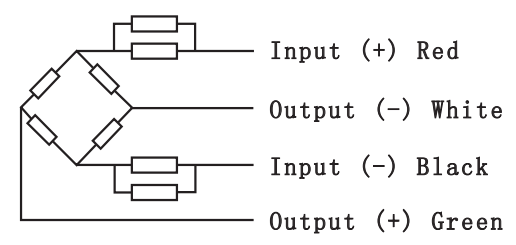
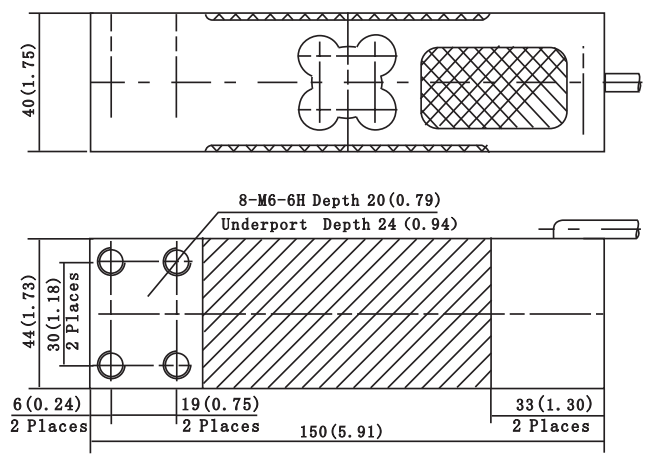
- L6E3 load cells are available in the capacities 50kg~300kg
- Aluminum construction with parallel beam
Silicon adhesive sealed, surface anodized and anti-corrosion
- Integral structure and easy installation
- Suitable for electronic pricing scales, electronic platform scales and other electronic weighing devices



Features

- Capacities: 50kg~300kg
- Max. platform size: 450mm x 450mm
- PTB Approval No.: D09-06.09
- High accuracy
- OIML Cert. No.: R60/2000-CN1-06.08
- NTEP Cert. No.: CC11-062

Specifications		
Capacity	kg	100/150/200/300
Accuracy		C3
Approvals		OIML R60 C3
Maximum Number of Verification Intervals	Nmax	3000
Minimum Number of Verification Intervals	Vmin	Emax/7000
Combined Error	(%FS)	≤±0.020
Creep	(%FS/30min)	≤±0.0167
Temperature Effect on Sensitivity	(%FS/10°C)	≤±0.0175
Temperature Effect on Zero	(%FS/10°C)	≤±0.020
Output Sensitivity	(mV/V)	2.0±0.2
Input Resistance	(Ω)	406±6
Output Resistance	(Ω)	350±3
Insulation Resistance	(MΩ)	≥5000 (50VDC)
Zero Balance	(%FS)	2
Temperature, Compensated	(°C)	-10~+40
Temperature, Operating	(°C)	-35~+65
Excitation, Recommended	(V)	5~12 (DC)
Excitation, Max	(V)	18 (DC)
Safe Overload	(%FS)	120
Ultimate Overload	(%FS)	150
Corner Correction		0.02% load value/100mm



Wiring:
 Shielded 4 conductor cable and cable jacket is PVC
 Cable Length: 3±0.1m
 Cable Diameter: 5.3±0.2mm

Part Number	Capacity	Ship Weight	Price
L6E3-C3-50KG	50KG aluminum single point metric	4 lb	\$100
L6E3-C3-0.1t	100KG aluminum single point metric	4 lb	\$100
L6E3-C3-0.15t	150KG aluminum single point metric	4 lb	\$100
L6E3-C3-0.2t	200KG aluminum single point metric	4 lb	\$100
L6E3-C3-0.25t	250KG aluminum single point metric	4 lb	\$100
L6E3-C3-0.3t	300KG aluminum single point metric	4 lb	\$100

Compatible Products	
Manufacturer	Model
Tedea	1263



L6F

- L6F load cells are available in the capacities 50kg~2000kg
- Aluminum construction with parallel beam
- Silicon adhesive sealed, surface anodized and anti-corrosion
- Integral structure and easy installation
- Suitable for electronic pricing scales, platform scales and other electronic weighing devices

Features

- Capacities: 50kg~2000kg
- High accuracy
- Max. platform size:
50kg~200kg 600mm x 600mm
250kg~500kg 600mm x 800mm
750kg~2000kg 1200mm x 1200mm
- OIML Cert. No.: R60/2000-CN1-06.01 Revision 1
- PTB Approval No.: D09-06.10



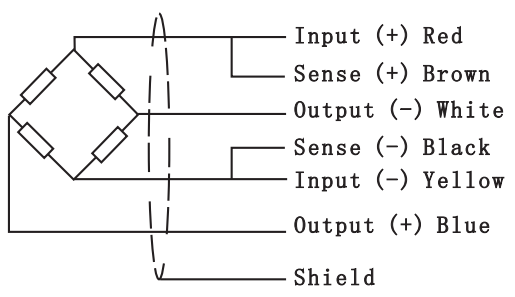
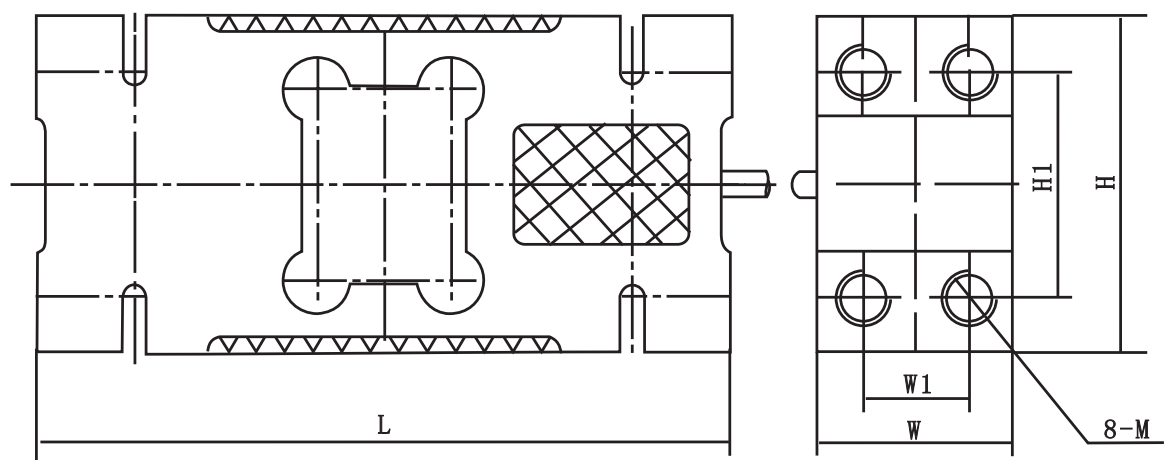
Specifications		
Capacity	kg	50/100/150/200/250/500/750/1000/2000
Accuracy		C3
Approvals		OIML R60 C3
Maximum Number of Verification Intervals	Nmax	3000
Minimum Number of Verification Intervals	Vmin	E _{max} /7000
Combined Error	(%FS)	±0.020
Creep	(%FS/30min)	±0.0167
Temperature Effect on Sensitivity	(%FS/10°C)	±0.0175
Temperature Effect on Zero	(%FS/10°C)	±0.020
Output Sensitivity	(mV/V)	2.0±0.2
Input Resistance	(Ω)	406±6
Output Resistance	(Ω)	350±3
Insulation Resistance	(MΩ)	≥5000 (50VDC)
Zero Balance	(%FS)	2
Temperature, Compensated	(°C)	-10~+40
Temperature, Operating	(°C)	-35~+65
Excitation, Recommended	(V)	5~12 (DC)
Excitation, Max	(V)	18 (DC)
Safe Overload	(%FS)	120
Ultimate Overload	(%FS)	150
Corner Correction		0.02% load value/100mm

Part Number	Capacity	Ship Weight	Price
L6F-C3-50KG	50KG aluminum single point metric	4 lb	\$200
L6F-C3-0.1t	100KG aluminum single point metric	4 lb	\$200
L6F-C3-0.15t	150KG aluminum single point metric	4 lb	\$200
L6F-C3-0.2t	200KG aluminum single point metric	4 lb	\$200
L6F-C3-0.25t	250KG aluminum single point metric	4 lb	\$335
L6F-C3-0.5t	500KG aluminum single point metric	4 lb	\$335
L6F-C3-0.75t	750KG aluminum single point metric	8 lb	\$480
L6F-C3-1t	1000KG aluminum single point metric	8 lb	\$480
L6F-C3-2t	2000KG aluminum single point metric	8 lb	\$480

Compatible Products	
Manufacturer	Model
Tedea	1320
Celtron	HOC



Outline Dimensions mm (inch)						
Dimension	H	H1	L	W	W1	M
Capacity						
50~200kg, 250kgSE	75 (2.95)	50 (1.97)	156 (6.14)	44 (1.73)	24 (0.94)	M12-7H depth 20 (0.79)
250~500kg, 750kgSE	95 (3.74)	70 (2.76)	146 (5.75)	60 (2.36)	36 (1.42)	M12-7H depth 18 (0.71)
750~2000kg	125 (4.92)	85 (3.35)	176 (6.93)	76 (2.99)	46 (1.81)	M16-7H depth 20 (0.79)



Wiring:
 Shielded 6 conductor cable and cable jacket is PVC
 Cable Length: 3±0.1m
 Cable Diameter: 6.2±0.2mm



B6F

- B6F load cells are available in the capacities 100kg~2000kg
- 17-4PH stainless steel construction, potted by adhesive inside, oil proof, waterproof, anti-corrosive gas and medium sized making it suitable for all kinds of environments
- Single point with parallel beam, suitable for electronic scales, platform scales, belt scales and other electronic weighing devices

Features

- Capacities: 100kg~2000kg
- Stainless steel construction
- Max. platform size:
 - 100kg~200kg 400mm x 400mm
 - 250kg~500kg 600mm x 800mm
 - 750kg~2000kg 1200mm x 1200mm
- High accuracy
- Low profile and easy installation
- OIML Cert. No.: R60/2000-NL1-10.31

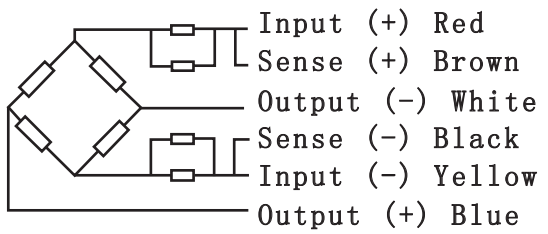
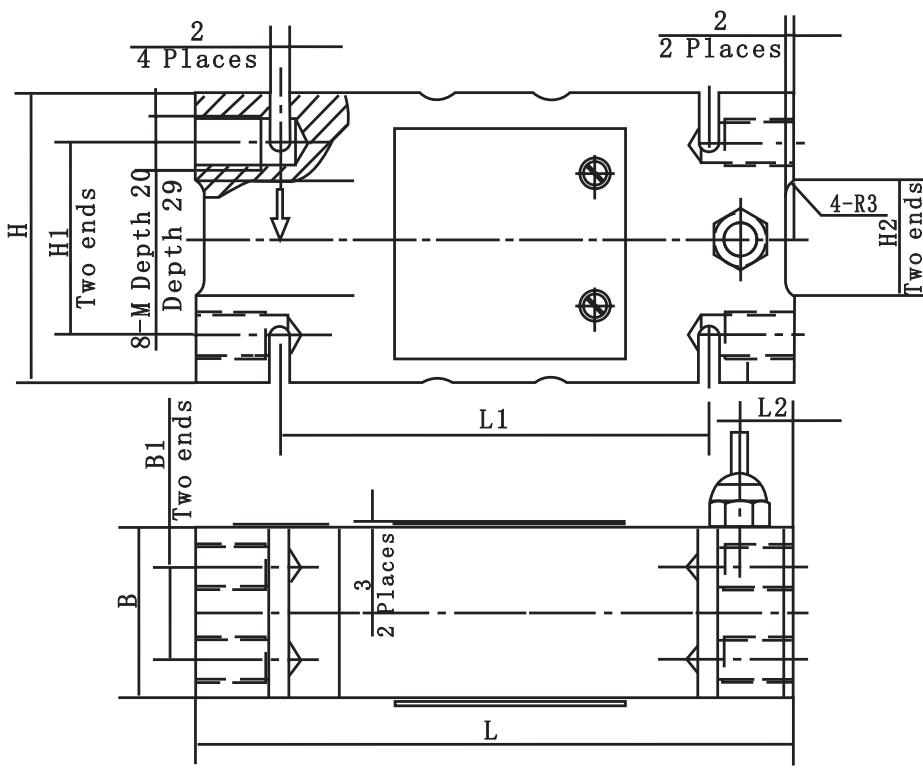


Specifications		
Capacity	kg	100/150/200/250/500/750/1000/2000
Accuracy		C3
Maximum Number of Verification Intervals	Nmax	3000
Minimum Number of Verification Intervals	Vmin	E _{max} /10000
Combined Error	(%FS)	≤±0.020
Creep	(%FS/30min)	≤±0.016
Temperature Effect on Sensitivity	(%FS/10°C)	≤±0.011
Temperature Effect on Zero	(%FS/10°C)	≤±0.015
Output Sensitivity	(mV/V)	2.0±0.2/2.0±0.002
Input Resistance	(Ω)	384±4/400±20
Output Resistance	(Ω)	351±2.0
Insulation Resistance	(MΩ)	≥5000 (50VDC)
Zero Balance	(%FS)	1.5
Temperature, Compensated	(°C)	-10~+40
Temperature, Operating	(°C)	-35~+70
Excitation, Recommended	(V)	5~12 (DC)
Excitation, Max	(V)	18 (DC)
Safe Overload	(%FS)	150
Ultimate Overload	(%FS)	300
Corner Correction		0.02% load value/100mm

Part Number	Capacity	Ship Weight	Price
B6F-C3-0.1t	100KG stainless single point metric	7 lb	\$645
B6F-C3-0.15t	150KG stainless single point metric	7 lb	\$645
B6F-C3-0.2t	200KG stainless single point metric	7 lb	\$645
B6F-C3-0.25t	250KG stainless single point metric	11 lb	\$1,030
B6F-C3-0.5t	500KG stainless single point metric	11 lb	\$1,030
B6F-C3-0.75t	750KG stainless single point metric	22 lb	\$2,645
B6F-C3-1t	1000KG stainless single point metric	22 lb	\$2,645
B6F-C3-2t	2000KG stainless single point metric	24 lb	\$2,645



Outline Dimensions mm (inch)			
Capacity	100kg~200kg	250kg~500kg	750kg~2t
Dimension			
B	44 (1.73)	60 (2.36)	76 (2.99)
B1	24 (0.94)	36 (1.42)	46 (1.81)
H	75 (2.95)	95 (3.74)	125 (4.92)
H1	50 (1.97)	70 (2.76)	95 (3.74)
H2	30 (1.18)	30 (1.18)	65 (2.56)
L	156 (6.14)	146 (5.75)	176 (6.93)
L1	112 (4.4)	110 (4.33)	110 (4.33)
L2	14 (0.55)	11 (0.43)	24 (0.94)
M	M12-7H	M12-7H	M16-7H



Wiring:
 Shielded 4 conductor cable: $\phi 6.2\text{mm}$
 Standard Cable Length: 3m



H6F

- H6F load cells are available in the capacities 100kg~2000kg
- Alloy steel construction, potted by adhesive inside, oil proof, waterproof, anti-corrosive gas and medium sized making it suitable for all kinds of environments
- Single point with parallel beam, suitable for electronic scales, platform scales, belt scales and other electronic weighing devices

Features

- Capacities: 100kg~2000kg
- Alloy steel construction
- Max. platform size:
 - 100kg~200kg 400mm x 400mm
 - 250kg~500kg 600mm x 800mm
 - 750kg~2000kg 1200mm x 1200mm
- High accuracy
- Low profile and easy installation

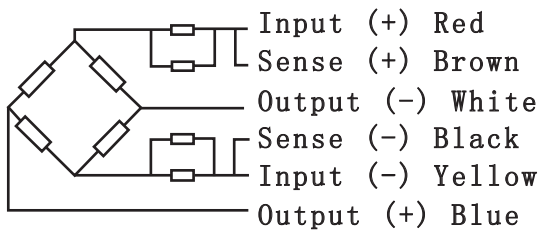
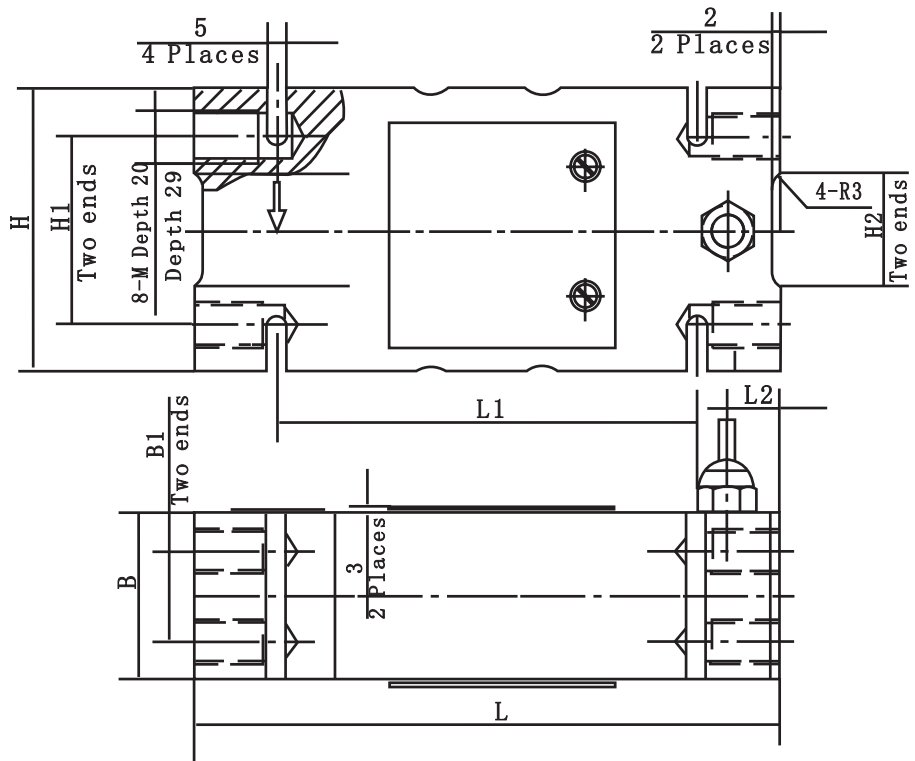


Specifications		
Capacity	kg	100/150/200/250/350/500/750/1000/2000
Accuracy		C3
Maximum Number of Verification Intervals	Nmax	3000
Minimum Number of Verification Intervals	Vmin	E _{max} /10000
Combined Error	(%FS)	≤±0.020
Creep	(%FS/30min)	≤±0.016
Temperature Effect on Sensitivity	(%FS/10°C)	≤±0.011
Temperature Effect on Zero	(%FS/10°C)	≤±0.015
Output Sensitivity	(mV/V)	2.0±0.2/2.0±0.002
Input Resistance	(Ω)	384±4/400±20
Output Resistance	(Ω)	351±2.0
Insulation Resistance	(MΩ)	≥5000 (50VDC)
Zero Balance	(%FS)	1.5
Temperature, Compensated	(°C)	-10~+40
Temperature, Operating	(°C)	-35~+70
Excitation, Recommended	(V)	5~12 (DC)
Excitation, Max	(V)	18 (DC)
Safe Overload	(%FS)	150
Ultimate Overload	(%FS)	300
Corner Correction		0.02% load value/100mm

Part Number	Capacity	Ship Weight	Price
H6F-C3-0.1t	100KG alloy steel single point metric	7 lb	\$455
H6F-C3-0.15t	150KG alloy steel single point metric	7 lb	\$455
H6F-C3-0.21t	200KG alloy steel single point metric	7 lb	\$455
H6F-C3-0.25t	250KG alloy steel single point metric	11 lb	\$455
H6F-C3-0.35t	350KG alloy steel single point metric	11 lb	\$455
H6F-C3-0.5t	500KG alloy steel single point metric	11 lb	\$455
H6F-C3-0.75t	750KG alloy steel single point metric	22 lb	\$1,485
H6F-C3-1t	1000KG alloy steel single point metric	22 lb	\$1,485
H6F-C3-2t	2000KG alloy steel single point metric	24 lb	\$1,485



Outline Dimensions mm (inch)			
Capacity	100kg~200kg	250kg~500kg	750kg~2t
Dimension			
B	44 (1.73)	60 (2.36)	76 (2.99)
B1	24 (0.94)	36 (1.42)	46 (1.81)
H	75 (2.95)	95 (3.74)	125 (4.92)
H1	50 (1.97)	70 (2.76)	95 (3.74)
H2	30 (1.18)	30 (1.18)	65 (2.56)
L	156 (6.14)	146 (5.75)	176 (6.93)
L1	112 (4.4)	110 (4.33)	110 (4.33)
L2	14 (0.55)	11 (0.43)	24 (0.94)
M	M12-7H	M12-7H	M16-7H



Wiring:
 Shielded 4 conductor cable: $\phi 5\text{mm}$
 Standard Cable Length: 3m

Single Point



L6G

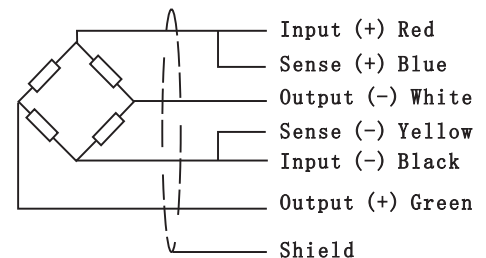
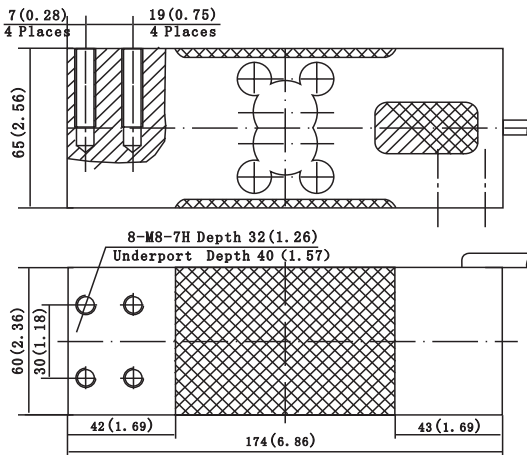
- L6G load cells are available in the capacities 50kg~600kg
- Aluminum construction with parallel beam
- Silicon adhesive sealed, surface anodized and anti-corrosion
- Integral structure and easy installation
- Suitable for electronic pricing scales, platform scales and other electronic weighing devices

Features

- Capacities: 50kg~600kg
- Max. platform size: 600mm x 600mm
- PTB Approval No.: D09-03.22 Revision 2
- High accuracy
- OIML Cert. No.: R60/2000-CN-00.03



Specifications		
Capacity	kg	50/100/150/200/250/300/500/600
Accuracy		C3
Approvals		OIML R60 C3
Maximum Number of Verification Intervals	Nmax	3000
Minimum Number of Verification Intervals	Vmin	E _{max} /7000
Combined Error	(%FS)	≤±0.020
Creep	(%FS/30min)	≤±0.0167
Temperature Effect on Sensitivity	(%FS/10°C)	≤±0.0175
Temperature Effect on Zero	(%FS/10°C)	≤±0.020
Output Sensitivity	(mV/V)	2.0±0.2
Input Resistance	(Ω)	406±6/1065±15
Output Resistance	(Ω)	350±3/1000±10
Insulation Resistance	(MΩ)	≥5000 (50VDC)
Zero Balance	(%FS)	2
Temperature, Compensated	(°C)	-10~+40
Temperature, Operating	(°C)	-35~+65
Excitation, Recommended	(V)	5~12 (DC)
Excitation, Max	(V)	18 (DC)
Safe Overload	(%FS)	120
Ultimate Overload	(%FS)	150
Corner Correction		0.02% load value/100mm



Wiring:

Shielded 6 conductor cable and cable jacket is PVC
 Cable Length: 3±0.1m
 Cable Diameter: 6±0.2mm
 The shield is connected to the element

Part Number	Capacity	Ship Weight	Price
L6G-C3-50KG	50KG aluminum single point metric	4 lb	\$175
L6G-C3-0.1t	100KG aluminum single point metric	4 lb	\$175
L6G-C3-0.15t	150KG aluminum single point metric	4 lb	\$175
L6G-C3-0.2t	200KG aluminum single point metric	4 lb	\$175
L6G-C3-0.25t	250KG aluminum single point metric	4 lb	\$175
L6G-C3-0.3t	300KG aluminum single point metric	4 lb	\$175
L6G-C3-0.5t	500KG aluminum single point metric	4 lb	\$175
L6G-C3-0.6t	600KG aluminum single point metric	4 lb	\$175

Compatible Products	
Manufacturer	Model
Revere	672
Celtron	LOC
Transcell	FAV



B6G

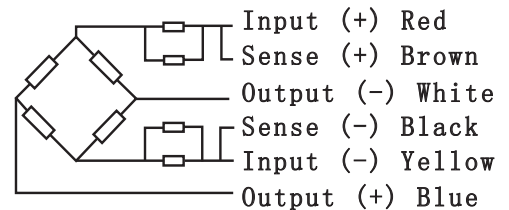
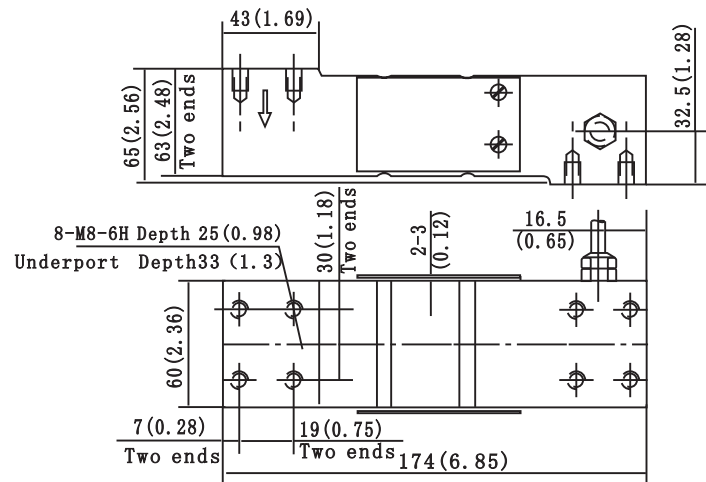
- B6G load cells are available in the capacities 100kg~600kg
- 17-4PH stainless steel construction, potted by adhesive inside, oil proof, waterproof, anti-corrosive gas and medium sized making it suitable for all kinds of environments
- Single point with parallel beam, suitable for electronic scales, platform scales, belt scales and other electronic weighing devices
- Recommended platform size: 600mm x 600mm

Features

- Capacities: 100kg~600kg
- High accuracy
- Stainless steel construction
- Low profile and easy installation



Specifications		
Capacity	kg	100/150/200/250/300/500/600
Accuracy		C3
Maximum Number of Verification Intervals	Nmax	3000
Minimum Load Cell Verification Interval	Vmin	E _{max} /10000
Combined Error	(%FS)	±0.020
Creep	(%FS/30min)	±0.016
Temperature Effect on Sensitivity	(%FS/10°C)	±0.011
Temperature Effect on Zero	(%FS/10°C)	±0.015
Output Sensitivity	(mV/V)	2.0±0.002
Input Resistance	(Ω)	384±4
Output Resistance	(Ω)	351±2.0
Insulation Resistance	(MΩ)	≥5000 (50VDC)
Zero Balance	(%FS)	1.5
Temperature, Compensated	(°C)	-10~+40
Temperature, Operating	(°C)	-35~+70
Excitation, Recommended	(V)	5~12 (DC)
Excitation, Max	(V)	18 (DC)
Safe Overload	(%FS)	150
Ultimate Overload	(%FS)	300
Corner Correction		0.02% load value/100mm



Wiring:

Shielded 6 conductor cable: φ6.2mm
Standard Cable Length: 3m

Part Number	Capacity	Ship Weight	Price
B6G-C3-0.1t	100KG stainless single point metric	7 lb	\$700
B6G-C3-0.15t	150KG stainless single point metric	7 lb	\$700
B6G-C3-0.2t	200KG stainless single point metric	7 lb	\$700
B6G-C3-0.25t	250KG stainless single point metric	7 lb	\$700
B6G-C3-0.3t	300KG stainless single point metric	7 lb	\$700
B6G-C3-0.5t	500KG stainless single point metric	7 lb	\$700
B6G-C3-0.6t	600KG stainless single point metric	7 lb	\$700



H6G

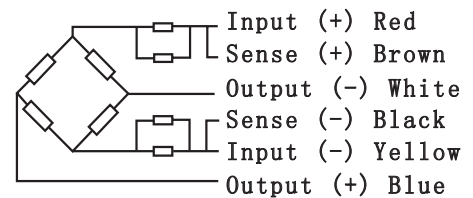
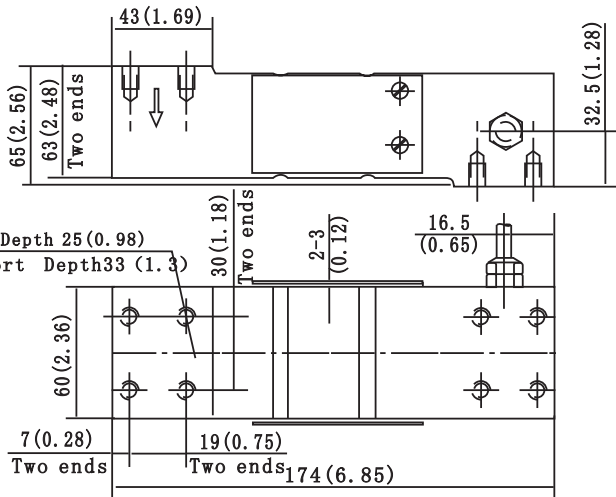
- H6G load cells are available in the capacities 100kg~600kg
- Alloy steel construction, potted by adhesive inside, oil proof, waterproof, anti-corrosive gas and medium sized making it suitable for all kinds of environments
- Single point with parallel beam, suitable for electronic scales, platform scales, belt scales and other electronic weighing devices
- Recommended platform size: 600mm x 600mm

Features

- Capacities: 100kg~600kg
- Alloy steel construction
- High accuracy
- Low profile and easy installation



Specifications		
Capacity	kg	100/150/200/250/300/500/600
Accuracy		C3
Maximum Number of Verification Intervals	Nmax	3000
Minimum Number of Verification Intervals	Vmin	Emax/10000
Combined Error	(%FS)	≤±0.020
Creep	(%FS/30min)	≤±0.016
Temperature Effect on Sensitivity	(%FS/10°C)	≤±0.011
Temperature Effect on Zero	(%FS/10°C)	≤±0.015
Output Sensitivity	(mV/V)	2.0±0.002
Input Resistance	(Ω)	384±4
Output Resistance	(Ω)	351±2.0
Insulation Resistance	(MΩ)	≥5000 (50VDC)
Zero Balance	(%FS)	1.5
Temperature, Compensated	(°C)	-10~+40
Temperature, Operating	(°C)	-35~+70
Excitation, Recommended	(V)	5~12 (DC)
Excitation, Max	(V)	18 (DC)
Safe Overload	(%FS)	150
Ultimate Overload	(%FS)	300
Corner Correction		0.02% load value/100mm



Wiring:

Shielded 6 conductor cable ϕ 6.2mm
Standard Cable Length: 3m

Part Number	Capacity	Ship Weight	Price
H6G-C3-0.1t	100KG alloy steel single point metric	7 lb	\$420
H6G-C3-0.15t	150KG alloy steel single point metric	7 lb	\$420
H6G-C3-0.2t	200KG alloy steel single point metric	7 lb	\$420
H6G-C3-0.25t	250KG alloy steel single point metric	7 lb	\$420
H6G-C3-0.3t	300KG alloy steel single point metric	7 lb	\$420
H6G-C3-0.5t	500KG alloy steel single point metric	7 lb	\$420
H6G-C3-0.6t	600KG alloy steel single point metric	7 lb	\$420

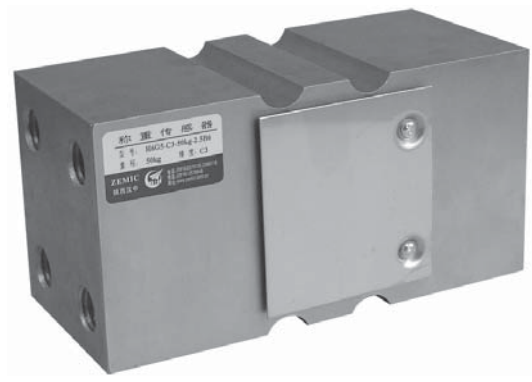


H6G5

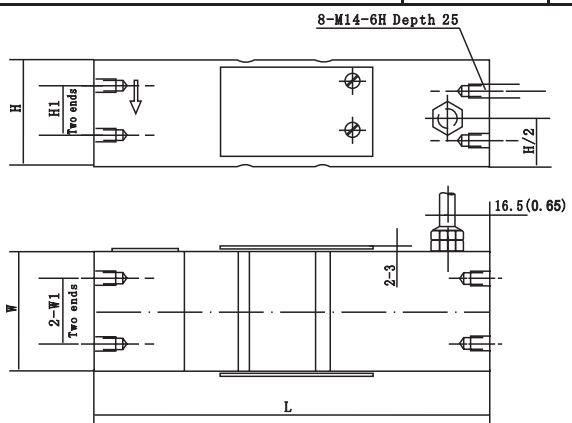
- H6G5 load cells are available in the capacities 50kg~2000kg
- Alloy steel construction, potted by adhesive inside, oil proof, waterproof, anti-corrosive gas and medium sized making it suitable for all kinds of environments
- Single point with parallel beam, suitable for electronic scales, platform scales, belt scales and other electronic weighing devices

Features

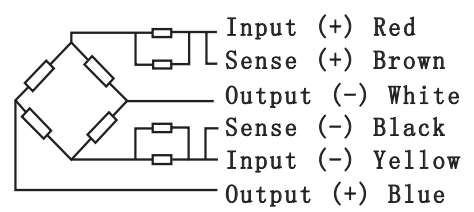
- Capacities: 50kg~200kg
- Alloy steel construction
- Max. platform size:
50kg~1t 600mm x 800mm
1.5t~2t 1000mm x 1000mm
- High accuracy
- Low profile and easy installation



Specifications		
Capacity	t	0.05/0.1/0.15/0.2/0.25/0.3/0.5/1/2
Accuracy		C3
Maximum Number of Verification Intervals	Nmax	3000
Minimum Load Cell Verification Interval	Vmin	Emax/10000
Combined Error	(%FS)	≤±0.020
Creep	(%FS/30min)	≤±0.016
Temperature Effect on Sensitivity	(%FS/10°C)	≤±0.011
Temperature Effect on Zero	(%FS/10°C)	≤±0.015
Output Sensitivity	(mV/V)	2.0±0.002
Input Resistance	(Ω)	384±4
Output Resistance	(Ω)	351±2.0
Insulation Resistance	(MΩ)	≥5000 (50VDC)
Zero Balance	(%FS)	1.5
Temperature, Compensated	(°C)	-10~+40
Temperature, Operating	(°C)	-35~+70
Excitation, Recommended	(V)	5~12 (DC)
Excitation, Max	(V)	18 (DC)
Safe Overload	(%FS)	120
Ultimate Overload	(%FS)	150
Corner Correction		0.02% load value/100mm



Outline Dimensions mm (inch)		
Capacity	50kg~1t	1.5t~2t
Dimension		
L	150 (5.91)	150 (5.91)
H	77 (3.03)	88 (3.46)
H1	46 (1.81)	55 (2.17)
W	68 (2.68)	76 (2.99)
W1	35 (1.50)	42 (1.65)



Part Number	Capacity	Ship Weight	Price
H6G5-C3-50KG	50KG alloy steel single point metric	10 lb	\$460
H6G5-C3-0.1t	100KG alloy steel single point metric	10 lb	\$460
H6G5-C3-0.15t	150KG alloy steel single point metric	10 lb	\$460
H6G5-C3-0.2t	200KG alloy steel single point metric	10 lb	\$460
H6G5-C3-0.25t	250KG alloy steel single point metric	10 lb	\$460
H6G5-C3-0.3t	300KG alloy steel single point metric	10 lb	\$460
H6G5-C3-0.5t	500KG alloy steel single point metric	10 lb	\$460
H6G5-C3-1.0t	1T alloy steel single point metric	10 lb	\$460
H6G5-C3-2.0t	2T alloy steel single point metric	10 lb	\$460

Wiring:
Shielded 4 conductor cable: φ6.2mm
Standard Cable Length: 3m

Single Point



L6H5

- L6H5 load cells are available in the capacities 4kg~20kg
- Aluminum construction with parallel beam
- Silicon adhesive sealed, surface anodized and anti-corrosion
- Integral structure and easy installation
- Suitable for electronic balance and other electronic weighing devices

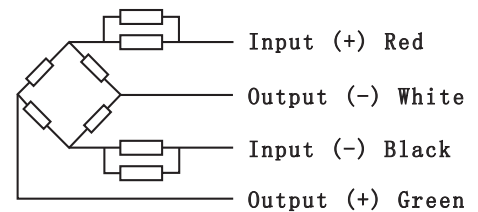
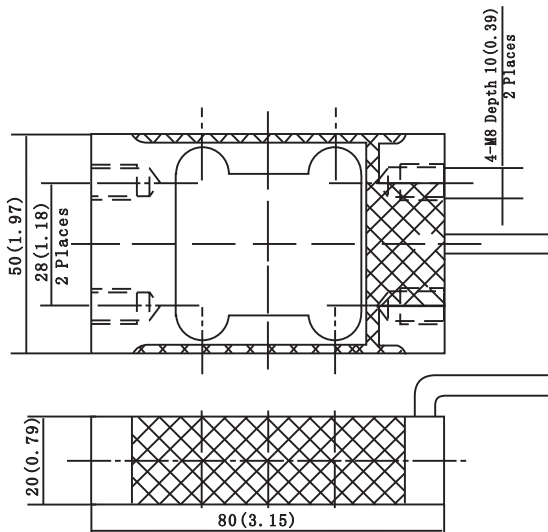
Features

- Capacities: 4kg~20kg
- High accuracy
- Max. platform size: 200mm x 200mm
- OIML Cert. No.: R60/2000-NL1-10.23



Specifications		
Capacity	kg	4/5/6/8/10/20
Accuracy		C3D
Maximum Number of Verification Intervals	Nmax	2500
Minimum Number of Verification Intervals	Vmin	E _{max} /5000
Combined Error	(%FS)	≤±0.030
Creep	(%FS/30min)	≤±0.020
Temperature Effect on Sensitivity	(%FS/10°C)	≤±0.020
Temperature Effect on Zero	(%FS/10°C)	≤±0.020
Output Sensitivity	(mV/V)	2.0±0.2
Input Resistance	(Ω)	406±6
Output Resistance	(Ω)	350±3
Insulation Resistance	(MΩ)	≥5000 (50VDC)
Zero Balance	(%FS)	2
Temperature, Compensated	(°C)	-10~+40
Temperature, Operating	(°C)	-35~+65
Excitation, Recommended	(V)	5~12 (DC)
Excitation, Max	(V)	18 (DC)
Safe Overload	(%FS)	120
Ultimate Overload	(%FS)	150
Corner Correction		0.02% load value/100mm

Single Point



Wiring:

Shielded 4 conductor cable and cable jacket is PVC
 Cable Length: 0.17±0.05m
 Cable Diameter: 3.8±0.2mm

Part Number	Capacity	Ship Weight	Price
L6H5-C3D-4KG	4KG aluminum single point metric	2 lb	\$105
L6H5-C3D-5KG	5KG aluminum single point metric	2 lb	\$105
L6H5-C3D-6KG	6KG aluminum single point metric	2 lb	\$105
L6H5-C3D-8KG	8KG aluminum single point metric	2 lb	\$105
L6H5-C3D-10KG	10KG aluminum single point metric	2 lb	\$105
L6H5-C3D-20KG	20KG aluminum single point metric	2 lb	\$105



L6J

- L6J load cells are available in the capacities 1kg~20kg
- Aluminum construction with parallel beam
- Silicon adhesive sealed, surface anodized and anti-corrosion
- Integral structure and easy installation
- Suitable for electronic balance and other electronic weighing devices

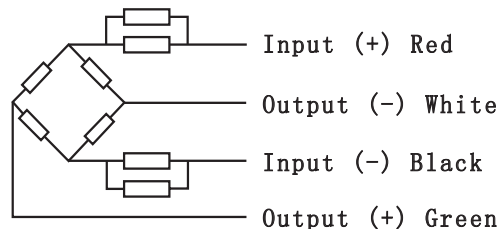
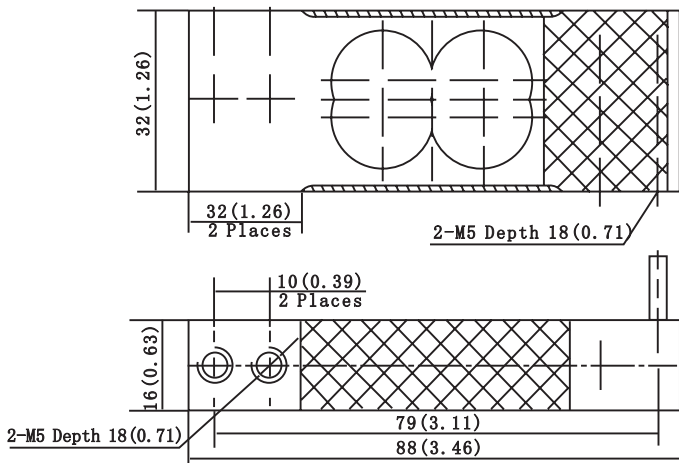
Features

- Capacities: 1kg~20kg
- High accuracy
- Max. platform size: 200mm x 200mm



Specifications		
Capacity	kg	1/2/3/5/8/10/15/20
Accuracy		C3D
Maximum Number of Verification Intervals	Nmax	2500
Minimum Load Cell Verification Interval	Vmin	Emax/5000
Combined Error	(%FS)	≤±0.030
Creep	(%FS/30min)	≤±0.020
Temperature Effect on Sensitivity	(%FS/10°C)	≤±0.020
Temperature Effect on Zero	(%FS/10°C)	≤±0.020
Output Sensitivity	(mV/V)	1.5±0.2
Input Resistance	(Ω)	406±6
Output Resistance	(Ω)	350±3
Insulation Resistance	(MΩ)	≥5000 (50VDC)
Zero Balance	(%FS)	2
Temperature, Compensated	(°C)	-10~+40
Temperature, Operating	(°C)	-35~+65
Excitation, Recommended	(V)	5~12 (DC)
Excitation, Max	(V)	18 (DC)
Safe Overload	(%FS)	120
Ultimate Overload	(%FS)	150
Corner Correction		0.02% load value/100mm

Single Point



Wiring:

Shielded 4 conductor cable and cable jacket is PVC
 Cable Length: 0.45±0.05m
 Cable Diameter: 3.0±0.2mm

Part Number	Capacity	Ship Weight	Price
L6J-C3D-1KG	1KG aluminum single point metric	2 lb	\$80
L6J-C3D-2KG	2KG aluminum single point metric	2 lb	\$80
L6J-C3D-3KG	3KG aluminum single point metric	2 lb	\$80
L6J-C3D-5KG	5KG aluminum single point metric	2 lb	\$80
L6J-C3D-8KG	8KG aluminum single point metric	2 lb	\$80
L6J-C3D-10KG	10KG aluminum single point metric	2 lb	\$80
L6J-C3D-15KG	15KG aluminum single point metric	2 lb	\$80
L6J-C3D-20KG	20KG aluminum single point metric	2 lb	\$80



L6J1

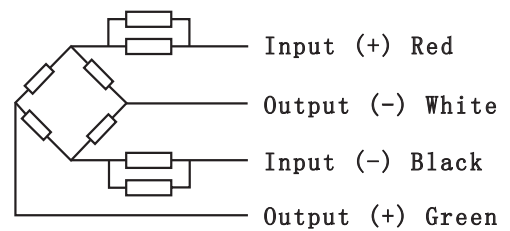
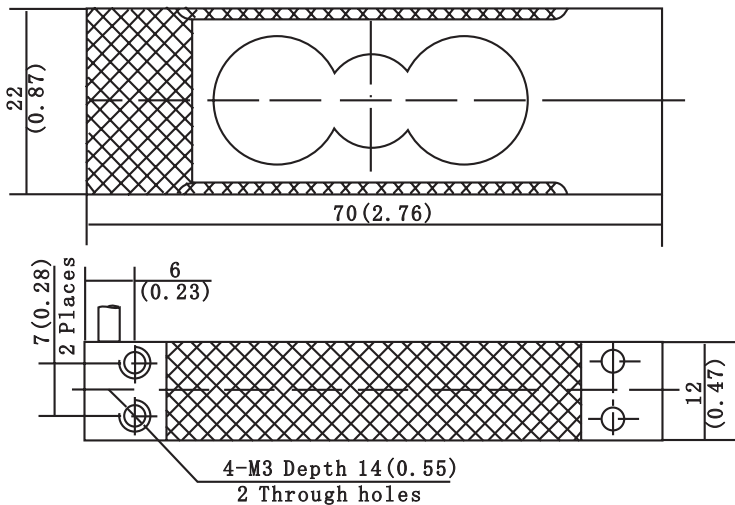
- L6J1 load cells are available in the capacities 0.3kg~3kg
- Aluminum construction with parallel beam
- Silicon adhesive sealed, surface anodized and anti-corrosion
- Integral structure and easy installation
- Suitable for electronic balance and other electronic weighing devices

Features

- Capacities: 0.3kg~3kg
- High accuracy
- Max. platform size: 200mm x 200mm



Specifications		
Capacity	kg	0.3/0.4/0.5/0.6/1/3
Accuracy		C3D
Maximum Number of Verification Intervals	Nmax	2500
Minimum Number of Verification Intervals	Vmin	E _{max} /5000
Combined Error	(%FS)	≤±0.030
Creep	(%FS/30min)	≤±0.020
Temperature Effect on Sensitivity	(%FS/10°C)	≤±0.030
Temperature Effect on Zero	(%FS/10°C)	≤±0.030
Output Sensitivity	(mV/V)	1.0±0.01
Input Resistance	(Ω)	394±6
Output Resistance	(Ω)	350±3
Insulation Resistance	(MΩ)	≥5000 (50VDC)
Zero Balance	(%FS)	2
Temperature, Compensated	(°C)	-10~+40
Temperature, Operating	(°C)	-35~+65
Excitation, Recommended	(V)	5~12 (DC)
Excitation, Max	(V)	18 (DC)
Safe Overload	(%FS)	120
Ultimate Overload	(%FS)	150
Corner Correction		0.02% load value/100mm



Wiring:

Shielded 4 conductor cable and cable jacket is PVC
 Cable Length: 0.45±0.05m
 Cable Diameter: 3.0±0.2mm

Part Number	Capacity	Ship Weight	Price
L6J1-C3D-0.3KG	0.3KG aluminum single point metric	2 lb	\$100
L6J1-C3D-0.4KG	0.4KG aluminum single point metric	2 lb	\$100
L6J1-C3D-0.5KG	0.5KG aluminum single point metric	2 lb	\$100
L6J1-C3D-0.6KG	0.6KG aluminum single point metric	2 lb	\$100
L6J1-C3D-1KG	1KG aluminum single point metric	2 lb	\$100
L6J1-C3D-3KG	3KG aluminum single point metric	2 lb	\$100

Compatible Products	
Manufacturer	Model
Tedea	1006



L6L

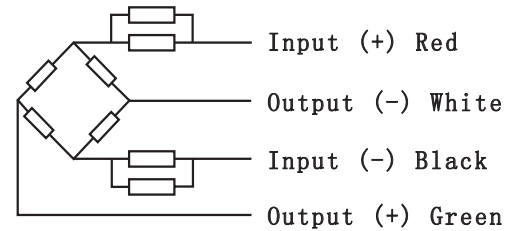
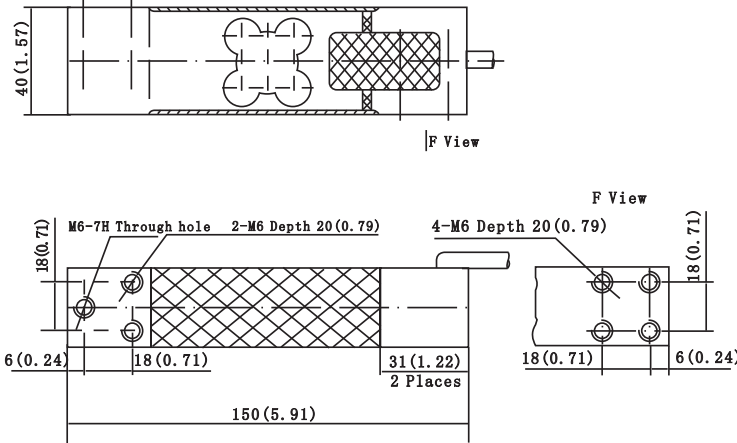
- L6L load cells are available in the capacities 5kg~200kg
- Aluminum construction with parallel beam
- Silicon adhesive sealed, surface anodized and anti-corrosion
- Integral structure and easy installation
- Suitable for electronic balance and other electronic weighing devices

Features

- Capacities: 5kg~200kg
- High accuracy
- Max. platform size: 350mm x 400mm



Specifications		
Capacity	kg	5/8/10/15/20/30/50/80/100/150/200
Accuracy		C3D
Maximum Number of Verification Intervals	Nmax	2500
Minimum Load Cell Verification Interval	Vmin	Emax/5000
Combined Error	(%FS)	≤±0.030
Creep	(%FS/30min)	≤±0.020
Temperature Effect on Sensitivity	(%FS/10°C)	≤±0.021
Temperature Effect on Zero	(%FS/10°C)	≤±0.028
Output Sensitivity	(mV/V)	2.0±0.2
Input Resistance	(Ω)	394±6
Output Resistance	(Ω)	350±3
Insulation Resistance	(MΩ)	≥5000 (50VDC)
Zero Balance	(%FS)	2
Temperature, Compensated	(°C)	-10~+40
Temperature, Operating	(°C)	-35~+65
Excitation, Recommended	(V)	5~12 (DC)
Excitation, Max	(V)	18 (DC)
Safe Overload	(%FS)	120
Ultimate Overload	(%FS)	150
Corner Correction		0.02% load value/100mm



Wiring:

Shielded 4 conductor cable and cable jacket is PVC
 Cable Length: 1.0±0.05m
 Cable Diameter: 5.3±0.2mm

Part Number	Capacity	Ship Weight	Price
L6L-C3D-5KG	5KG aluminum single point metric	4 lb	\$105
L6L-C3D-8KG	8KG aluminum single point metric	4 lb	\$105
L6L-C3D-10KG	10KG aluminum single point metric	4 lb	\$105
L6L-C3D-15KG	15KG aluminum single point metric	4 lb	\$105
L6L-C3D-20KG	20KG aluminum single point metric	4 lb	\$105
L6L-C3D-30KG	30KG aluminum single point metric	4 lb	\$105
L6L-C3D-50KG	50KG aluminum single point metric	4 lb	\$115
L6L-C3D-80KG	80KG aluminum single point metric	4 lb	\$115
L6L-C3D-100KG	100KG aluminum single point metric	4 lb	\$115
L6L-C3D-150KG	150KG aluminum single point metric	4 lb	\$115
L6L-C3D-200KG	200KG aluminum single point metric	4 lb	\$115



B6N

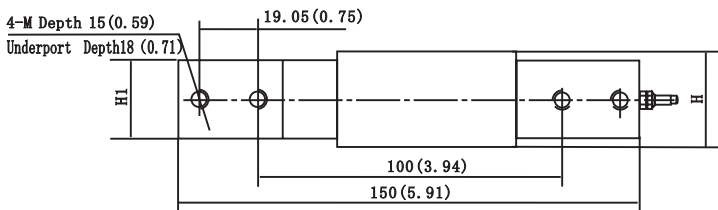
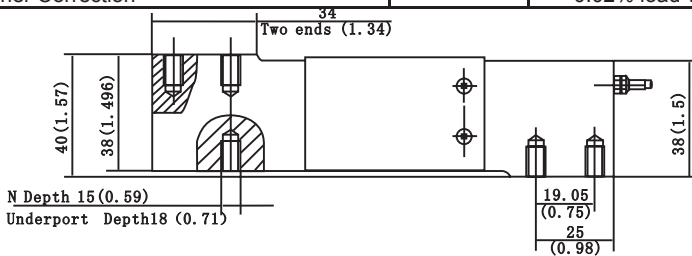
- B6N load cells are available in the capacities 15kg~200kg
- 17-4PH stainless steel construction, potted by adhesive inside, oil proof, waterproof, anti-corrosive gas and medium sized making it suitable for all kinds of environments
- Single point with parallel beam, suitable for electronic scales, platform scales, belt scales and other electronic weighing devices
- Recommended platform size: 400mm x 400mm



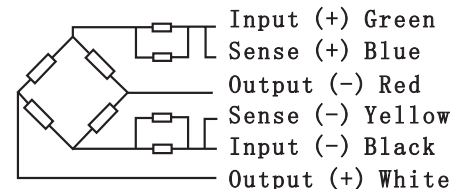
Features

- Capacities: 15kg~200kg
- Stainless steel construction
- OIML Cert. No.: R60/2000-NL1-11.27
- High accuracy
- Low profile and easy installation

Specifications		
Capacity	kg	15/20/30/50/75/100/150/200
Accuracy		C3
Maximum Number of Verification Intervals	Nmax	3000
Minimum Number of Verification Intervals	Vmin	Emax/10000
Combined Error	(%FS)	±0.020
Creep	(%FS/30min)	±0.016
Temperature Effect on Sensitivity	(%FS/10°C)	±0.011
Temperature Effect on Zero	(%FS/10°C)	±0.015
Output Sensitivity	(mV/V)	2.0±0.002
Input Resistance	(Ω)	384±4
Output Resistance	(Ω)	351±2.0
Insulation Resistance	(MΩ)	≥5000 (50VDC)
Zero Balance	(%FS)	1.5
Temperature, Compensated	(°C)	-10~+40
Temperature, Operating	(°C)	-35~+70
Excitation, Recommended	(V)	5~12 (DC)
Excitation, Max	(V)	18 (DC)
Safe Overload	(%FS)	150
Ultimate Overload	(%FS)	300
Corner Correction		0.02% load value/100mm



- Machining thread hole M and N are based on customers' requirements
- When customers require imperial:
Thread hole M is 1/4-20UNC-2B
Thread hole N is 1/4-28UNF-2B
- When customers require metric:
Both thread holes M and N are M6-6H
and there will be an "M" under exit hole



Part Number	Capacity	Ship Weight	Price
B6N-C3-15KG	15KG stainless steel point metric	2 lb	\$420
B6N-C3-20KG	20KG stainless steel point metric	2 lb	\$420
B6N-C3-30KG	30KG stainless steel point metric	2 lb	\$420
B6N-C3-50KG	50KG stainless steel point metric	2 lb	\$420
B6N-C3-75KG	75KG stainless steel point metric	2 lb	\$420
B6N-C3-0.1t	100KG stainless steel point metric	2 lb	\$420
B6N-C3-0.15t	150KG stainless steel point metric	2 lb	\$420
B6N-C3-2t	200KG stainless steel point metric	2 lb	\$420
B6N-C3-30KG-3B6	30KG stainless steel point metric	2 lb	\$420
B6N-C3-50KG-3B6	50KG stainless steel point metric	2 lb	\$420
B6N-C3-75KG-3B6	75KG stainless steel point metric	2 lb	\$420

Wiring:

Shielded 4 conductor cable: φ5mm
Standard Cable Length: 1m (15kg-2t); 3m (30kg-75kg)



L6W

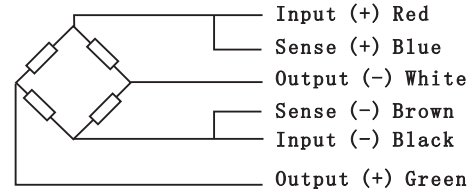
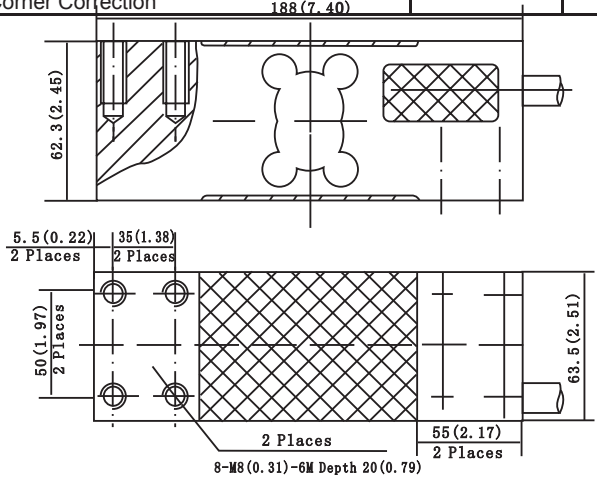
- L6W load cells are available in the capacities 50kg~635kg
- Aluminum construction with parallel beam
- Silicon adhesive sealed, surface anodized and anti-corrosion
- Integral structure and easy installation
- Suitable for electronic balance and other electronic weighing devices
- Recommended platform size:
50kg~200kg; 600mm x 600mm 250kg~635kg; 600mm x 800mm



Features

- Capacities: 50kg~635kg
- High accuracy
- NTEP Cert.No.: 12-0006
- OIML Cert. No.: R60/2000-CNI-06.03
- PTB Approval No.: D09-06.12

Specifications		
Capacity	kg	50/100/150/200/250/300/500/635
Accuracy		C3
Approvals		OIML R60 C3
Maximum Number of Verification Intervals	Nmax	3000
Minimum Number of Verification Intervals	Vmin	E _{max} /7000
Combined Error	(%FS)	≤±0.020
Creep	(%FS/30min)	≤±0.0167
Temperature Effect on Sensitivity	(%FS/10°C)	≤±0.0175
Temperature Effect on Zero	(%FS/10°C)	≤±0.020
Output Sensitivity	(mV/V)	2.0±0.2
Input Resistance	(Ω)	406±6
Output Resistance	(Ω)	350±3
Insulation Resistance	(MΩ)	≥5000 (50VDC)
Zero Balance	(%FS)	2
Temperature, Compensated	(°C)	-10~+40
Temperature, Operating	(°C)	-35~+70
Excitation, Recommended	(V)	5~12 (DC)
Excitation, Max	(V)	18 (DC)
Safe Overload	(%FS)	150
Ultimate Overload	(%FS)	300
Corner Correction		0.02% load value/100mm



Wiring:
Shielded 4 conductor cable and cable jacket is PVC
Cable Length: 3.0±0.1m
Cable Diameter: 4.7±0.2mm

Part Number	Capacity	Ship Weight	Price
L6W-C3-50KG	50KG aluminum single point metric	4 lb	\$215
L6W-C3-100KG	100KG aluminum single point metric	4 lb	\$215
L6W-C3-150KG	150KG aluminum single point metric	4 lb	\$215
L6W-C3-200KG	200KG aluminum single point metric	4 lb	\$215
L6W-C3-250KG	250KG aluminum single point metric	4 lb	\$215
L6W-C3-300KG	300KG aluminum single point metric	4 lb	\$215
L6W-C3-500KG	500KG aluminum single point metric	4 lb	\$215
L6W-C3-635KG	635KG aluminum single point metric	4 lb	\$215

Single Point



BM6A

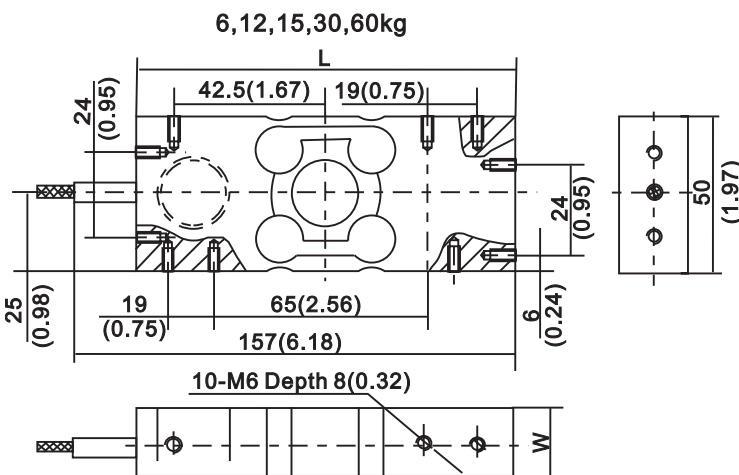
- BM6A load cells are available in the capacities 6kg~60kg and 25lb~100lb
- 17-4PH stainless steel construction, potted by adhesive inside, oil proof, waterproof, anti-corrosive gas and medium making it suitable for all kinds of environments
- Single point with parallel beam, suitable for electronic scales, platform scales, belt scales, packaging scales and other electronic weighing devices
- Recommended platform size: 300mm x 300mm



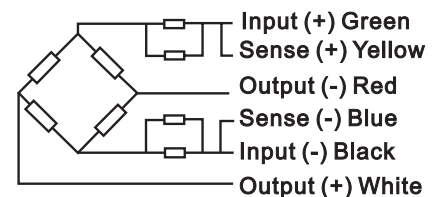
Features

- Capacities: 6kg~60kg
- Stainless steel construction
- OIML Cert. No.: R60/20000-NL1-10.32
- High accuracy
- Low profile and easy installation

Specifications		
Capacity	kg	6/12/30/60
Accuracy		C3
Maximum Number of Verification Intervals	Nmax	3000
Minimum Load Cell Verification Interval	Vmin	Emax/10000
Combined Error	(%FS)	≤±0.020
Creep	(%FS/30min)	≤±0.016
Temperature Effect on Sensitivity	(%FS/10°C)	≤±0.011
Temperature Effect on Zero	(%FS/10°C)	≤±0.015
Output Sensitivity	(mV/V)	2.0±0.2/2.0±0.002/3.0±0.2
Input Resistance	(Ω)	400±20
Output Resistance	(Ω)	351±2.0
Insulation Resistance	(MΩ)	≥5000 (50VDC)
Zero Balance	(%FS)	1.5
Temperature, Compensated	(°C)	-10~+40
Temperature, Operating	(°C)	-35~+70
Excitation, Recommended	(V)	5~12 (DC)
Excitation, Max	(V)	18 (DC)
Safe Overload	(%FS)	150
Ultimate Overload	(%FS)	300
Corner Correction		0.02% load value/100mm



Outline Dimensions mm (inch)			
Dimension	L	H	W
Capacity			
6, 12, 15, 30kg	130 (5.12)	50 (1.96)	18.5 (0.73)
60kg	130 (5.12)	50 (1.96)	23.5 (0.92)



Wiring:

Standard length for 6 conductor cable: 6m
Cable Diameter: $\Phi 5 \pm 0.2$ mm

Part Number	Capacity	Ship Weight	Price
BM6A-C3-6KG	6KG stainless steel single point metric	4 lb	\$605
BM6A-C3-12KG	12KG stainless steel single point metric	4 lb	\$605
BM6A-C3-30KG	30KG stainless steel single point metric	4 lb	\$605
BM6A-C3-60KG	60KG stainless steel single point metric	4 lb	\$605

Compatible Products	
Manufacturer	Model
Sensortronics	60064



BM6E

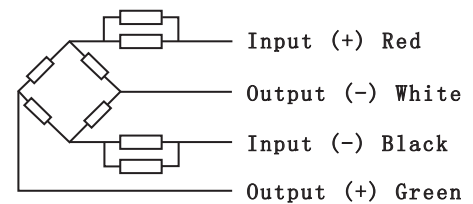
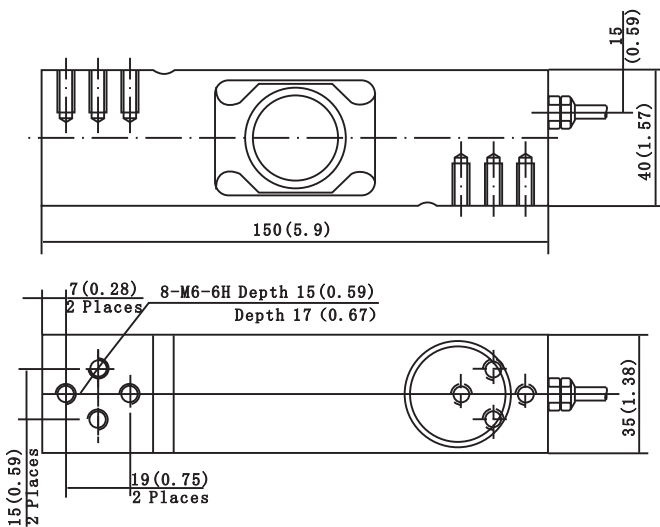
- BM6E load cells are available in the capacities 3kg~300kg
- Stainless steel construction, hermetically welded oil proof, waterproof, anti-corrosive gas and medium sized making it suitable for all kinds of environments
- Single point with parallel beam, suitable for electronic scales, platform scales, belt scales and other electronic weighing devices
- Recommended platform size: 600mm x 600mm

Features

- Capacities: 3kg~300kg
- High accuracy
- Stainless steel construction
- Low profile and easy installation



Specifications		
Capacity	kg	3/50/100/200/300
Accuracy		C3
Maximum Number of Verification Intervals	Nmax	3000
Minimum Number of Verification Intervals	Vmin	E _{max} /10000
Combined Error	(%FS)	±0.020
Creep	(%FS/30min)	±0.016
Temperature Effect on Sensitivity	(%FS/10°C)	±0.011
Temperature Effect on Zero	(%FS/10°C)	±0.015
Output Sensitivity	(mV/V)	2.0±0.2/2.0±0.002
Input Resistance	(Ω)	350±3.5
Output Resistance	(Ω)	351±2.0
Insulation Resistance	(MΩ)	≥5000 (50VDC)
Zero Balance	(%FS)	1.5
Temperature, Compensated	(°C)	-10~+40
Temperature, Operating	(°C)	-35~+70
Excitation, Recommended	(V)	5~12 (DC)
Excitation, Max	(V)	18 (DC)
Safe Overload	(%FS)	150
Ultimate Overload	(%FS)	300
Corner Correction		0.02% load value/100mm



Wiring:

Shielded 4 conductor cable: Φ5mm
Standard Cable Length: 2m

Part Number	Capacity	Ship Weight	Price
BM6E-C3-3KG	3KG stainless single point metric	-	\$715
BM6E-C3-50KG	50KG stainless single point metric	-	\$715
BM6E-C3-100KG	100KG stainless single point metric	-	\$715
BM6E-C3-200KG	200KG stainless single point metric	-	\$715
BM6E-C3-300KG	300KG stainless single point metric	-	\$715



BM6G

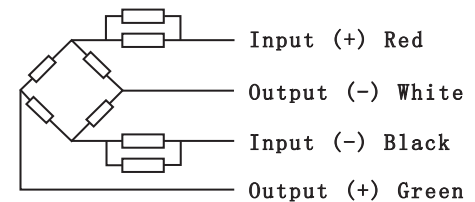
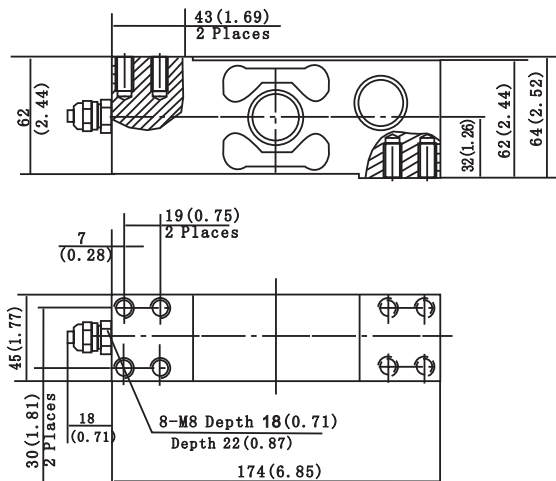
- BM6G load cells are available in the capacities 75kg~500kg
- 17-4PH stainless steel construction, potted by adhesive inside, oil proof, waterproof, anti-corrosive gas and medium sized making it suitable for all kinds of environments
- Single point with parallel beam, suitable for electronic scales, platform scales, belt scales and other electronic weighing devices
- Safe and anti-explosive product, can be used in atrocious environments and hazardous areas
- Recommended platform size: 800mm x 800mm



Features

- Capacities: 200kg~500kg
- Stainless steel construction
- OIML Cert. No.: R60/20000-NL1-11.29
- NTEP Cert. No.: 12-017
- High accuracy
- Low profile and easy installation
- PTB Approval No.: D09-10.06

Specifications		
Capacity	kg	200/300/400/500
Accuracy		C3
Approvals		OIML R60 C3
Maximum Number of Verification Intervals	Nmax	3000
Minimum Load Cell Verification Interval	Vmin	Emax/10000
Combined Error	(%FS)	±0.020
Creep	(%FS/30min)	±0.016
Temperature Effect on Sensitivity	(%FS/10°C)	±0.011
Temperature Effect on Zero	(%FS/10°C)	±0.015
Output Sensitivity	(mV/V)	2.0±0.2/2.0±0.002
Input Resistance	(Ω)	350±3.5
Output Resistance	(Ω)	350±3.5
Insulation Resistance	(MΩ)	≥5000 (50VDC)
Zero Balance	(%FS)	1.5
Temperature, Compensated	(°C)	-10~+40
Temperature, Operating	(°C)	-35~+70
Excitation, Recommended	(V)	5~12 (DC)
Excitation, Max	(V)	18 (DC)
Safe Overload	(%FS)	150
Ultimate Overload	(%FS)	300
Corner Correction		0.02% load value/100mm



Wiring:

Shielded 4 conductor cable: Φ5mm
Standard Cable Length: 3m

Part Number	Capacity	Ship Weight	Price
BM6G-C3-0.2t	200KG stainless single point metric	7 lb	\$805
BM6G-C3-0.3t	300KG stainless single point metric	7 lb	\$805
BM6G-C3-0.4t	400KG stainless single point metric	7 lb	\$805
BM6G-C3-0.5t	500KG stainless single point metric	7 lb	\$805

Single Point

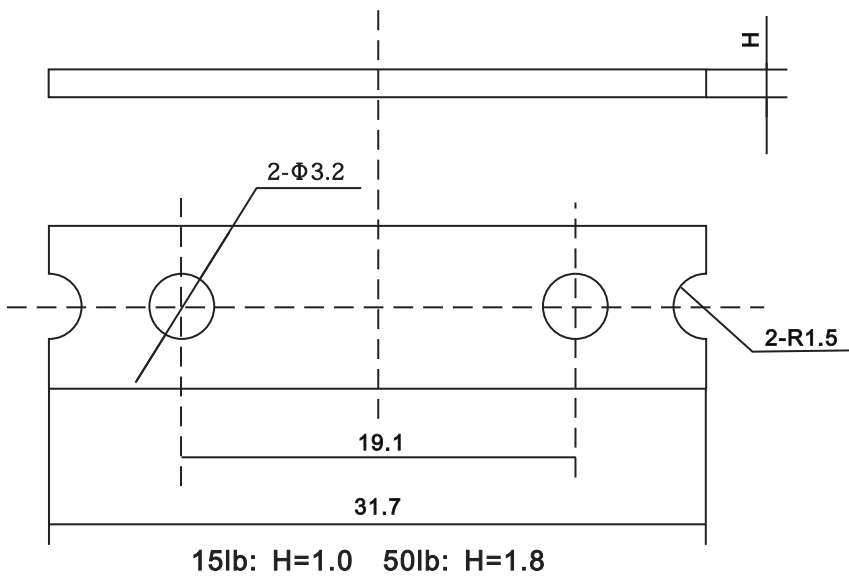


2A



Specifications	
Capacity	15 lb, 50 lb
Comprehensive Error	0.1
Output Sensitivity	1.5±0.15mV/V
Nonlinearity	±0.1%F.S.
Repeatability	±0.1%F.S.
Hysteresis	±0.1%F.S.
Creep	±0.1%F.S. 5min
Temperature Effect on Zero	±0.3%F.S./10°C
Temperature Effect on Output	±0.3%F.S./10°C
Zero Output	±0.1mV/V
Input Resistance	350±50Ω
Output Resistance	350±50Ω
Insulation Resistance	≥2000MΩ(50V)
Excitation Voltage	≤6V
Operation Temperature Range	-10-+40°C
Overload Capacity	150%F.S.
Recommended Use	Fishing Scales

Outline Dimensions mm (inch)



Part Number	Description	Ship Weight	Price
2A-F-15lb	LC, stainless steel / no thread miniature sensor	1 lb	\$30
2A-H-X15b	LC, stainless steel / no thread miniature sensor	1 lb	\$30
2A-S-15lb	LC, stainless steel / no thread miniature sensor	1 lb	\$30
2A-K-15lb	LC, stainless steel / no thread miniature sensor	1 lb	\$30
2A-F-50lb	LC, stainless steel / no thread miniature sensor	1 lb	\$30
2A-H-50lb	LC, stainless steel / no thread miniature sensor	1 lb	\$30
2A-S-50lb	LC, stainless steel / no thread miniature sensor	1 lb	\$30
2A-K-50lb	LC, stainless steel / no thread miniature sensor	1 lb	\$30

Single Point

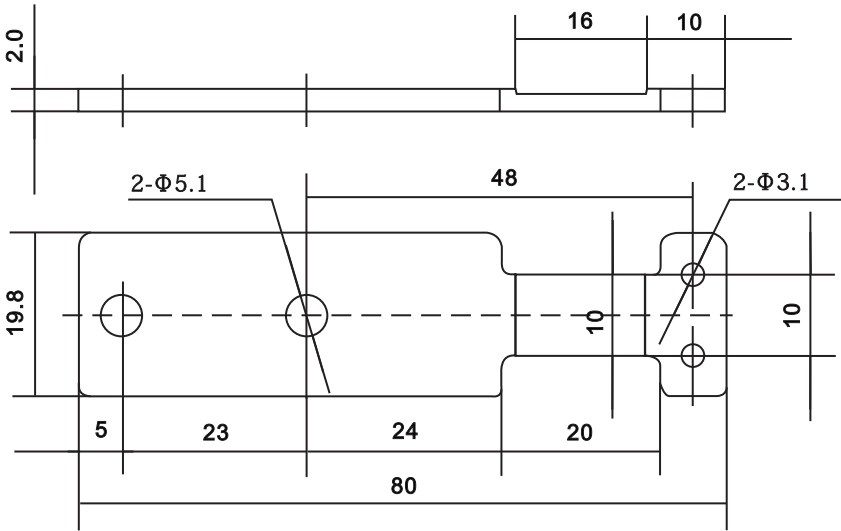


2C1



Specifications	
Capacity	10kg
Comprehensive Error	0.07
Output Sensitivity	0.6±0.1mV/V
Nonlinearity	±0.05%F.S.
Repeatability	±0.05%F.S.
Hysteresis	±0.05%F.S.
Creep	±0.07%F.S. 2min
Temperature Effect on Zero	±0.2%F.S./10°C
Temperature Effect on Output	±0.02%F.S./10°C
Zero Output	±1.0mV/V
Input Resistance	350±50Ω 1000±100Ω
Output Resistance	350±50Ω 1000±100Ω
Insulation Resistance	≥2000MΩ(50V)
Excitation Voltage	≤6V
Operation Temperature Range	-10-+40°C
Overload Capacity	150%F.S.
Recommended Use	Personal Scales

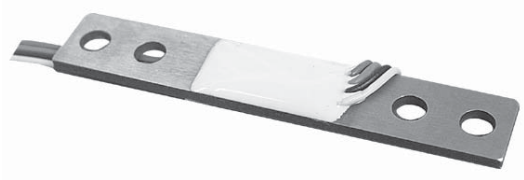
Outline Dimensions mm (inch)



Part Number	Description	Ship Weight	Price
2C1-10kg	LC, stainless steel / no thread miniature sensor	1 lb	\$30

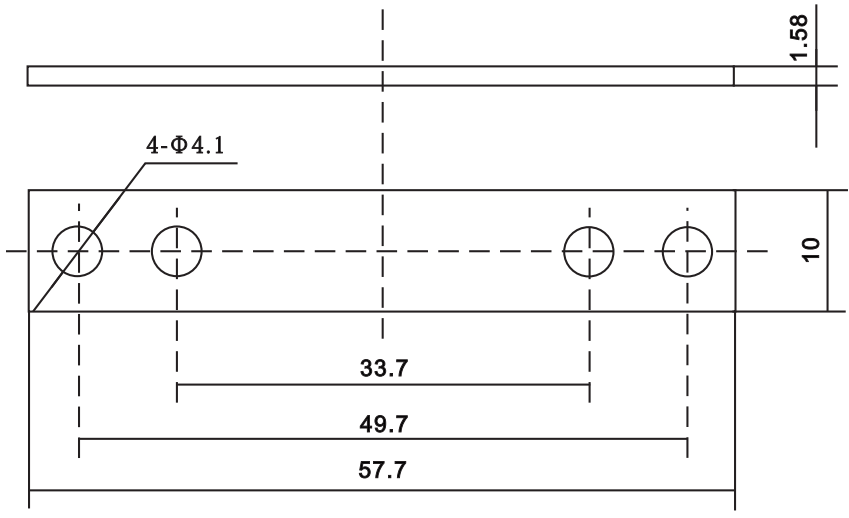


2F



Specifications	
Capacity	20kg
Comprehensive Error	0.1
Output Sensitivity	2.5±0.4mV/V
Nonlinearity	±0.05%F.S.
Repeatability	±0.05%F.S.
Hysteresis	±0.05%F.S.
Creep	±0.1%F.S. 3min
Temperature Effect on Zero	±0.3%F.S./10°C
Temperature Effect on Output	±0.3%F.S./10°C
Zero Output	±1.0mV/V
Input Resistance	350±50Ω
Output Resistance	350±50Ω
Insulation Resistance	≥2000MΩ(50V)
Excitation Voltage	≤10V
Operation Temperature Range	-10-+40°C
Overload Capacity	150%F.S.
Recommended Use	Personal Scales

Outline Dimensions mm (inch)



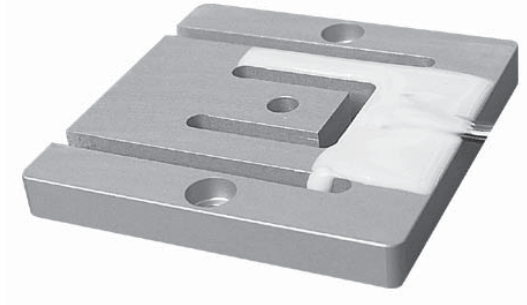
Part Number	Description	Ship Weight	Price
2F-20kg	LC, stainless steel / no thread miniature sensor	1 lb	\$35

Single Point

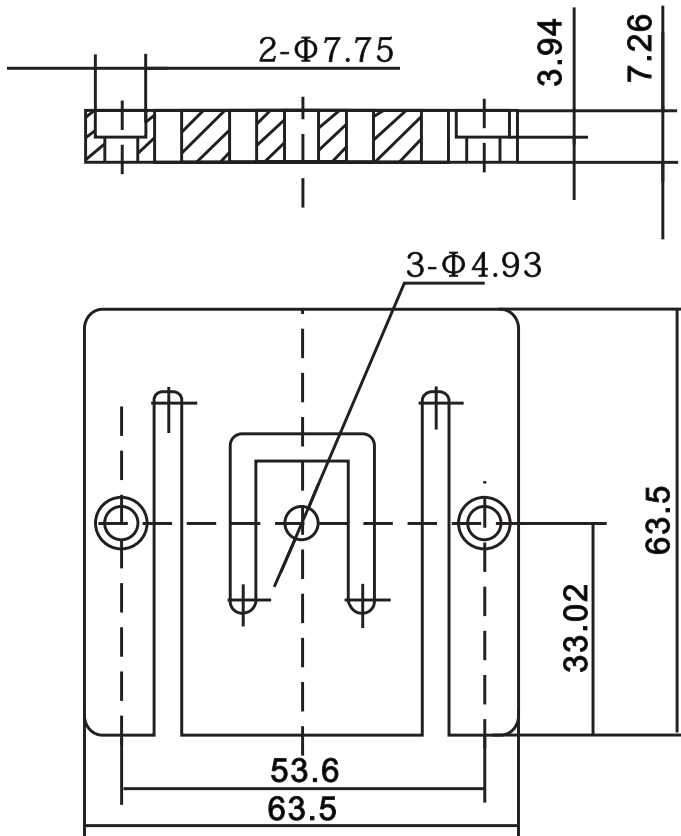


S6400

Specifications	
Capacity	90kg
Comprehensive Error	0.25
Output Sensitivity	±0.2mV/V
Nonlinearity	±0.05%F.S.
Repeatability	±0.05%F.S.
Hysteresis	±0.05%F.S.
Creep	±0.05%F.S. 5min
Temperature Effect on Zero	±0.05%F.S./10°C
Temperature Effect on Output	±0.03%F.S./10°C
Zero Output	±0.2mV/V
Input Resistance	1055±10Ω
Output Resistance	1000±10Ω
Insulation Resistance	≥2000MΩ(50V)
Excitation Voltage	≤10V
Operation Temperature Range	-10-+40°C
Overload Capacity	150%F.S.
Recommended Use	Bench, Compact and Floor Scales



Outline Dimensions mm (inch)

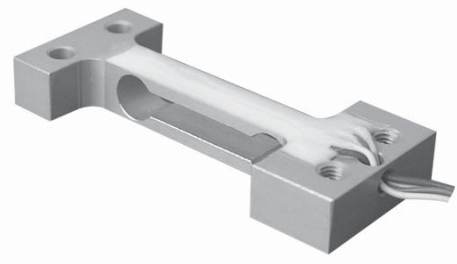


Part Number	Description	Ship Weight	Price
S6400-90Kg	LC, aluminum / no thread miniature sensor	1 lb	\$45

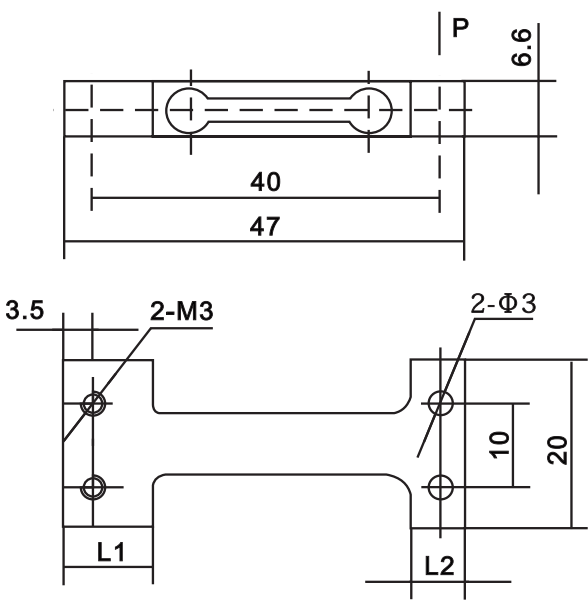


FAB-47-Xg

Specifications	
Capacity	100g, 120g 300g, 500g, 1000g
Comprehensive Error	0.05
Output Sensitivity	0.6±20% mV/V 0.9±2% mV/V
Nonlinearity	±0.05%F.S.
Repeatability	±0.05%F.S.
Hysteresis	±0.05%F.S.
Creep	±0.05%F.S. 3min
Temperature Effect on Zero	±2.0%F.S./10°C
Temperature Effect on Output	±0.05%F.S./10°C
Zero Output	±0.5 mV/V
Input Resistance	1055±10 Ω
Output Resistance	1000±10 Ω
Insulation Resistance	≥2000M Ω (50V)
Excitation Voltage	≤6V
Operation Temperature Range	-10-+40°C
Overload Capacity	150%F.S.
Recommended Use	Handable Scales



Outline Dimensions mm (inch)



100g, 120g L1=10.5 L2=6.5
 300g, 500g, 1000g L1=6.5 L2=6.5

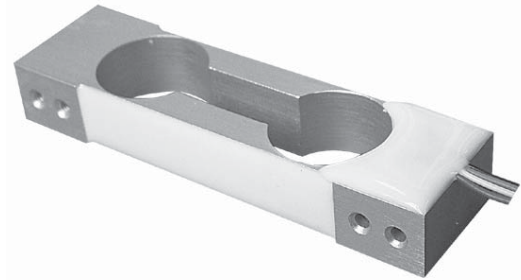
Part Number	Description	Ship Weight	Price
FAB-47-100G	LC, aluminum miniature sensor	1 lb	\$75
FAB-47-120G	LC, aluminum miniature sensor	1 lb	\$75
FAB-47-300G	LC, aluminum miniature sensor	1 lb	\$75
FAB-47-500G	LC, aluminum miniature sensor	1 lb	\$75
FAB-47-1000G	LC, aluminum miniature sensor	1 lb	\$75

Single Point

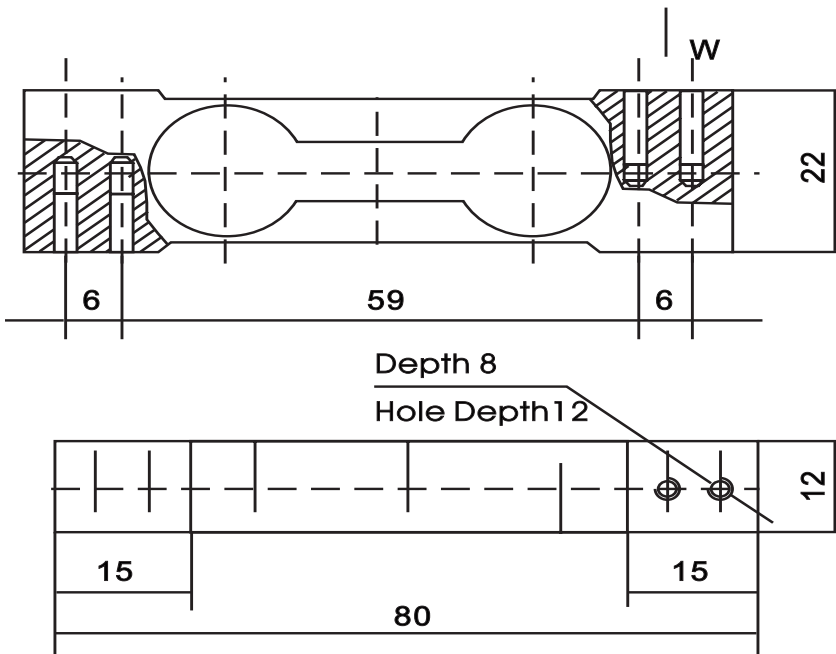


1A

Specifications	
Capacity	0.5 kg, 1kg, 2kg, 3kg
Comprehensive Error	0.02
Output Sensitivity	1.2±0.01mV/V
Nonlinearity	±0.02%F.S.
Repeatability	±0.02%F.S.
Hysteresis	±0.02%F.S.
Creep	±0.02%F.S. 5min
Temperature Effect on Zero	±0.02%F.S./10°C
Temperature Effect on Output	±0.02%F.S./10°C
Zero Output	±0.5mV/V
Input Resistance	395±10Ω
Output Resistance	350±5Ω
Insulation Resistance	≥2000MΩ(50V£)
Excitation Voltage	≤10V
Operation Temperature Range	-10-+40°C
Overload Capacity	150%F.S.
Recommended Use	Electronic Balances



Outline Dimensions mm (inch)

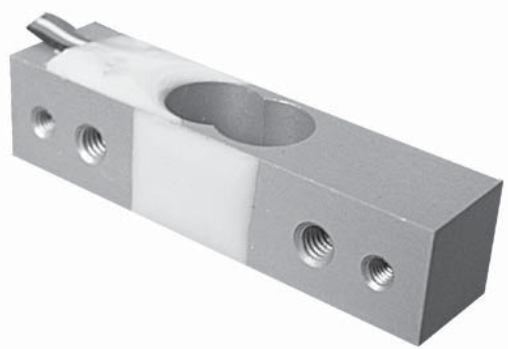


Part Number	Description	Ship Weight	Price
1A-0.5kg	LC, aluminum / metric miniature sensor	1 lb	\$75
1A-1kg	LC, aluminum / metric miniature sensor	1 lb	\$75
BM14K-C3-20t	LC, aluminum / metric miniature sensor	1 lb	\$75
BM14K-C3-30t	LC, aluminum / metric miniature sensor	1 lb	\$75

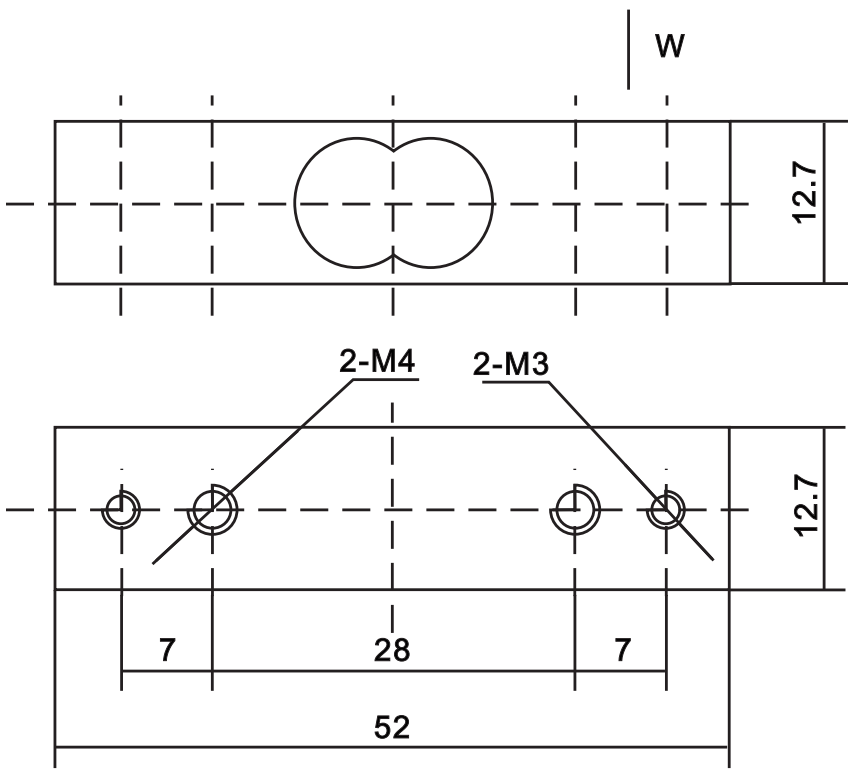


1B

Specifications	
Capacity	5kg, 6kg, 12kg, 15kg, 20kg
Comprehensive Error	0.03
Output Sensitivity	1.8±0.01mV/V
Nonlinearity	±0.02%F.S.
Repeatability	±0.02%F.S.
Hysteresis	±0.03%F.S.
Creep	±0.03%F.S. 5min
Temperature Effect on Zero	±0.03%F.S./10°C
Temperature Effect on Output	±0.03%F.S./10°C
Zero Output	±0.1mV/V
Input Resistance	1055±10Ω
Output Resistance	1000±10Ω
Insulation Resistance	≥3000MΩ(50V)
Excitation Voltage	≤10V
Operation Temperature Range	-10-+40°C
Overload Capacity	150%F.S.
Recommended Use	Portable Scales



Outline Dimensions mm (inch)



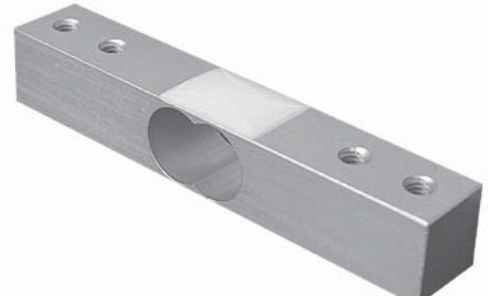
Part Number	Description	Ship Weight	Price
1B-5kg	LC, aluminum / metric miniature sensor	1 lb	\$25
1B-6kg	LC, aluminum / metric miniature sensor	1 lb	\$25
1B-12kg	LC, aluminum / metric miniature sensor	1 lb	\$25
1B-15kg	LC, aluminum / metric miniature sensor	1 lb	\$25
1B-20kg	LC, aluminum / metric miniature sensor	1 lb	\$25

Single Point

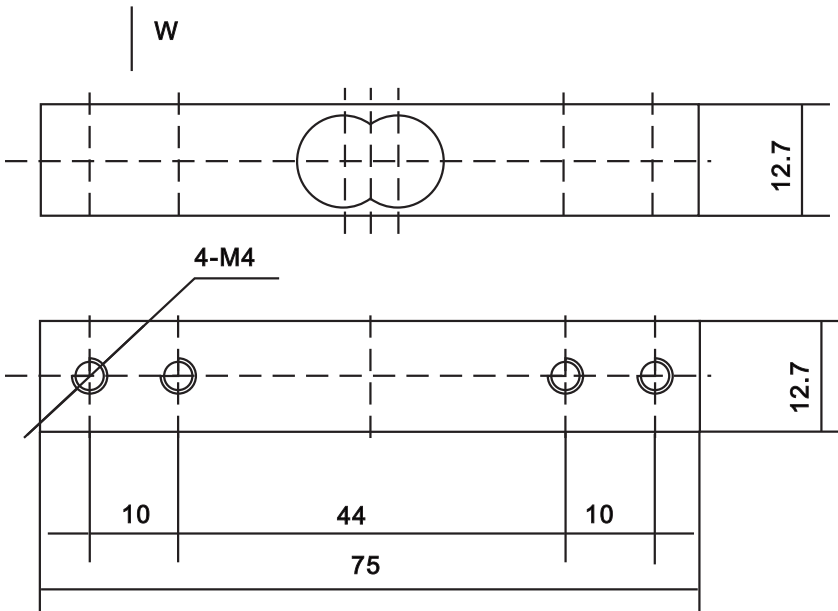


1F6-S

Specifications	
Capacity	2kg, 3kg, 5kg, 6kg
Comprehensive Error	0.05
Output Sensitivity	1.0±0.01mV/V
Nonlinearity	±0.05%F.S.
Repeatability	±0.05%F.S.
Hysteresis	±0.05%F.S.
Creep	±0.05%F.S. 5min
Temperature Effect on Zero	±0.03%F.S./10°C
Temperature Effect on Output	±0.01%F.S./10°C
Zero Output	±0.2mV/V
Input Resistance	1050±10Ω
Output Resistance	1000±5Ω
Insulation Resistance	≥2000MΩ(50V)
Excitation Voltage	≤10V
Operation Temperature Range	-10-+40°C
Overload Capacity	150%F.S.
Recommended Use	Kitchen Scales



Outline Dimensions mm (inch)

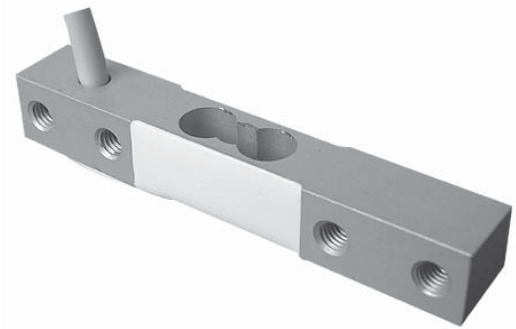


Part Number	Description	Ship Weight	Price
1F6-S-2kg	LC, aluminum / metric miniature sensor	1 lb	\$25
1F6-S-3kg	LC, aluminum / metric miniature sensor	1 lb	\$25
1F6-S-5kg	LC, aluminum / metric miniature sensor	1 lb	\$25
1F6-S-6kg	LC, aluminum / metric miniature sensor	1 lb	\$25

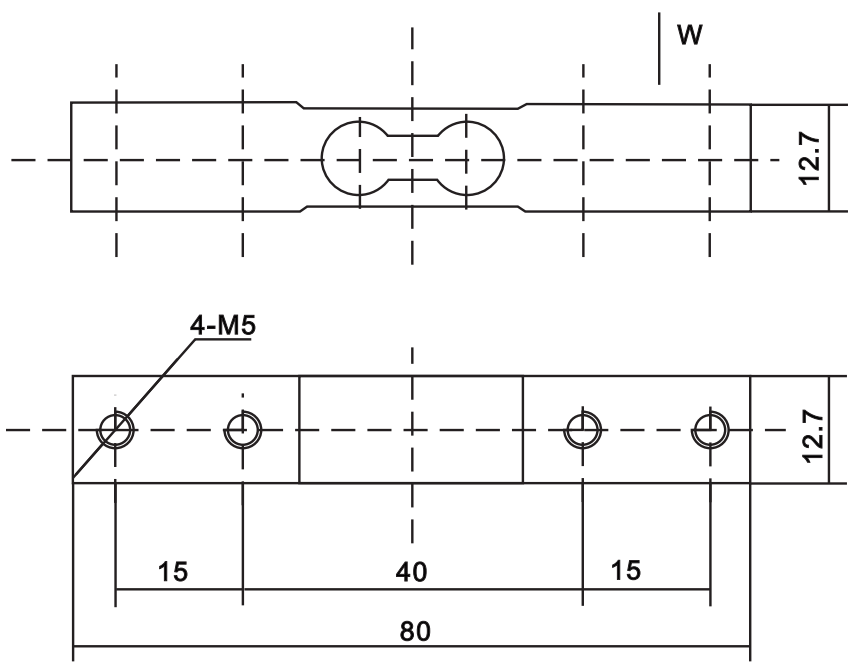


1HM

Specifications		
Capacity	0.5kg, 1kg	5kg, 8kg, 20kg
Comprehensive Error	0.02	
Output Sensitivity	1.0±0.15mV/V	1.5±0.1mV/V
Nonlinearity	±0.02%F.S.	
Repeatability	±0.02%F.S.	
Hysteresis	±0.02%F.S.	
Creep	±0.02%F.S. 5min	
Temperature Effect on Zero	±0.02%F.S./10°	
Temperature Effect on Output	±0.03%F.S./10°	
Zero Output	±0.1mV/V	
Input Resistance	1055±10Ω	
Output Resistance	1000±10Ω	
Insulation Resistance	≥2000MΩ(50V)	
Excitation Voltage	≤10V	
Operation Temperature Range	-10-+40°C	
Overload Capacity	150%F.S.	
Recommended Use	Kitchen and Postage Scales	



Outline Dimensions mm (inch)

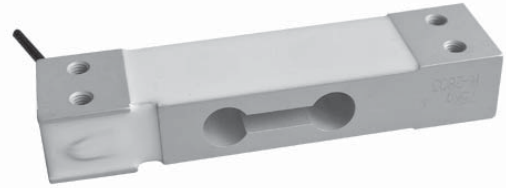


Part Number	Description	Ship Weight	Price
1HM-0.5kg	LC, aluminum / metric miniature sensor	1 lb	\$35
1HM-1kg	LC, aluminum / metric miniature sensor	1 lb	\$35
1HM-5kg	LC, aluminum / metric miniature sensor	1 lb	\$35
1HM-8kg	LC, aluminum / metric miniature sensor	1 lb	\$35
1HM-020kg	LC, aluminum / metric miniature sensor	1 lb	\$35

Single Point

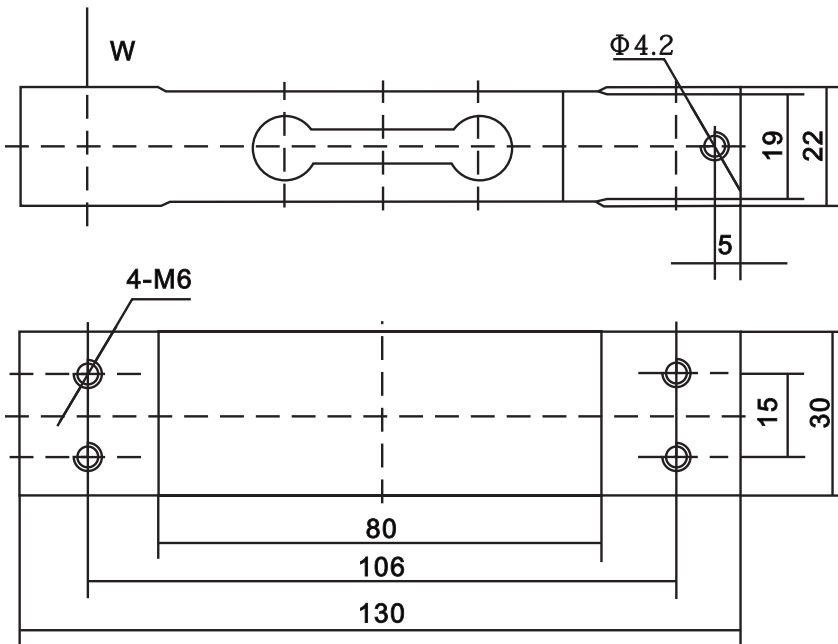


1P Series



Specifications	
Capacity	40kg, 75kg
Comprehensive Error	0.03
Output Sensitivity	2.0mV/V
Nonlinearity	±0.02%F.S.
Repeatability	±0.02%F.S.
Hysteresis	±0.03%F.S.
Creep	±0.03%F.S. 30min
Temperature Effect on Zero	±0.1%F.S./10°C
Temperature Effect on Output	±0.03%F.S./10°C
Zero Output	2%F.S.
Input Resistance	1070±10Ω
Output Resistance	1000±10Ω
Insulation Resistance	≥3000MΩ(50V)
Excitation Voltage	≤12V
Operation Temperature Range	-10-+40°C
Overload Capacity	150%F.S.
Recommended Use	Platform and Price Computing Scales

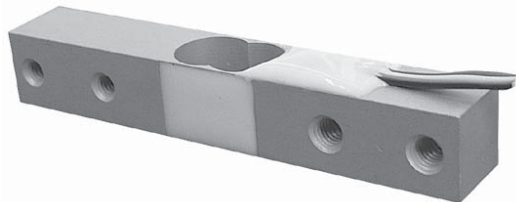
Outline Dimensions mm (inch)



Part Number	Description	Ship Weight	Price
IP-350-40kg	LC, aluminum / metric miniature sensor	1 lb	\$45
IP-1000-40kg	LC, aluminum / metric miniature sensor	1 lb	\$45
IP-350-75kg	LC, aluminum / metric miniature sensor	1 lb	\$45
IP-1000-75kg	LC, aluminum / metric miniature sensor	1 lb	\$45

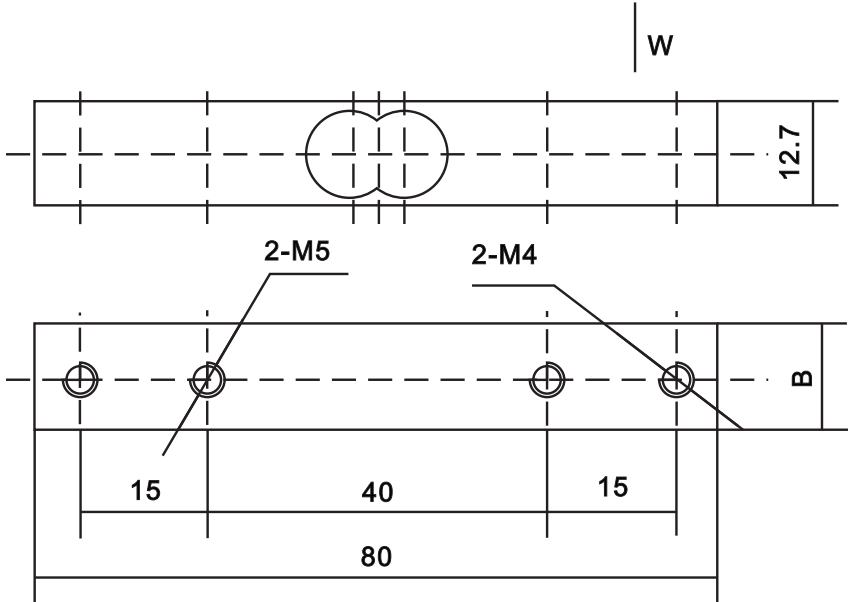


1R1-K



Specifications	
Capacity	2kg, 3kg, 5kg, 6kg
Comprehensive Error	0.03
Output Sensitivity	1.2mV/V
Sensitivity Tolerance	±0.15mV/V
Nonlinearity	±0.03%F.S.
Repeatability	±0.03%F.S.
Hysteresis	±0.03%F.S.
Creep	±0.03%F.S. 5min
Temperature Effect on Zero	±0.03%F.S./10°C
Temperature Effect on Output	±0.03%F.S./10°C
Zero Output	±0.1mV/V
Input Resistance	1055±10Ω
Output Resistance	1000±10Ω
Insulation Resistance	≥2000MΩ(50V)
Excitation Voltage	≤10V
Operation Temperature Range	-10-+40°C
Overload Capacity	150%F.S.
Recommended Use	Kitchen Scales

Outline Dimensions mm (inch)



W≤2kg B=10 W>2kg B=12.7

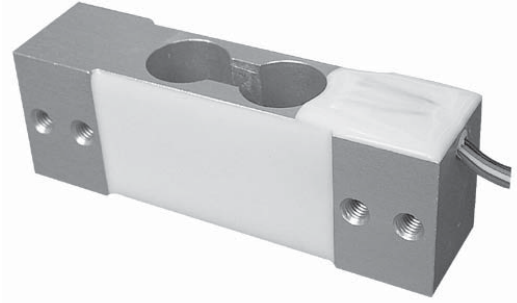
Part Number	Description	Ship Weight	Price
1R1-K-2kg	LC, aluminum / metric miniature sensor	1 lb	\$30
1R1-K-3kg	LC, aluminum / metric miniature sensor	1 lb	\$30
1R1-K-5kg	LC, aluminum / metric miniature sensor	1 lb	\$30
1R1-K-6kg	LC, aluminum / metric miniature sensor	1 lb	\$30

Single Point

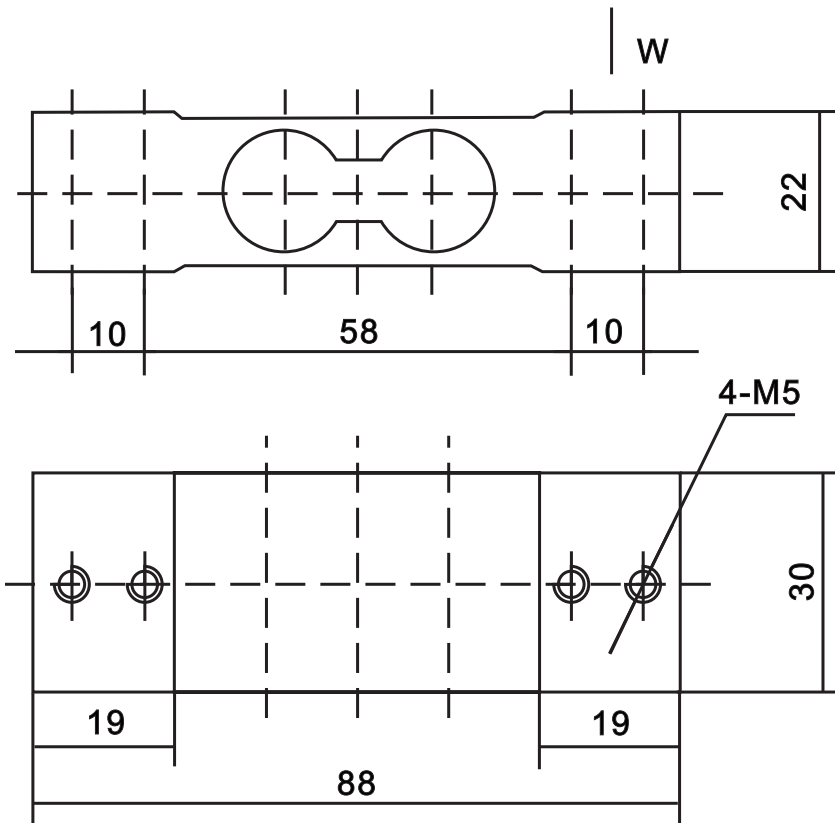


1V3-350

Specifications		
Capacity	5kg	10kg, 25kg
Comprehensive Error	0.03	
Output Sensitivity	1.6±0.1mV/V	2.0±0.2mV/V
Nonlinearity	±0.03%F.S.	
Repeatability	±0.03%F.S.	
Hysteresis	±0.03%F.S.	
Creep	±0.03%F.S. 5min	
Temperature Effect on Zero	±0.5%F.S./10°C	
Temperature Effect on Output	±0.03%F.S./10°C	
Zero Output	±0.03mV/V	
Input Resistance	370±20Ω	
Output Resistance	350±5Ω	
Insulation Resistance	≥2000MΩ(50V)	
Excitation Voltage	≤10V	
Operation Temperature Range	-10-+40°C	
Overload Capacity	150%F.S.	
Recommended Use	Platform Scales	



Outline Dimensions mm (inch)

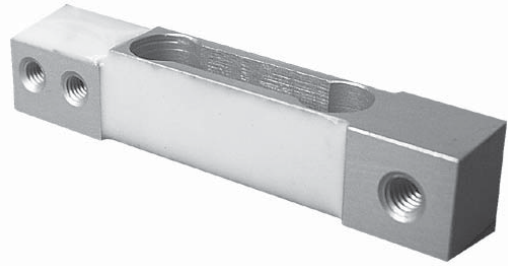


Part Number	Description	Ship Weight	Price
1V3-350-5kg	LC, aluminum / metric miniature sensor	1 lb	\$45
1V3-350-10kg	LC, aluminum / metric miniature sensor	1 lb	\$45
1V3-350-25kg	LC, aluminum / metric miniature sensor	1 lb	\$45

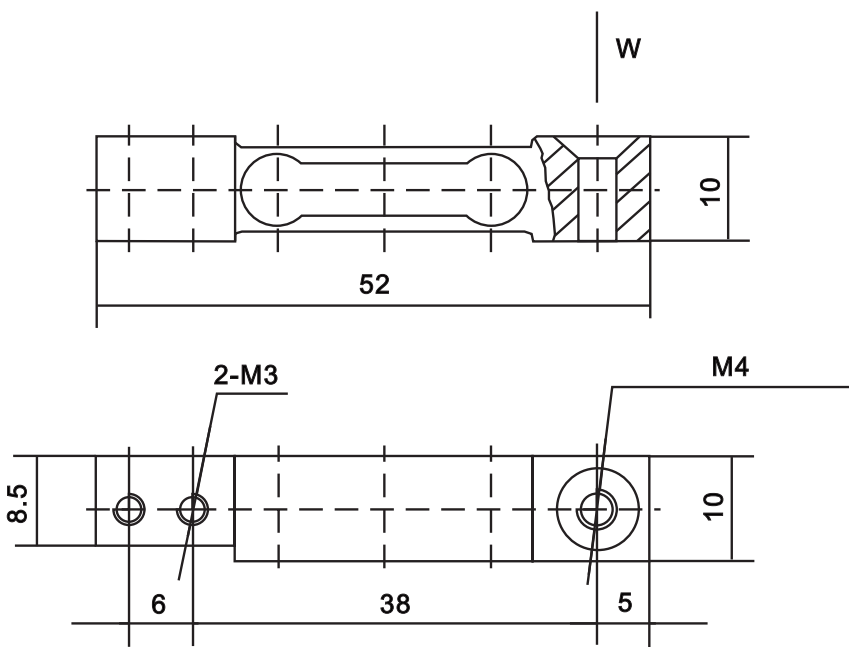


1X1

Specifications	
Capacity	300g, 500g, 600g
Comprehensive Error	0.03
Output Sensitivity	1.0±0.1mV/V
Nonlinearity	±0.02%F.S.
Repeatability	±0.02%F.S.
Hysteresis	±0.03%F.S.
Creep	±0.03%F.S. 3min
Temperature Effect on Zero	±1.0%F.S./10°C
Temperature Effect on Output	±0.05%F.S./10°C
Zero Output	±0.1mV/V
Input Resistance	1055±10Ω
Output Resistance	1000±10Ω
Insulation Resistance	≥2000MΩ(50V)
Excitation Voltage	≤10V
Operation Temperature Range	-10-+40°C
Overload Capacity	150%F.S.
Recommended Use	Handable Scales



Outline Dimensions mm (inch)



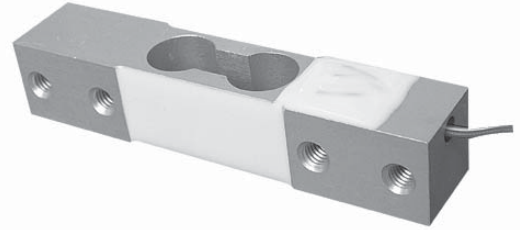
Part Number	Description	Ship Weight	Price
1X1-300g	LC, aluminum / metric miniature sensor	1 lb	\$45
1X1-500g	LC, aluminum / metric miniature sensor	1 lb	\$45
1X1-600g	LC, aluminum / metric miniature sensor	1 lb	\$45

Single Point

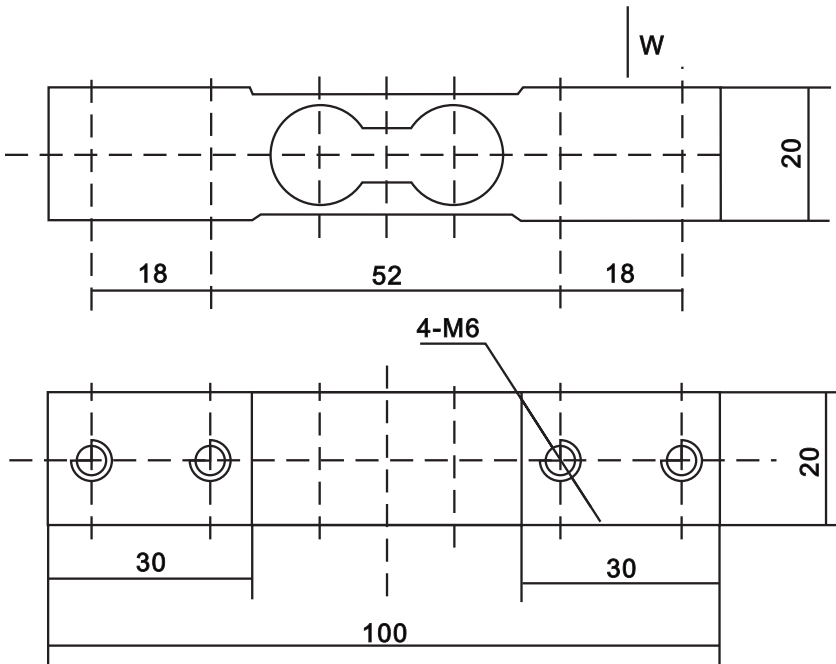


1Z

Specifications	
Capacity	5, 30kg
Comprehensive Error	0.03
Output Sensitivity	2.0±0.1mV/V
Nonlinearity	±0.03%F.S.
Repeatability	±0.03%F.S.
Hysteresis	±0.03%F.S.
Creep	±0.03%F.S. 10min
Temperature Effect on Zero	±0.1%F.S./10°C
Temperature Effect on Output	±0.03%F.S./10°C
Zero Output	±0.04mV/V.
Input Resistance	1055±10Ω
Output Resistance	1000±10Ω
Insulation Resistance	≥3000MΩ(50V)
Excitation Voltage	≤10V
Operation Temperature Range	-10-+40°C
Overload Capacity	150%F.S.
Recommended Use	Platform and Price Computing Scales



Outline Dimensions mm (inch)



Part Number	Description	Ship Weight	Price
1Z-5kg	LC, aluminum / metric miniature sensor	1 lb	\$40
1Z-30kg	LC, aluminum / metric miniature sensor	1 lb	\$40

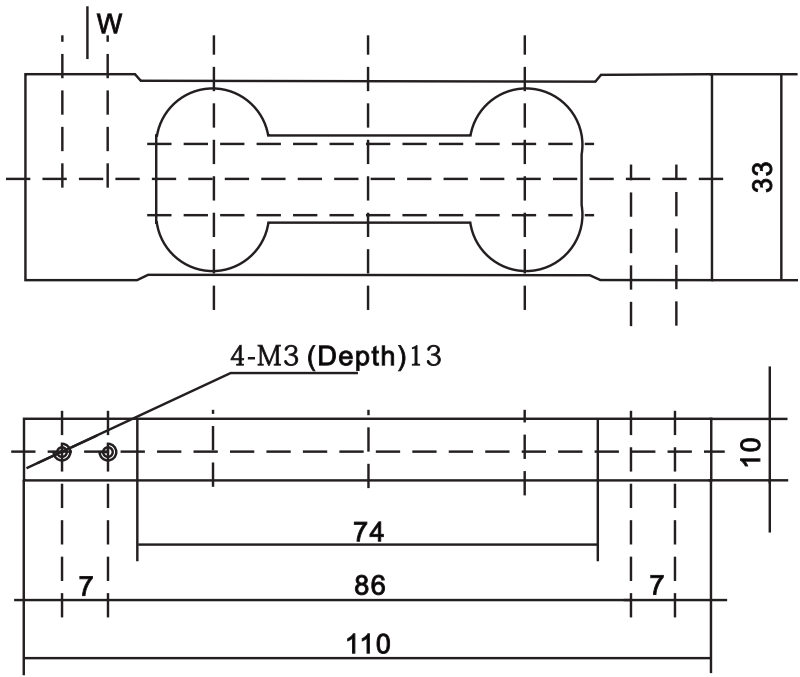


004-G



Specifications	
Capacity	0.3kg, 0.6kg, 0.75kg, 1.5kg, 3kg
Comprehensive Error	0.02
Output Sensitivity	0.9±0.1mV/V
Nonlinearity	±0.02%F.S.
Repeatability	±0.02%F.S.
Hysteresis	±0.02%F.S.
Creep	±0.02%F.S. 30min
Temperature Effect on Zero	±0.1%F.S./10°C
Temperature Effect on Output	±0.02%F.S./10°C
Zero Output	±0.02mV/V
Input Resistance	405±10Ω
Output Resistance	350±3Ω
Insulation Resistance	≥5000MΩ(50V)
Excitation Voltage	≤10V
Operation Temperature Range	-10+40°C
Overload Capacity	150%F.S.
Recommended Use	Electronic Balances

Outline Dimensions mm (inch)



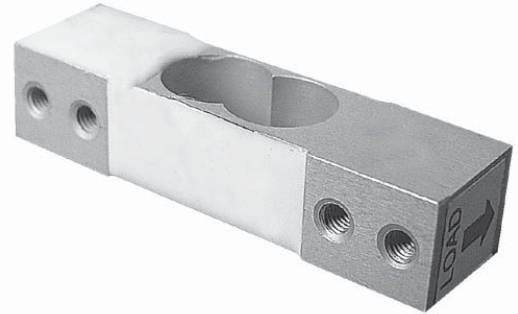
Part Number	Description	Ship Weight	Price
004-G-0.3kg	LC, aluminum / metric miniature sensor	1 lb	\$45
004-G6-0.3kg	LC, aluminum / metric miniature sensor	1 lb	\$45
004-G-0.6kg	LC, aluminum / metric miniature sensor	1 lb	\$45
004-G6-0.6kg	LC, aluminum / metric miniature sensor	1 lb	\$45
004-G-0.75kg	LC, aluminum / metric miniature sensor	1 lb	\$45
004-G6-0.75kg	LC, aluminum / metric miniature sensor	1 lb	\$45
004-G-1.5kg	LC, aluminum / metric miniature sensor	1 lb	\$45
004-G6-1.5kg	LC, aluminum / metric miniature sensor	1 lb	\$45
004-G-3kg	LC, aluminum / metric miniature sensor	1 lb	\$45
004-G6-3kg	LC, aluminum / metric miniature sensor	1 lb	\$45

Single Point

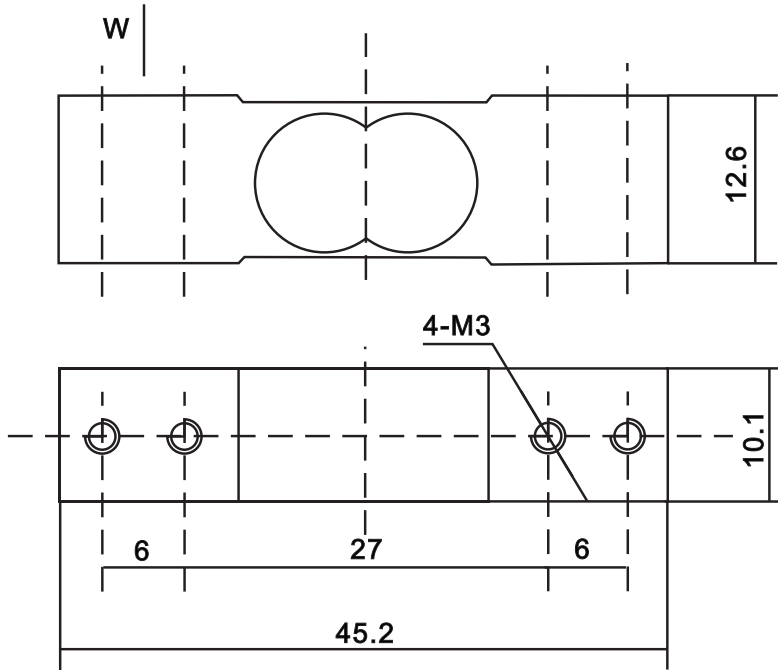


CF-1

Specifications	
Capacity	1kg
Comprehensive Error	0.1
Output Sensitivity	0.5±0.05mV/V
Nonlinearity	±0.05%F.S.
Repeatability	±0.05%F.S.
Hysteresis	±0.05%F.S.
Creep	±0.05%F.S. 5min
Temperature Effect on Zero	±0.2F.S./10°C
Temperature Effect on Output	±0.1%F.S./10°C
Zero Output	±0.5mV/V
Input Resistance	350±20Ω
Output Resistance	350±20Ω
Insulation Resistance	≥2000MΩ(50V)
Excitation Voltage	≤6V
Operation Temperature Range	-10-+40°C
Overload Capacity	150%F.S.
Recommended Use	Kitchen Scales



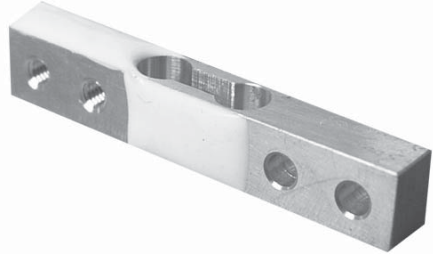
Outline Dimensions mm (inch)



Part Number	Description	Ship Weight	Price
CF-1KG	LC, aluminum / metric miniature sensor	1 lb	\$35

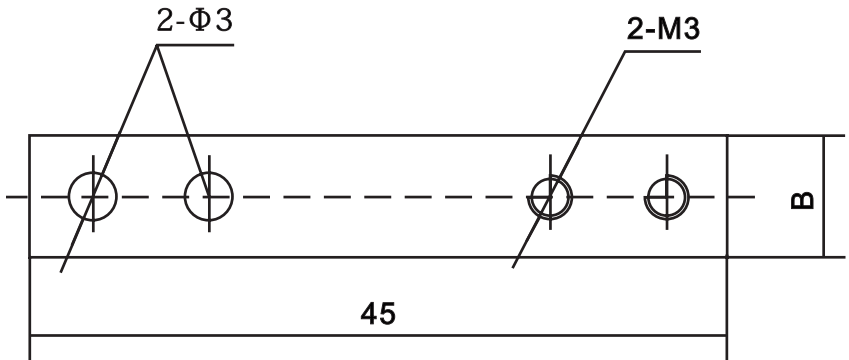
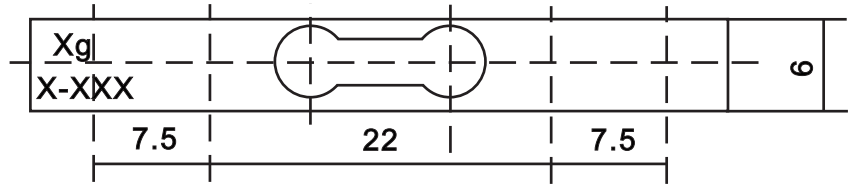


Q45X10(8)X6-7.5G



Specifications		
Model	Q45x8x6-7.5G	Q45x10x6-7.5G
Capacity	200g, 300g	500g, 750g
Comprehensive Error	0.05	
Output Sensitivity	0.6±20% mV/V	
Nonlinearity	±0.05%F.S.	
Repeatability	±0.05%F.S.	
Hysteresis	±0.05%F.S.	
Creep	±0.05%F.S. 3min	
Temperature Effect on Zero	±2.0%F.S./10°C	
Temperature Effect on Output	±0.05%F.S./10°C	
Zero Output	±0.1 mV/V	
Input Resistance	1055±10 Ω	
Output Resistance	1000±10 Ω	
Insulation Resistance	≥2000 $M\Omega$ (50V)	
Excitation Voltage	≤6V	
Operation Temperature Range	-10-+40°C	
Overload Capacity	150%F.S.	
Recommended Use	Handable Balances	

Outline Dimensions mm (inch)



Part Number	Description	Ship Weight	Price
Q45106-200g	LC, aluminum / metric miniature sensor	1 lb	\$40
Q45x10x6-300g	LC, aluminum / metric miniature sensor	1 lb	\$40
Q45x10x6-500g	LC, aluminum / metric miniature sensor	1 lb	\$40
Q45x10x6-750g	LC, aluminum / metric miniature sensor	1 lb	\$40

Part Number	Q45X8X6-7.5G	Q45X10X6-7.5G
B	8	10

Single Point

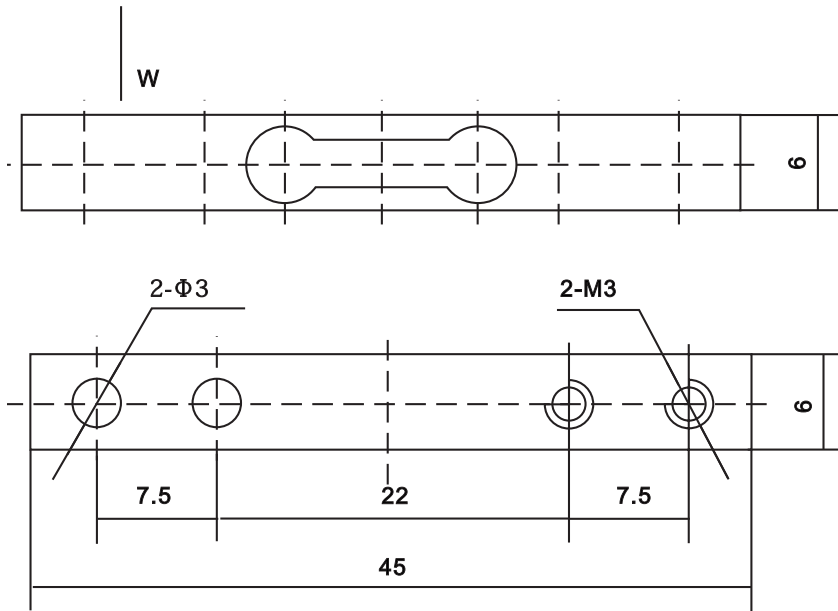


Q45X6X6-7.5G

Specifications	
Capacity	150g
Comprehensive Error	0.05
Output Sensitivity	0.7±20% mV/V
Nonlinearity	±0.05%F.S.
Repeatability	±0.05%F.S.
Hysteresis	±0.05%F.S.
Creep	±0.05%F.S. 3min
Temperature Effect on Zero	±2.0%F.S./10°C
Temperature Effect on Output	±0.05%F.S./10°C
Zero Output	±0.1 mV/V
Input Resistance	1055±10 Ω
Output Resistance	1000±10 Ω
Insulation Resistance	≥2000 $M\Omega$ (50V)
Excitation Voltage	≤6V
Operation Temperature Range	-10-+40°C
Overload Capacity	150%F.S.
Recommended Use	Handable Scales



Outline Dimensions mm (inch)



Part Number	Description	Ship Weight	Price
Q45x6x6-150g	LC, aluminum / metric miniature sensor	1 lb	\$40

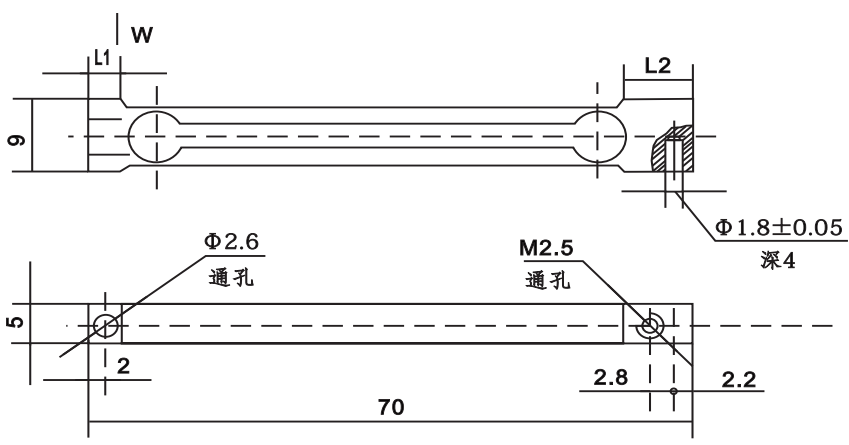


Q70X5X9-H



Specifications	
Capacity	20g,30g,50g, 100g, 200g
Comprehensive Error	0.05
Output Sensitivity	0.5±0.15mV/V
Nonlinearity	±0.05%F.S.
Repeatability	±0.05%F.S.
Hysteresis	±0.05%F.S.
Creep	±0.05%F.S. 3min
Temperature Effect on Zero	±2.0%F.S./10°C
Temperature Effect on Output	±0.05%F.S./10°C
Zero Output	±0.5mV/V
Input Resistance	1055±10Ω
Output Resistance	1000±10Ω
Insulation Resistance	≥2000MΩ(50V)
Excitation Voltage	≤6V
Operation Temperature Range	-10+40°C
Overload Capacity	150%F.S.
Recommended Use	Handable Balances

Outline Dimensions mm (inch)



20g, 30g, 50g, 100g L1=4 L2=8
 200g L1=8 L2=10

Part Number	Description	Ship Weight	Price
Q70X5x9-H-20g	LC, aluminum / metric miniature sensor	1 lb	\$50
Q70X5x9-H-30g	LC, aluminum / metric miniature sensor	1 lb	\$50
Q70X5x9-H-50g	LC, aluminum / metric miniature sensor	1 lb	\$50
Q70X5x9-H-100g	LC, aluminum / metric miniature sensor	1 lb	\$50
Q70X5x9-H-200g	LC, aluminum / metric miniature sensor	1 lb	\$50

Single Point

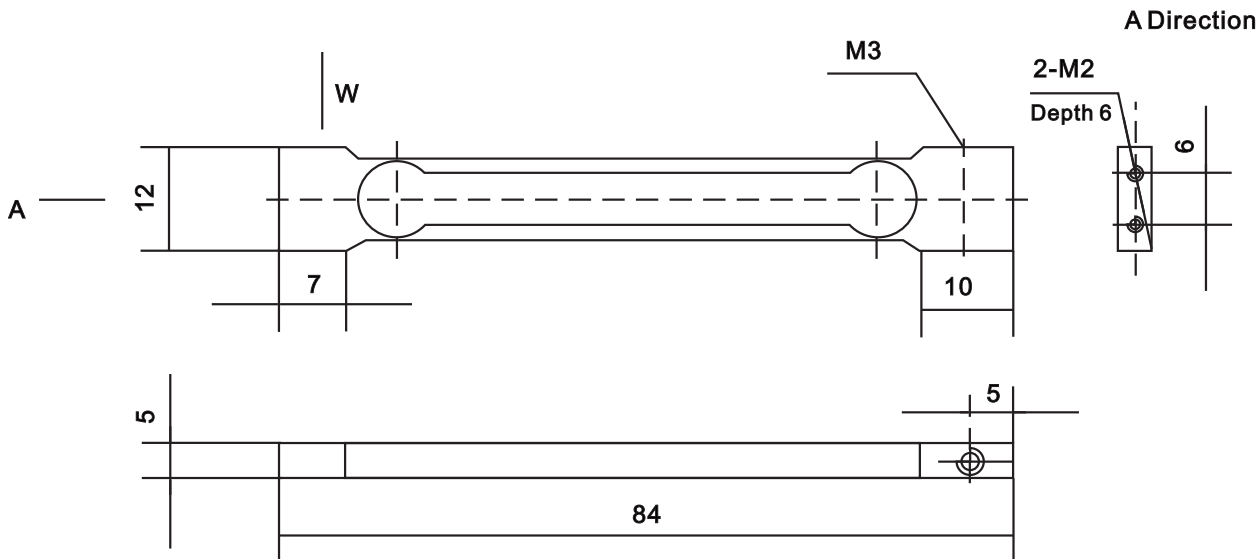


Q84X5X12-05

Specifications	
Capacity	20g, 30g, 50g, 100g
Comprehensive Error	0.05
Output Sensitivity	0.5±0.15mV/V
Nonlinearity	±0.05%F.S.
Repeatability	±0.05%F.S.
Hysteresis	±0.05%F.S.
Creep	±0.05%F.S. 3min
Temperature Effect on Zero	±2.0%F.S./10°C
Temperature Effect on Output	±0.05%F.S./10°C
Zero Output	±0.5mV/V
Input Resistance	1055±10Ω
Output Resistance	1000±10Ω
Insulation Resistance	≥2000MΩ(50V)
Excitation Voltage	≤6V
Operation Temperature Range	-10-+40°C
Overload Capacity	150%F.S.
Recommended Use	Handable Scales



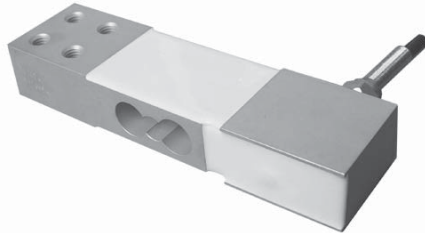
Outline Dimensions mm (inch)



Part Number	Description	Ship Weight	Price
Q84x5x12-05-20g	LC, aluminum / metric miniature sensor	1 lb	\$70
Q84x5x12-05-30g	LC, aluminum / metric miniature sensor	1 lb	\$70
Q84x5x12-05-50g	LC, aluminum / metric miniature sensor	1 lb	\$70
Q84x5x12-100g	LC, aluminum / metric miniature sensor	1 lb	\$70

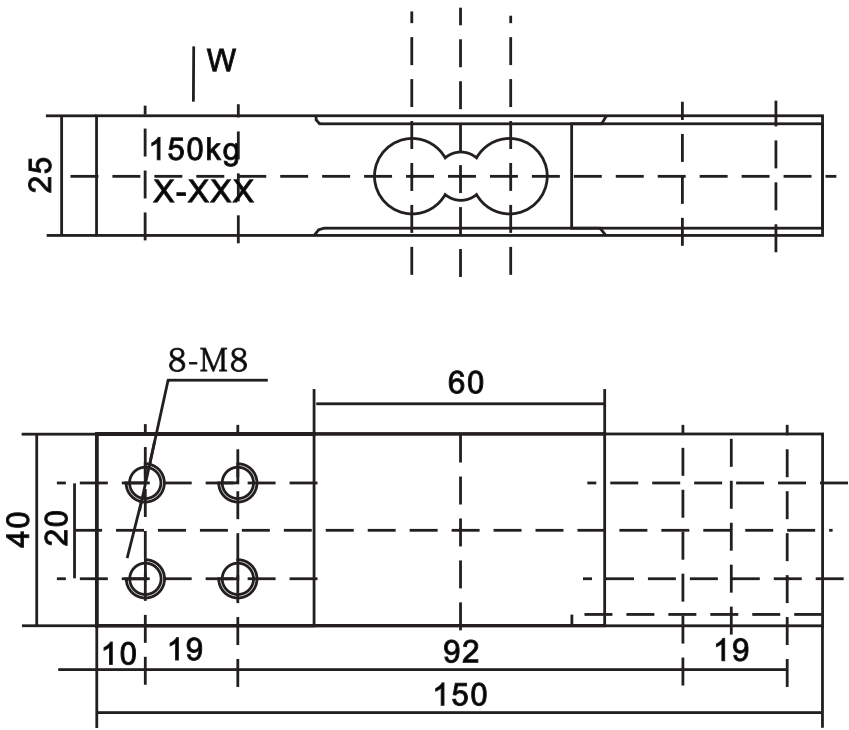


DB-1



Specifications	
Capacity	150kg
Comprehensive Error	0.02
Output Sensitivity	2.0±0.2mV/V
Nonlinearity	±0.02%F.S.
Repeatability	±0.02%F.S.
Hysteresis	±0.03%F.S.
Creep	±0.02%F.S. 30min
Temperature Effect on Zero	±0.1%F.S./10°C
Temperature Effect on Output	±0.03%F.S./10°C
Zero Output	±2%F.S.
Input Resistance	395±10Ω
Output Resistance	350±10Ω
Insulation Resistance	≥2000MΩ(50V)
Excitation Voltage	≤10V
Operation Temperature Range	-10-+40°C
Overload Capacity	150%F.S.
Recommended Use	Platform and Price Computing Scales

Outline Dimensions mm (inch)



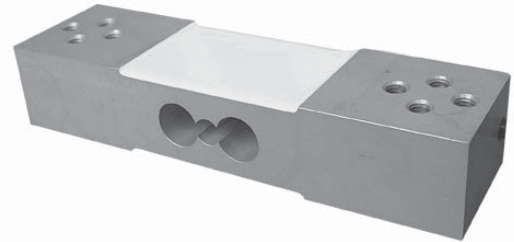
Part Number	Description	Ship Weight	Price
DB-1-150KG	LC, aluminum miniature sensor	1 lb	\$85

Single Point

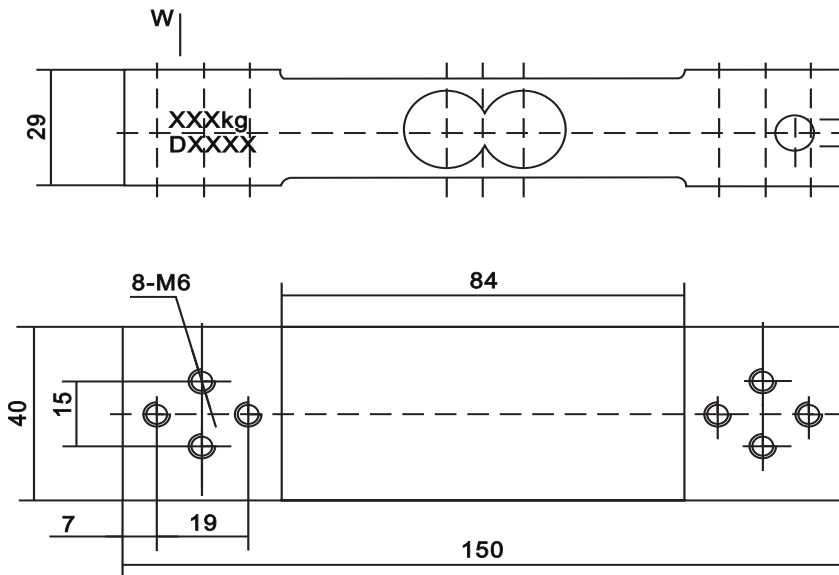


DB-2

Specifications	
Capacity	50kg, 100kg, 150kg, 200kg, 350kg
Comprehensive Error	0.02
Output Sensitivity	2.0±0.2mV/V
Nonlinearity	±0.02%F.S.
Repeatability	±0.02%F.S.
Hysteresis	±0.03%F.S.
Creep	±0.02%F.S. 30min
Temperature Effect on Zero	±0.1%F.S./10°C
Temperature Effect on Output	±0.03%F.S./10°C
Zero Output	±2%F.S.
Input Resistance	395±10Ω
Output Resistance	350±10Ω
Insulation Resistance	≥2000MΩ(50V)
Excitation Voltage	≤10V
Operation Temperature Range	-10-+40°C
Overload Capacity	150%F.S.
Recommended Use	Platform and Price Computing Scales



Outline Dimensions mm (inch)



Part Number	Description	Ship Weight	Price
DB-2-50Kg	LC, aluminum miniature sensor	1 lb	\$85
DB-2-100Kg	LC, aluminum miniature sensor	1 lb	\$85
DB-2-150Kg	LC, aluminum miniature sensor	1 lb	\$85
DB-2-200Kg	LC, aluminum miniature sensor	1 lb	\$85
DB-2-350Kg	LC, aluminum miniature sensor	1 lb	\$85



L6N

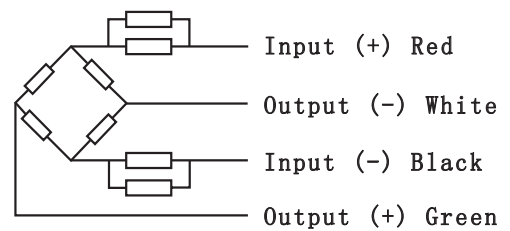
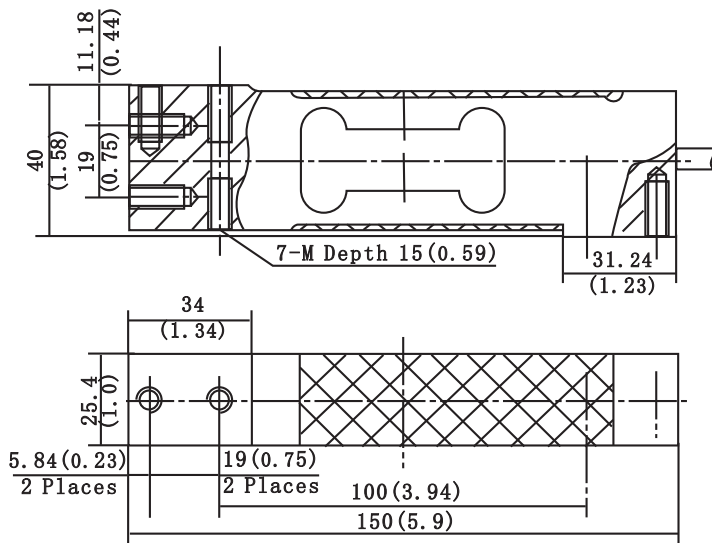
- L6N load cells are available in the capacities 3kg~100kg
- Aluminum construction with parallel beam
- Silicon adhesive sealed, surface anodized and anti-corrosion
- Integral structure and easy installation
- Suitable for electronic balance and other electronic weighing devices

Features

- Capacities: 3kg~100kg
- Max. platform size: 400mm x 400mm
- PTB Approval No.: D09-06.11
- High accuracy
- OIML Cert. No.: R60/2000-CN1-06.04
- NTEP Cert. No.: CC11-055



Specifications		
Capacity	kg	3/5/8/10/15/20/30/50/75/100
Accuracy		C3
Approvals		OIML R60 C3
Maximum Number of Verification Intervals	Nmax	3000
Minimum Number of Verification Intervals	Vmin	Emax/7000
Combined Error	(%FS)	±0.020
Creep	(%FS/30min)	±0.0167
Temperature Effect on Sensitivity	(%FS/10°C)	±0.0175
Temperature Effect on Zero	(%FS/10°C)	±0.020
Output Sensitivity	(mV/V)	2.0±0.2
Input Resistance	(Ω)	406±6
Output Resistance	(Ω)	350±3
Insulation Resistance	(MΩ)	≥5000 (50VDC)
Zero Balance	(%FS)	2
Temperature, Compensated	(°C)	-10~+40
Temperature, Operating	(°C)	-35~+65
Excitation, Recommended	(V)	5~12 (DC)
Excitation, Max	(V)	18 (DC)
Safe Overload	(%FS)	120
Ultimate Overload	(%FS)	150
Corner Correction		0.02% load value/100mm



Wiring:

Shielded 4 conductor cable and cable jacket is PVC
 Cable Length: 3.0±0.05m
 Cable Diameter: 5.0±0.2mm



Part Number	Capacity	Ship Weight	Price
L6N-C3-3KG	3KG aluminum single point metric	2 lb	\$100
L6N-C3-5KG	5KG aluminum single point metric	2 lb	\$100
L6N-C3-8KG	8KG aluminum single point metric	2 lb	\$100
L6N-C3-10KG	10KG aluminum single point metric	2 lb	\$100
L6N-C3-15KG	15KG aluminum single point metric	2 lb	\$100
L6N-C3-20KG	20KG aluminum single point metric	2 lb	\$100
L6N-C3-30KG	30KG aluminum single point metric	2 lb	\$100
L6N-C3-50KG	50KG aluminum single point metric	2 lb	\$100
L6N-C3-75KG	75KG aluminum single point metric	2 lb	\$100
L6N-C3-100KG	100KG aluminum single point metric	2 lb	\$100
L6N-C3-3KG-Y	3KG aluminum single point imperial	2 lb	\$100
L6N-C3-5KG-Y	5KG aluminum single point imperial	2 lb	\$100
L6N-C3-8KG-Y	8KG aluminum single point imperial	2 lb	\$100
L6N-C3-10KG-Y	10KG aluminum single point imperial	2 lb	\$100
L6N-C3-15KG-Y	15KG aluminum single point imperial	2 lb	\$100
L6N-C3-20KG-Y	20KG aluminum single point imperial	2 lb	\$100
L6N-C3-30KG-Y	30KG aluminum single point imperial	2 lb	\$100
L6N-C3-50KG-Y	50KG aluminum single point imperial	2 lb	\$100
L6N-C3-75KG-Y	75KG aluminum single point imperial	2 lb	\$100
L6N-C3-100KG-Y	100KG aluminum single point imperial	2 lb	\$100
L6N-C3-10	10LB aluminum single point metric	2 lb	\$100
L6N-C3-15	15LB aluminum single point metric	2 lb	\$100
L6N-C3-20	20LB aluminum single point metric	2 lb	\$100
L6N-C3-30	30LB aluminum single point metric	2 lb	\$100
L6N-C3-50	50LB aluminum single point metric	2 lb	\$100
L6N-C3-100	100LB aluminum single point metric	2 lb	\$100
L6N-C3-200	200LB aluminum single point metric	2 lb	\$100
L6N-C3-10-Y	10LB aluminum single point imperial	2 lb	\$100
L6N-C3-15-Y	15LB aluminum single point imperial	2 lb	\$100
L6N-C3-20-Y	20LB aluminum single point imperial	2 lb	\$100
L6N-C3-30-Y	30LB aluminum single point imperial	2 lb	\$100
L6N-C3-50-Y	50LB aluminum single point imperial	2 lb	\$100
L6N-C3-100-Y	100LB aluminum single point imperial	2 lb	\$100
L6N-C3-200-Y	200LB aluminum single point imperial	2 lb	\$100
L6N-C3-8KG-3B	8KG aluminum single point metric 3M cable	2 lb	\$100

Compatible Products	
Manufacturer	Model
Revere	642
HBM	SP4
Tedea	1042
Celtron	MT1041
Rice Lake	RL1042



L6Q

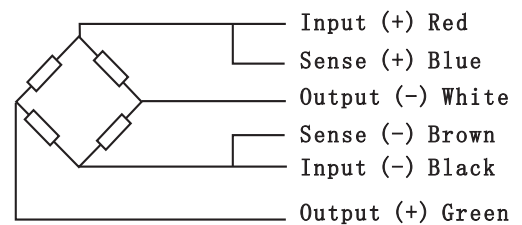
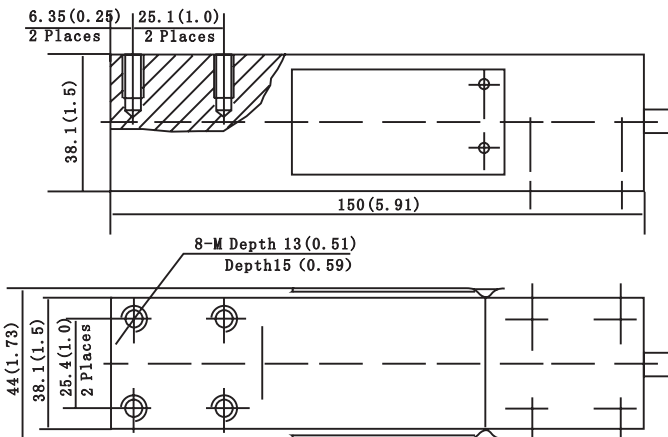
- L6Q load cells are available in the capacities 50kg~250kg
- Aluminum construction with parallel beam
- Silicon adhesive sealed, stainless steel cover, surface anodized and anti-corrosion
- Integral structure and easy installation
- Suitable for electronic pricing scales, platform scales and other electronic weighing devices



Features

- Capacities: 50kg~250kg
- Max. platform size: 400mm x 400mm
- NTEP Cert. No.: CC11-104
- High accuracy
- PTB Approval No.: D09-07.06

Specifications		
Capacity	kg	50/100/150/200/250
Accuracy		C3
Approvals		OIML R60 C3
Maximum Number of Verification Intervals	Nmax	3000
Minimum Load Cell Verification Interval	Vmin	Emax/7000
Combined Error	(%FS)	±0.020
Creep	(%FS/30min)	±0.0167
Temperature Effect on Sensitivity	(%FS/10°C)	±0.0175
Temperature Effect on Zero	(%FS/10°C)	±0.020
Output Sensitivity	(mV/V)	2.0±0.2
Input Resistance	(Ω)	406±6
Output Resistance	(Ω)	350±3
Insulation Resistance	(MΩ)	≥5000 (50VDC)
Zero Balance	(%FS)	2
Temperature, Compensated	(°C)	-10~+40
Temperature, Operating	(°C)	-35~+65
Excitation, Recommended	(V)	5~12 (DC)
Excitation, Max	(V)	18 (DC)
Safe Overload	(%FS)	120
Ultimate Overload	(%FS)	150
Corner Correction		0.02% load value/100mm



Wiring:

Shielded 6 conductor cable and cable jacket is PVC
 Cable Length: 3.0±0.05m
 Cable Diameter: 5.0±0.2mm

Part Number	Capacity	Ship Weight	Price
L6Q-C3-50KG	50KG aluminum single point metric	2 lb	\$145
L6Q-C3-100KG	100KG aluminum single point metric	2 lb	\$145
L6Q-C3-150KG	150KG aluminum single point metric	2 lb	\$145
L6Q-C3-200KG	200KG aluminum single point metric	2 lb	\$145
L6Q-C3-250KG	250KG aluminum single point metric	2 lb	\$145
L6Q-C3-50KG-Y	50KG aluminum single point imperial	2 lb	\$145
L6Q-C3-100KG-Y	100KG aluminum single point imperial	2 lb	\$145
L6Q-C3-150KG-Y	150KG aluminum single point imperial	2 lb	\$145
L6Q-C3-200KG-Y	200KG aluminum single point imperial	2 lb	\$145
L6Q-C3-250KG-Y	250KG aluminum single point imperial	2 lb	\$145

Compatible Products	
Manufacturer	Model
Revere	650
Tedea	1241
Celtron	LPS 60kg~200kg

M	Metric	Imperial
	M6	1/4-20UNC



L6T

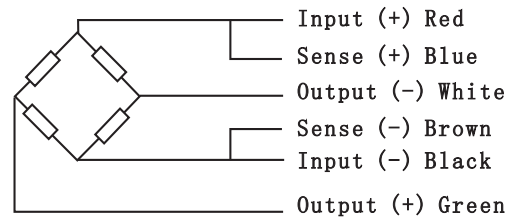
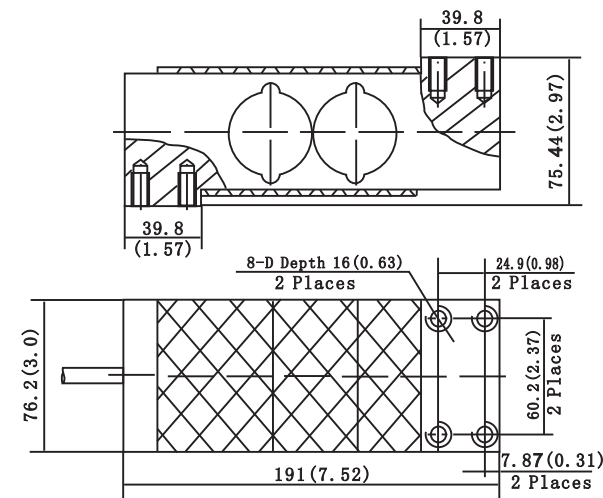
- L6T load cells are available in the capacities 50kg~1000kg
- Aluminum construction with parallel beam
- Silicon adhesive sealed, surface anodized and anti-corrosion
- Integral structure and easy installation
- Suitable for electronic pricing scales, electronic platform scales and other electronic weighing devices

Features

- Capacities: 50kg~1000kg
- Max. platform size: 600mm x 600mm
- High accuracy
- NTEP Cert. No.: CC12-006
- OIML Cert. No.: R60/2000-DE1-10.11



Specifications		
Capacity	kg	50/75/100/150/200/250/300/500/635/1000
Accuracy		C3
Approvals		OIML R60 C3
Maximum Number of Verification Intervals	Nmax	3000
Minimum Number of Verification Intervals	Vmin	Emax/7000
Combined Error	(%FS)	±0.020
Creep	(%FS/30min)	±0.0167
Temperature Effect on Sensitivity	(%FS/10°C)	±0.0175
Temperature Effect on Zero	(%FS/10°C)	±0.020
Output Sensitivity	(mV/V)	2.0±0.2
Input Resistance	(Ω)	406±6
Output Resistance	(Ω)	350±3
Insulation Resistance	(MΩ)	≥5000 (50VDC)
Zero Balance	(%FS)	2
Temperature, Compensated	(°C)	-10~+40
Temperature, Operating	(°C)	-35~+65
Excitation, Recommended	(V)	5~12 (DC)
Excitation, Max	(V)	18 (DC)
Safe Overload	(%FS)	120
Ultimate Overload	(%FS)	150
Corner Correction		0.02% load value/100mm



Wiring:

Shielded 6 conductor cable and cable jacket is PVC
 Cable Length: 3.0±0.1m
 Cable Diameter: 5.0±0.2mm

M	Metric	Imperial
	M8x1.25	5/16-18UNC-2B



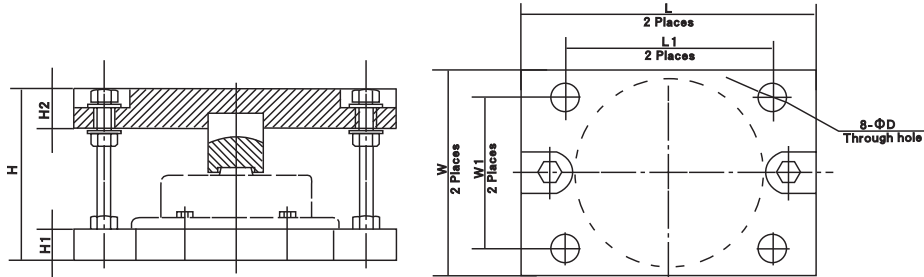
Part Number	Capacity	Ship Weight	Price
L6T-C3-50KG	50KG aluminum single point metric	4 lb	\$345
L6T-C3-75KG	75KG aluminum single point metric	4 lb	\$345
L6T-C3-100KG	100KG aluminum single point metric	4 lb	\$345
L6T-C3-150KG	150KG aluminum single point metric	4 lb	\$345
L6T-C3-200KG	200KG aluminum single point metric	4 lb	\$345
L6T-C3-250KG	250KG aluminum single point metric	4 lb	\$345
L6T-C3-300KG	300KG aluminum single point metric	4 lb	\$345
L6T-C3-500KG	500KG aluminum single point metric	4 lb	\$345
L6T-C3-635KG	635KG aluminum single point metric	4 lb	\$345
L6T-C3-1t	1000KG aluminum single point metric	4 lb	\$345
Imperial Metric			
L6T-C3-50KG-Y	50KG aluminum single point imperial	4 lb	\$345
L6T-C3-75KG-Y	75KG aluminum single point imperial	4 lb	\$345
L6T-C3-0.1t-Y	100KG aluminum single point imperial	4 lb	\$345
L6T-C3-0.15t-Y	150KG aluminum single point imperial	4 lb	\$345
L6T-C3-0.2t-Y	200KG aluminum single point imperial	4 lb	\$345
L6T-C3-0.25t-Y	250KG aluminum single point imperial	4 lb	\$345
L6T-C3-0.3t-Y	300KG aluminum single point imperial	4 lb	\$345
L6T-C3-0.5t-Y	500KG aluminum single point imperial	4 lb	\$345
L6T-C3-635KG-Y	635KG aluminum single point imperial	4 lb	\$345
L6T-C3-1t-Y	1000KG aluminum single point imperial	4 lb	\$345
Imperial US			
L6T0C3-100	100LB aluminum single point metric	4 lb	\$345
L6T0C3-250	250LB aluminum single point metric	4 lb	\$345
L6T0C3-400	400LB aluminum single point metric	4 lb	\$345
L6T0C3-500	500LB aluminum single point metric	4 lb	\$345
L6T0C3-700	700LB aluminum single point metric	4 lb	\$345
L6T0C3-1K	1K aluminum single point metric	4 lb	\$345
L6T0C3-100-Y	100LB aluminum single point imperial	4 lb	\$345
L6T0C3-250-Y	250LB aluminum single point imperial	4 lb	\$345
L6T0C3-400-Y	400LB aluminum single point imperial	4 lb	\$345
L6T0C3-500-Y	500LB aluminum single point imperial	4 lb	\$345
L6T0C3-700-Y	700LB aluminum single point imperial	4 lb	\$345
L6T0C3-1K-Y	1K aluminum single point imperial	4 lb	\$345

Compatible Products	
Manufacturer	Model
Revere	642
Tedea	1252

Single Point



HM-2-401 / H2F



Features:

Alloy steel construction, easy installation with anti-reversal ability, horizontal locating ability and self-aligning ability

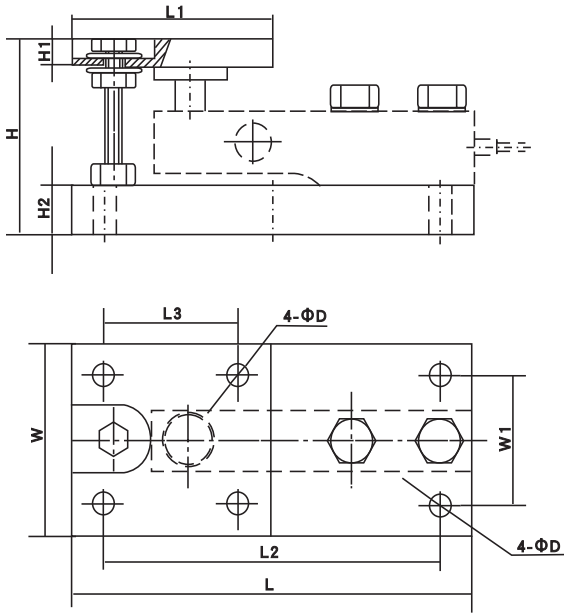
Outline Dimension mm (inch)								
Dimension	H	H1	H2	L	L1	W	W1	ΦD
Capacity								
1t-5t	112 (4.41)	20 (0.79)	27 (1.06)	228 (8.98)	168 (6.61)	170 (6.69)	110 (4.33)	17.5 (0.69)
10t	143 (5.63)	25 (0.98)	31 (1.22)	260 (10.24)	200 (7.87)	200 (7.87)	140 (5.51)	20 (0.79)
15t	163 (6.42)	30 (1.18)	37 (1.46)	294 (11.57)	234 (9.21)	234 (9.21)	174 (6.85)	20 (0.79)
20t	173 (6.81)	30 (1.18)	37 (1.46)	320 (12.6)	260 (10.24)	260 (10.24)	200 (7.87)	20 (0.79)
30t	200 (7.87)	35 (1.38)	47 (1.85)	330 (12.99)	270 (10.63)	270 (10.63)	210 (8.27)	23 (0.91)
50t	225 (8.86)	40 (1.57)	55 (2.17)	364 (14.33)	294 (11.57)	294 (11.57)	224 (8.82)	27 (1.06)

Part Number	Capacity	Ship Weight	Price
3 Module Kit: Hardware, H2F Load Cell, J-Box JBO2-3 and 15' Interface Cable			
HM-2-401-1t-3	2000 lb / 907 kg	111 lb	\$2,230
HM-2-401-2t-3	4000 lb / 1814 kg	111 lb	\$2,310
HM-2-401-3t-3	6000 lb / 2721 kg	120 lb	\$2,385
HM-2-401-5t-3	10,000 lb / 4535 kg	120 lb	\$2,385
HM-2-401-10t-3	20,000 lb / 9071 kg	213 lb	\$4,095
HM-2-401-15t-3	30,000 lb / 13608 kg	324 lb	\$5,030
HM-2-401-20t-3	40,000 lb / 18144 kg	351 lb	\$6,100
HM-2-401-30t-3	60,000 lb / 27216 kg	390 lb	\$6,100
HM-2-401-50t-3	100,000 lb / 45359 kg	510 lb	\$10,235
4 Module Kit: Hardware, H2F Load Cell, J-Box JB02-4 and 15' Interface Cable			
HM-2-401-1t-4	2000 lb / 907 kg	148 lb	\$2,970
HM-2-401-2t-4	4000 lb / 1814 kg	148 lb	\$3,080
HM-2-401-3t-4	6000 lb / 2721 kg	160 lb	\$3,180
HM-2-401-5t-4	10,000 lb / 4535 kg	160 lb	\$3,180
HM-2-401-10t-4	20,000 lb / 9071 kg	284 lb	\$5,460
HM-2-401-15t-4	30,000 lb / 13608 kg	432 lb	\$6,710
HM-2-401-20t-4	40,000 lb / 18144 kg	468 lb	\$7,215
HM-2-401-30t-4	60,000 lb / 27216 kg	520 lb	\$7,215
HM-2-401-50t-4	100,000 lb / 45359 kg	680 lb	\$12,000





HM-8-401 / HM8



Outline Dimension mm (inch)				
Capacity	0.5-3t	5t	10-15t	20t
Dimension				
L	240 (9.45)	300 (11.8)	355.6 (14.0)	406.4 (16.0)
L1	114.3 (4.5)	152.4 (6.0)	203.2 (8.0)	228.6 (9.0)
L2	214.6 (4.5)	249.2 (9.81)	304.8 (12.0)	342.9 (13.5)
L3	88.9 (4.5)	101.6 (4.0)	152.4 (6.0)	165.1 (6.5)
H	104.8 (4.13)	136.5 (5.37)	190.5 (7.5)	228.6 (9.0)
H1	25.4 (1.0)	42 (1.65)	44.5 (1.75)	50.8 (2.0)
H2	25.4 (1.0)	42 (1.65)	44.5 (1.75)	50.8 (2.0)
W	114.3 (4.50)	152.4 (6.0)	203.2 (8.0)	228.6 (9.0)
W1	88.9 (4.5)	101.6 (4.0)	152.4 (6.0)	165.1 (6.5)
D	11 (0.43)	17.5 (0.69)	20.6 (0.81)	25.5 (1.0)

Specifications					
Capacity	t	0.5-3	5	10-15	20
Ultimate Load	%F.S.	150	150	150	150
Maximum Horizontal Displacement	mm	5	4	-	-
Maximum Anti-Rotation	KN	3	10	30	50
Material	Alloy steel				

Optional Table		
Part Number	Designation	Cutline
HM-8-401-1	Fixed	
HM-8-401-2	Half-floating	
HM-8-401-3	Floating	

Features:

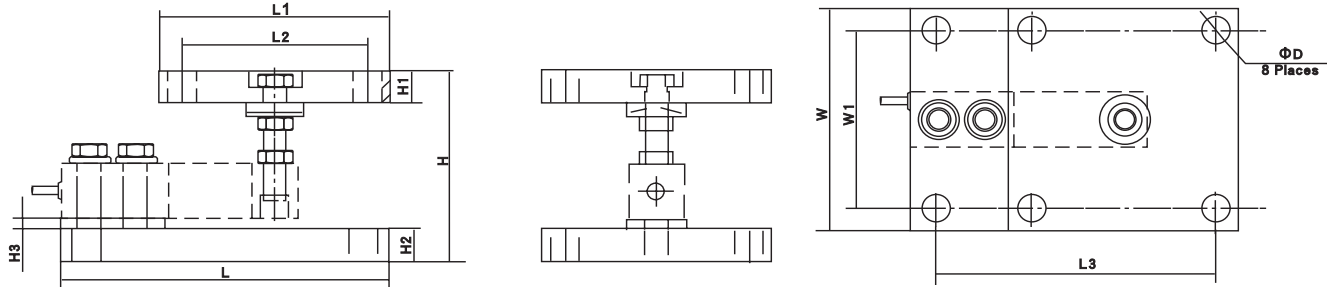
Alloy steel construction, easy installation with anti-reversal ability, anti-overloading ability and self-aligning ability. Using under heavy static load or slight dynamic load.

Part Number	Capacity	Ship Weight	Price
3 Module Kit: Hardware, HM8 Load Cell, J-Box JB02-3 and 15' Interface Cable			
HM-8-401-0.5t-3	1000 lb / 453 kg	78 lb	\$1,605
HM-8-401-1t-3	2000 lb / 907 kg	78 lb	\$1,605
HM-8-401-2t-3	4000 lb / 1814 kg	84 lb	\$1,605
HM-8-401-2.5t-3	5000 lb / 2268 kg	84 lb	\$1,605
HM-8-401-3t-3	6000 lb / 2721 kg	105 lb	\$1,605
HM-8-401-5t-3	10,000 lb / 4535 kg	120 lb	\$2,410
HM-8-401-10t-3	20,000 lb / 9071 kg	219 lb	\$3,150
HM-8-401-15t-3	30,000 lb / 13608 kg	219 lb	\$3,150
HM-8-401-20t-3	40,000 lb / 18144 kg	264 lb	\$4,810
4 Module Kit: Hardware, HM8 Load Cell, J-Box JB02-4 and 15' Interface Cable			
HM-8-401-0.5t-4	1000 lb / 453 kg	104 lb	\$2,135
HM-8-401-1t-4	2000 lb / 907 kg	104 lb	\$2,135
HM-8-401-2t-4	4000 lb / 1814 kg	112 lb	\$2,135
HM-8-401-2.5t-4	5000 lb / 2268 kg	112 lb	\$2,135
HM-8-401-3t-4	6000 lb / 2721 kg	140 lb	\$2,135
HM-8-401-5t-4	10,000 lb / 4535 kg	160 lb	\$3,210
HM-8-401-10t-4	20,000 lb / 9071 kg	292 lb	\$4,200
HM-8-401-15t-4	30,000 lb / 13608 kg	292 lb	\$4,200
HM-8-401-20t-4	40,000 lb / 18144 kg	352 lb	\$6,410





HM-8-402 / H8C



Outline Dimension mm (inch)											
Dimension	L	L1	L2	L3	H	H1	H2	H3	W	W1	D
Capacity											
0.5t-2t 1Klb-4Klb	180.9 (7.12)	127 (5.0)	101.6 (5.0)	152.4 (6.0)	100-120 (3.94-4.72)	18 (0.71)	18 (0.71)	6.1 (0.24)	127 (5.0)	101.6 (4.0)	16 (0.63)
2.5t-5t 5Klb-10Klb	215.9 (8.5)	127 (5.0)	101.6 (5.0)	177.8 (7.0)	130-150 (5.12-5.91)	26 (1.02)	26 (1.02)	6.1 (0.24)	127 (5.0)	101.6 (4.0)	16 (0.63)

Features:

Alloy steel construction, easy installation. Adjustable mounting height. Using under heavy static load or slight dynamic load.

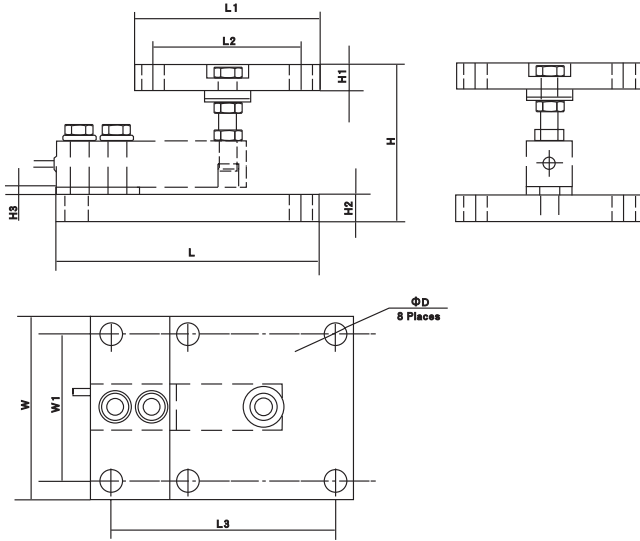
Part Number	Capacity	Ship Weight	Price
3 Module Kit: Hardware, H8C Load Cell, J-Box JB02-3 and 15' Interface Cable			
HM-8-402-1K-3	1000 lb / 453 kg	51 lb	\$885
HM-8-402-1.5K-3	1500 lb / 680 kg	51 lb	\$885
HM-8-402-2K-3	2000 lb / 907 kg	51 lb	\$885
HM-8-402-2.5K-3	2500 lb / 1134 kg	51 lb	\$885
HM-8-402-3K-3	3000 lb / 1360 kg	51 lb	\$885
HM-8-402-4K-3	4000 lb / 1814 kg	51 lb	\$885
HM-8-402-5KS-3	5000 lb / 2268 kg	51 lb	\$885
HM-8-402-5KL-3	5000 lb / 2268 kg	60 lb	\$1,465
HM-8-402-7.5K-3	7500 lb / 3401 kg	60 lb	\$1,465
HM-8-402-10K-3	10,000 lb / 4355 kg	60 lb	\$1,465
4 Module Kit: Hardware, H8C Load Cell, J-Box JB02-4 and 15' Interface Cable			
HM-8-402-1K-4	1000 lb / 453 kg	68 lb	\$1,180
HM-8-402-1.5K-4	1500 lb / 680 kg	68 lb	\$1,180
HM-8-402-2K-4	2000 lb / 907 kg	68 lb	\$1,180
HM-8-402-2.5K-4	2500 lb / 1134 kg	68 lb	\$1,180
HM-8-402-3K-4	3000 lb / 1360 kg	68 lb	\$1,180
HM-8-402-4K-4	4000 lb / 1814 kg	68 lb	\$1,180
HM-8-402-5KS-4	5000 lb / 2268 kg	68 lb	\$1,180
HM-8-402-5KL-4	5000 lb / 2268 kg	80 lb	\$1,950
HM-8-402-7.5K-4	7500 lb / 3401 kg	80 lb	\$1,950
HM-8-402-10K-4	10,000 lb / 4355 kg	80 lb	\$1,950



Weighing Modules



BM-8-404 / B8D



Outline Dimension mm (inch)		
Capacity	0.5t-2t (1Klb-4Klb)	2.5t-5t (5Klb-10Klb)
Dimension		
L	180.9 (7.12)	215.9 (8.5)
L1	127 (5.0)	127 (5.0)
L2	101.6 (5.0)	101.6 (5.0)
L3	152.4 (6.0)	177.8 (7.0)
H	100-120 (3.94-4.72)	130-150 (5.12-5.91)
H1	18 (0.71)	26 (1.02)
H2	18 (0.71)	26 (1.02)
H3	6.1 (0.24)	6.1 (0.24)
W	127 (5.0)	127 (5.0)
W1	101.6 (4.0)	101.16 (4.0)
D	16 (0.63)	16 (0.63)

Features:

Stainless steel construction, easy installation. Adjustable mounting height. Using under heavy static load or slight dynamic load. Good ability against corrosive environments.

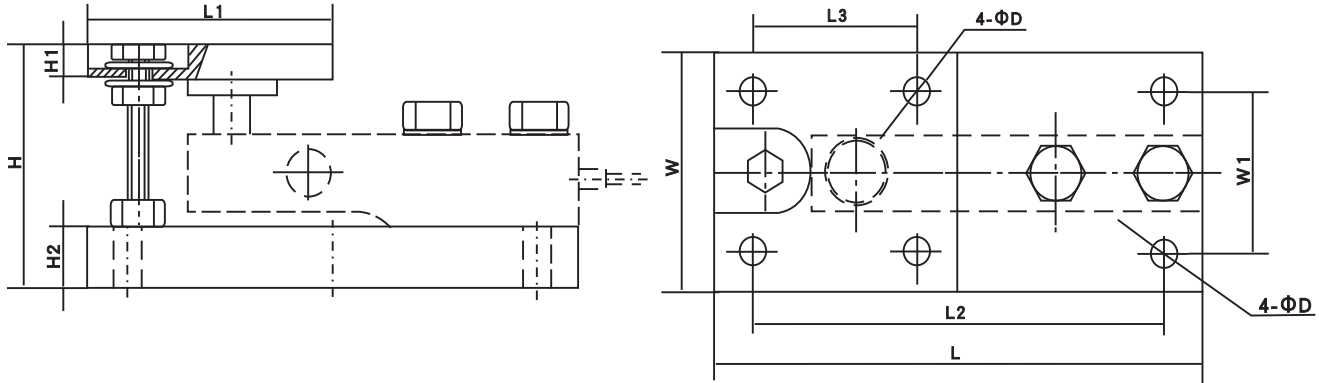
Part Number	Capacity	Ship Weight	Price
3 Module Kit: Hardware, B8D Load Cell, J-Box JB02-3 and 15' Interface Cable			
BM-8-404-0.5K-3	500 lb / 226 kg	51 lb	\$1,880
BM-8-404-1K-3	1000 lb / 453 kg	51 lb	\$1,880
BM-8-404-1.5K-3	1500 lb / 680 kg	51 lb	\$1,880
BM-8-404-2K-3	2000 lb / 907 kg	51 lb	\$1,880
BM-8-404-2.5K-3	2500 lb / 1134 kg	51 lb	\$1,880
BM-8-404-3K-3	3000 lb / 1360 kg	51 lb	\$1,880
BM-8-404-4K-3	4000 lb / 1814 kg	51 lb	\$1,880
BM-8-404-5KS-3	5000 lb / 2268 kg	78 lb	\$1,880
BM-8-404-5KL-3	5000 lb / 2268 kg	78 lb	\$2,055
BM-8-404-7.5K-3	7500 lb / 3401 kg	78 lb	\$2,600
BM-8-404-10K-3	10,000 lb / 4535 kg	78 lb	\$2,600
4 Module Kit: Hardware, B8D Load Cell, J-Box JB02-4 and 15' Interface Cable			
BM-8-404-0.5K-4	500 lb / 226 kg	68 lb	\$2,510
BM-8-404-1K-4	1000 lb / 453 kg	68 lb	\$2,510
BM-8-404-1.5K-4	1500 lb / 680 kg	68 lb	\$2,510
BM-8-404-2K-4	2000 lb / 907 kg	68 lb	\$2,510
BM-8-404-2.5K-4	2500 lb / 1134 kg	68 lb	\$2,510
BM-8-404-3K-4	3000 lb / 1360 kg	68 lb	\$2,510
BM-8-404-4K-4	4000 lb / 1814 kg	68 lb	\$2,510
BM-8-404-5KS-4	5000 lb / 2268 kg	104 lb	\$2,510
BM-8-404-5KL-4	5000 lb / 2268 kg	104 lb	\$2,740
BM-8-404-7.5K-4	7500 lb / 3401 kg	104 lb	\$3,465
BM-8-404-10K-4	10,000 lb / 4535 kg	104 lb	\$3,465



Weighing Modules



BM-8-406 / BM8H



Outline Dimension mm (inch)

Dimension	L	L1	L2	L3	H	H1	H2	W	W1	D
Capacity										
0.25t-2t 0.5-5Klb	177.8 (7.0)	114.3 (4.5)	150.4 (6.0)	88.9 (4.5)	104.8 (4.13)	25.4 (1.0)	19 (0.75)	114.3 (4.50)	88.9 (4.5)	11 (0.43)
5t 10Klb	235 (9.25)	152.4 (6.0)	184.2 (7.25)	101.6 (4.0)	136.5 (5.37)	32 (1.26)	25.4 (1.0)	152.4 (6.0)	101.6 (4.0)	17.5 (0.69)

Specifications

Capacity	t	0.25-2	5
Ultimate Load	%F.S.	150	150
Maximum Horizontal Displacement	mm	4	4
Maximum Anti-Rotation	KN	3	10
Material	Stainless steel		

Optional Table

Part Number	Designation	Cutline
BM-8-406-1	Fixed	○
BM-8-406-2	Half-floating	↔
BM-8-406-3	Floating	⊕

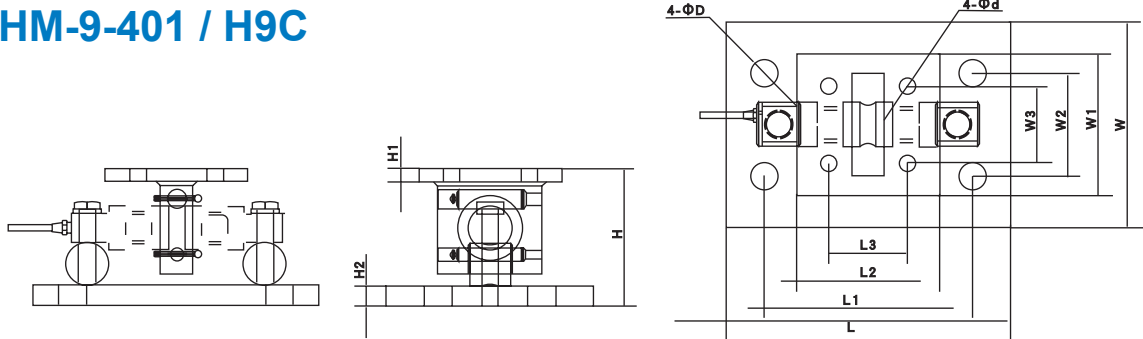
Stainless steel construction, easy installation with anti-reversal ability, anti-overloading ability and self-aligning ability. Good ability against corrosive environments.

Part Number	Capacity	Ship Weight	Price
3 Module Kit: Hardware, BM8H Load Cell, J-Box JB02-3 and 15' Interface Cable			
BM-8-406-1K-3	1000 lb / 453 kg	33 lb	\$2,425
BM-8-406-2.5K-3	2500 lb / 1134 kg	33 lb	\$2,425
BM-8-406-4K-3	4000 lb / 1814 kg	33 lb	\$2,425
BM-8-406-5K-3	5000 lb / 2268 kg	33 lb	\$2,425
BM-8-406-10K-3	10,000 lb / 4535 kg	45 lb	\$3,050
4 Module Kit: Hardware, BM8H Load Cell, J-Box JB02-4 and 15' Interface Cable			
BM-8-406-1K-4	1000 lb / 453 kg	44 lb	\$3,235
BM-8-406-2.5K-4	2500 lb / 1134 kg	44 lb	\$3,235
BM-8-406-4K-4	4000 lb / 1814 kg	44 lb	\$3,235
BM-8-406-5K-4	5000 lb / 2268 kg	44 lb	\$3,235
BM-8-406-10K-4	10,000 lb / 4535 kg	52 lb	\$3,910





HM-9-401 / H9C



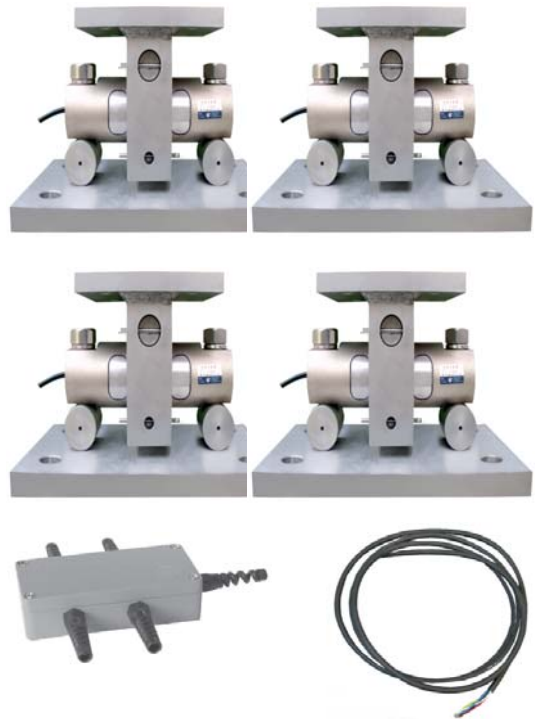
Outline Dimension mm (inch)													
Dimension	L	L1	L2	L3	W	W1	W2	W3	H	H1	H2	D	d
Capacity													
5-20Klb	279.4 (11)	203.2 (8)	139.7 (5.5)	76.2 (3)	203.2 (8)	139.7 (5.5)	101.6 (4)	76.2 (3)	134.6 (5.3)	12.7 (0.5)	19 (0.75)	26.9 (1.06)	16 (0.63)
30-75Klb	381 (15)	292.1 (11.5)	203.2 (8)	130.3 (5.13)	254 (10)	203.2 (8)	152.4 (6)	130.3 (5.13)	214.1 (8.43)	19.1 (0.75)	25 (1.0)	31 (1.22)	19.1 (0.75)
100-150Klb	457.2 (18)	355.6 (14)	254 (10)	190.5 (7.5)	304.8 (12)	254 (10)	228.6 (9)	190.5 (7.5)	246 (10.39)	31.8 (1.25)	31.8 (1.25)	35.1 (1.38)	20.6 (0.81)
200-250Klb	660.4 (26)	508 (20)	304.8 (12)	228.6 (9)	304.8 (12)	304.8 (12)	152.4 (6)	228.6 (9)	400 (15.73)	50.8 (2)	50.8 (2)	47.8 (1.88)	26.9 (1.06)
5-20Klb SPEC	279.4 (11)	203.2 (8)	152.4 (6)	76.2 (3)	190.5 (7.5)	152.4 (6)	101.6 (4)	76.2 (3)	134.6 (5.3)	19 (0.75)	19 (0.75)	26.9 (1.06)	14.22 (0.56)

Specifications	
Safe Overload	150%F.S.
Ultimate Overload	300%F.S.
Maximum Anti-Rotation	40%F.S.
Maximum Anti-Side Loading	20%F.S.
Maximum Vertical Lifting	5-20K:3.3K (1.5t) /30-75K:11K (5t) 100-150K:16.5K (7.5t) /200-250K:68K (31t)

Features:

Alloy steel construction, easy installation with anti-reversal ability. Using under heavy static load or slight dynamic load.

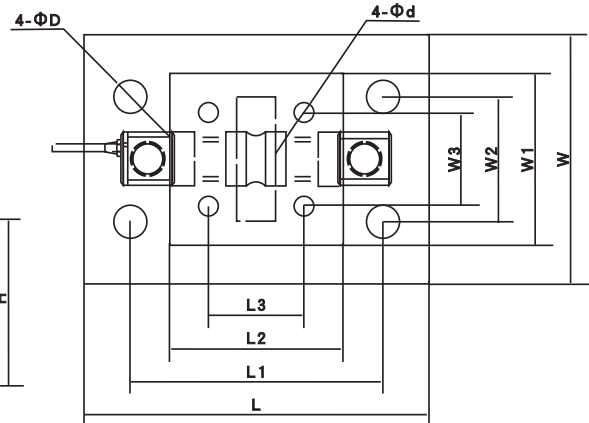
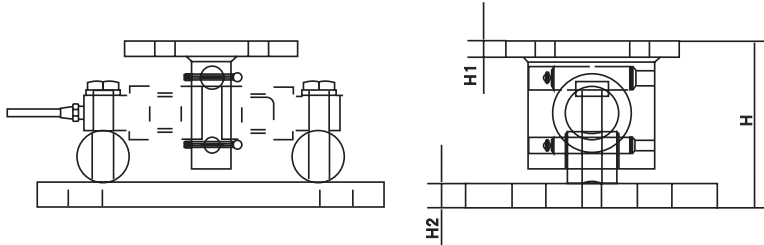
Part Number	Capacity	Ship Weight	Price
3 Module Kit: Hardware, H9C Load Cell, J-Box JBO2-3 and 15' Interface Cable			
HM-9-401-5K-3	5000 lb / 2268 kg	105 lb	\$2,425
HM-9-401-10K-3	10,000 lb / 4535 kg	105 lb	\$2,425
HM-9-401-20K-3	20,000 lb / 9071 kg	120 lb	\$2,425
HM-9-401-30K-3	30,000 lb / 13608 kg	324 lb	\$4,430
HM-9-401-40K-3	40,000 lb / 18144 kg	324 lb	\$4,430
HM-9-401-50K-3	50,000 lb / 22680 kg	330 lb	\$4,430
HM-9-401-60K-3	60,000 lb / 27216 kg	330 lb	\$4,430
HM-9-401-75K-3	75,000 lb / 34019 kg	330 lb	\$4,430
HM-9-401-100K-3	100,000 lb / 45359 kg	483 lb	\$6,410
HM-9-401-150K-3	150,000 lb / 68039 kg	501 lb	\$7,035
HM-9-401-200K-3	200,000 lb / 90718 kg	-	\$13,935
HM-9-401-250K-3	250,000 lb / 113398 kg	-	\$13,935
4 Module Kit: Hardware, H9C Load Cell, J-Box JB02-4 and 15' Interface Cable			
HM-9-401-5K-4	5000 lb / 2268 kg	140 lb	\$3,235
HM-9-401-10K-4	10,000 lb / 4535 kg	140 lb	\$3,235
HM-9-401-20K-4	20,000 lb / 9071 kg	160 lb	\$3,235
HM-9-401-30K-4	30,000 lb / 13608 kg	432 lb	\$5,765
HM-9-401-40K-4	40,000 lb / 18144 kg	432 lb	\$5,765
HM-9-401-50K-4	50,000 lb / 22680 kg	440 lb	\$5,765
HM-9-401-60K-4	60,000 lb / 27216 kg	440 lb	\$5,765
HM-9-401-75K-4	75,000 lb / 34019 kg	440 lb	\$5,765
HM-9-401-100K-4	100,000 lb / 45359 kg	644 lb	\$8,550
HM-9-401-150K-4	150,000 lb / 68039 kg	688 lb	\$9,375
HM-9-401-200K-4	200,000 lb / 90718 kg	-	\$18,575
HM-9-401-250K-4	250,000 lb / 113398 kg	-	\$18,575



Weighing Modules



BM-9-402 / B9C



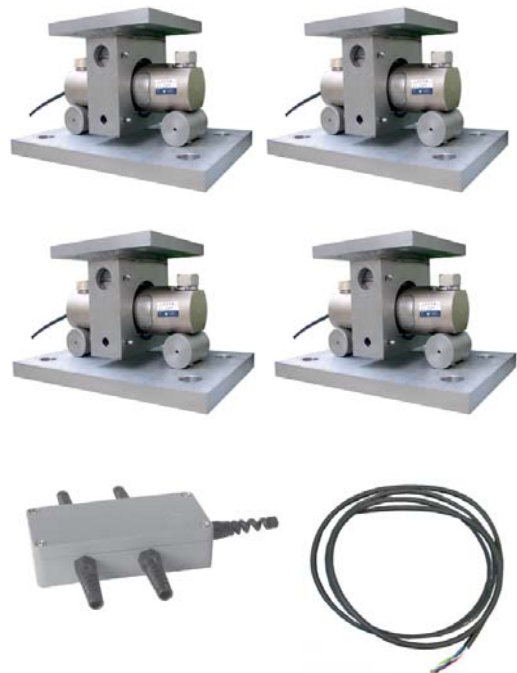
Outline Dimension mm (inch)													
Dimension	L	L1	L2	L3	W	W1	W2	W3	H	H1	H2	D	d
Capacity													
5-20Klb	279.4 (11)	203.2 (8)	139.7 (5.5)	76.2 (3)	203.2 (8)	139.7 (5.5)	101.6 (4)	76.2 (3)	139.2 (5.48)	12.7 (0.5)	19 (0.75)	26.9 (1.06)	16 (0.63)
30-75Klb	381 (15)	292.1 (11.5)	203.2 (8)	130.3 (5.13)	254 (10)	203.2 (8)	152.4 (6)	130.3 (5.13)	214.1 (8.43)	19.1 (0.75)	25 (1.0)	31 (1.22)	19.1 (0.75)
100-150Klb	457.2 (18)	255.6 (14)	254 (10)	190.5 (7.5)	304.8 (12)	254 (10)	228.6 (9)	190.5 (7.5)	246 (10.39)	31.8 (1.25)	31.8 (1.25)	35.1 (1.38)	20.6 (0.81)
200-250Klb	660.4 (26)	508 (20)	304.8 (12)	228.6 (9)	304.8 (12)	304.8 (12)	152.4 (6)	228.6 (9)	400 (15.73)	50.8 (2)	50.8 (2)	47.8 (1.88)	26.9 (1.06)

Specifications	
Safe Overload	150%F.S.
Ultimate Overload	300%F.S.
Maximum Anti-Rotation	40%F.S.
Maximum Anti-Side Loading	20%F.S.
Maximum Vertical Lifting	5-20K:3.3K (1.5t) /30-75K:11K (5t) 100-150K:16.5K (7.5t) /200-250K:68K (31t)

Features:

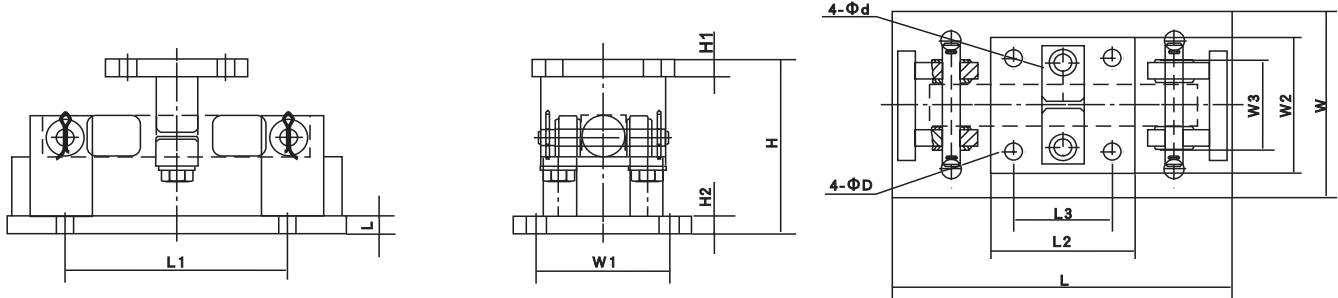
Stainless steel construction, easy installation with anti-reversal ability. Using under heavy static load or slight dynamic load. Stainless steel, with good ability against corrosive environments.

Part Number	Capacity	Ship Weight	Price
3 Module Kit: Hardware, B9C Load Cell, J-Box JB02-3 and 15' Interface Cable			
BM-9-402-5K-3	5000 lb / 2268 kg	105 lb	\$4,325
BM-9-402-10K-3	10,000 lb / 4535 kg	105 lb	\$4,325
BM-9-402-20K-3	20,000 lb / 9071 kg	120 lb	\$4,325
BM-9-402-30K-3	30,000 lb / 13608 kg	324 lb	\$8,295
BM-9-402-40K-3	40,000 lb / 18144 kg	324 lb	\$8,295
BM-9-402-50K-3	50,000 lb / 22680 kg	330 lb	\$8,395
BM-9-402-60K-3	60,000 lb / 27216 kg	330 lb	\$8,395
BM-9-402-75K-3	75,000 lb / 34019 kg	462 lb	\$8,395
BM-9-402-100K-3	100,000 lb / 45359 kg	483 lb	\$13,020
BM-9-402-150K-3	150,000 lb / 68039 kg	501 lb	\$13,295
BM-9-402-200K-3	200,000 lb / 90718 kg	840 lb	\$24,580
BM-9-402-250K-3	250,000 lb / 113398 kg	840 lb	\$29,690
4 Module Kit: Hardware, B9C Load Cell, J-Box JB02-4 and 15' Interface Cable			
BM-9-402-5K-4	5000 lb / 2268 kg	140 lb	\$5,800
BM-9-402-10K-4	10,000 lb / 4535 kg	140 lb	\$5,800
BM-9-402-20K-4	20,000 lb / 9071 kg	160 lb	\$5,800
BM-9-402-30K-4	30,000 lb / 13608 kg	432 lb	\$11,275
BM-9-402-40K-4	40,000 lb / 18144 kg	432 lb	\$11,275
BM-9-402-50K-4	50,000 lb / 22680 kg	440 lb	\$11,550
BM-9-402-60K-4	60,000 lb / 27216 kg	440 lb	\$11,550
BM-9-402-75K-4	75,000 lb / 34019 kg	616 lb	\$11,550
BM-9-402-100K-4	100,000 lb / 45359 kg	644 lb	\$17,360
BM-9-402-150K-4	150,000 lb / 68039 kg	668 lb	\$17,650
BM-9-402-200K-4	200,000 lb / 90718 kg	1120 lb	\$32,770
BM-9-402-250K-4	250,000 lb / 113398 kg	1120 lb	\$39,590





HM-9-403 / H9D



Outline Dimension mm (inch)													
Dimension	L	L1	L2	L3	W	W1	W2	W3	H	H1	H2	D	d
Capacity													
1-5Klb	235 (9.25)	158.8 (6.25)	101.6 (4)	69.9 (2.75)	127 (5)	95.3 (3.75)	101.6 (4)	69.9 (2.75)	130.3 (5.13)	12.7 (0.5)	12.7 (0.5)	14.2 (0.56)	14.2 (0.56)
10-35Klb	304.8 (12)	190.5 (7.5)	203.2 (8)	152.4 (6)	203.2 (8)	152.4 (6)	203.2 (8)	152.4 (6)	200.67 (7.90)	19.1 (0.75)	19.1 (0.75)	20.6 (0.81)	20.6 (0.81)
50-75Klb	412.8 (16.25)	292.1 (11.5)	228.6 (9.0)	165.1 (6.5)	304.8 (12)	241.3 (9.5)	228.6 (9.0)	165.1 (6.2)	236.2 (9.3)	25.4 (1)	25.4 (1)	20.6 (0.81)	20.6 (0.81)

Features:

Alloy steel construction, easy installation. Excellent anti-side loading ability with self-aligning ability. Use under heavy static load or slight dynamic load.

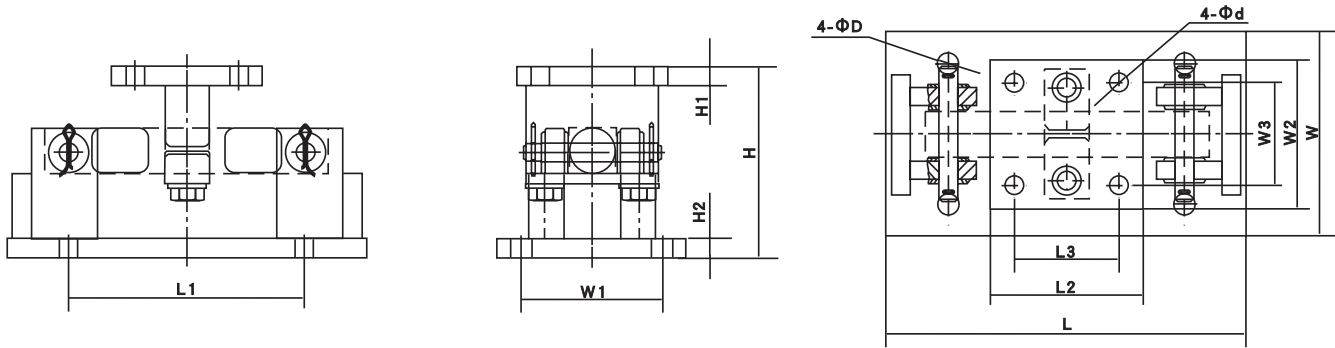
Part Number	Capacity	Ship Weight	Price
3 Module Kit: Hardware, H9D Load Cell, J-Box JB02-3 and 15' Interface Cable			
HM-9-403-1K-3	1000 lb / 453 kg	72 lb	\$1,995
HM-9-403-1.5K-3	1500 lb / 680 kg	72 lb	\$1,995
HM-9-403-2K-3	2000 lb / 907 kg	72 lb	\$1,995
HM-9-403-2.5K-3	2500 lb / 1134 kg	72 lb	\$1,995
HM-9-403-4K-3	4000 lb / 1814 kg	72 lb	\$1,995
HM-9-403-5K-3	5000 lb / 2268 kg	72 lb	\$1,995
HM-9-403-10K-3	10,000 lb / 4535 kg	204 lb	\$2,595
HM-9-403-15K-3	15,000 lb / 6803 kg	204 lb	\$2,595
HM-9-403-20K-3	20,000 lb / 9071 kg	204 lb	\$2,595
HM-9-403-25K-3	25,000 lb / 11340 kg	204 lb	\$2,595
HM-9-403-35K-3	35,000 lb / 15876 kg	204 lb	\$2,595
HM-9-403-50K-3	50,000 lb / 22680 kg	435 lb	\$5,350
HM-9-403-75K-3	75,000 lb / 34019 kg	435 lb	\$5,350
4 Module Kit: Hardware, H9D Load Cell, J-Box JB02-4 and 15' Interface Cable			
HM-9-403-1K-4	1000 lb / 453 kg	96 lb	\$2,550
HM-9-403-1.5K-4	1500 lb / 680 kg	96 lb	\$2,550
HM-9-403-2K-4	2000 lb / 907 kg	96 lb	\$2,550
HM-9-403-2.5K-4	2500 lb / 1134 kg	96 lb	\$2,550
HM-9-403-4K-4	4000 lb / 1814 kg	96 lb	\$2,550
HM-9-403-5K-4	5000 lb / 2268 kg	96 lb	\$2,550
HM-9-403-10K-4	10,000 lb / 4535 kg	272 lb	\$3,350
HM-9-403-15K-4	15,000 lb / 6803 kg	272 lb	\$3,350
HM-9-403-20K-4	20,000 lb / 9071 kg	272 lb	\$3,350
HM-9-403-25K-4	25,000 lb / 11340 kg	272 lb	\$3,350
HM-9-403-35K-4	35,000 lb / 15876 kg	272 lb	\$3,350
HM-9-403-50K-4	50,000 lb / 22680 kg	580 lb	\$7,640
HM-9-403-75K-4	75,000 lb / 34019 kg	580 lb	\$7,640



Weighing Modules



BM-9-404 / B9D

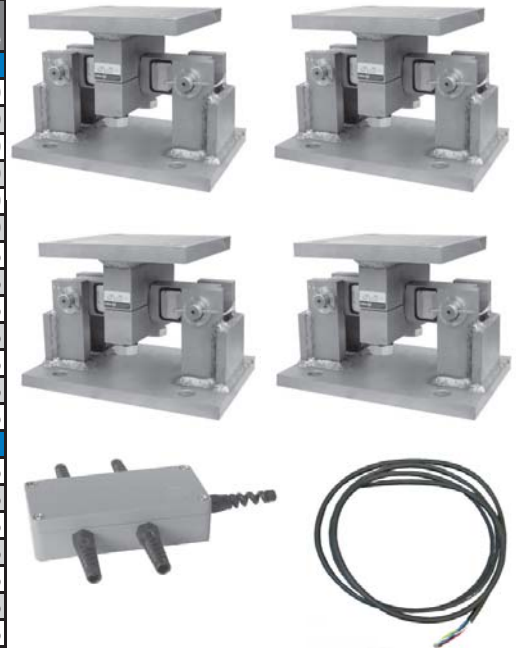


Outline Dimension mm (inch)													
Dimension	L	L1	L2	L3	W	W1	W2	W3	H	H1	H2	D	d
Capacity													
1-5Klb	241.3 (9.5)	158.8 (6.25)	101.6 (4)	69.9 (2.75)	139.7 (5.5)	95.3 (3.75)	101.6 (4)	69.9 (2.75)	130.3 (5.13)	12.7 (0.5)	12.7 (0.5)	14.2 (0.56)	14.2 (0.56)
10-35Klb	292.1 (17.5)	190.5 (7.5)	203.2 (8)	152.4 (6)	203.2 (8)	152.4 (6)	203.2 (8)	152.4 (6)	200.67 (7.90)	19.1 (0.75)	19.1 (0.75)	20.6 (0.81)	20.6 (0.81)
50-75Klb	406.1 (16)	292.1 (11.5)	203.2 (8)	165.1 (6.5)	298.5 (11.75)	241.3 (9.5)	203.2 (8)	165.1 (6.5)	233.7 (9.2)	25.4 (1)	25.4 (1)	20.6 (0.81)	20.6 (0.81)

Features:

Stainless steel construction, easy installation. Excellent anti-side loading ability. Use under heavy static load or slight dynamic load. Stainless steel, with good ability against corrosive environments.

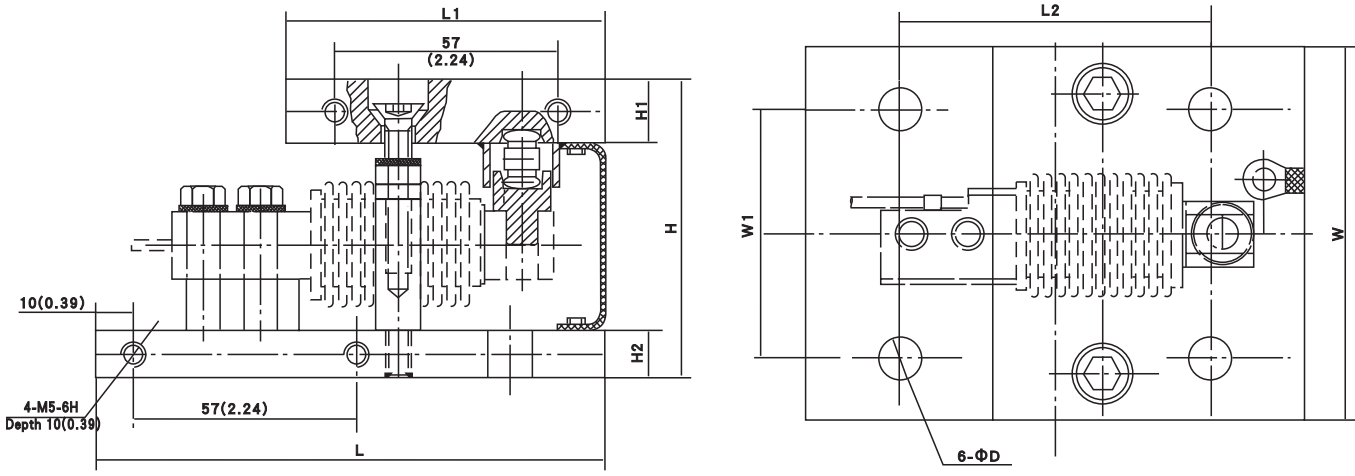
Part Number	Capacity	Ship Weight	Price
3 Module Kit: Hardware, B9D Load Cell, J-Box JB02-3 and 15' Interface Cable			
BM-9-404-1K-3	1000 lb / 453 kg	78 lb	\$3,250
BM-9-404-1.5K-3	1500 lb / 680 kg	78 lb	\$3,250
BM-9-404-2K-3	2000 lb / 907 kg	78 lb	\$3,250
BM-9-404-2.5K-3	2500 lb / 1134 kg	78 lb	\$3,250
BM-9-404-4K-3	4000 lb / 1814 kg	78 lb	\$3,250
BM-9-404-5K-3	5000 lb / 2268 kg	78 lb	\$3,250
BM-9-404-10K-3	10,000 lb / 4535 kg	204 lb	\$4,895
BM-9-404-15K-3	15,000 lb / 6803 kg	204 lb	\$4,895
BM-9-404-20K-3	20,000 lb / 9071 kg	204 lb	\$4,895
BM-9-404-25K-3	25,000 lb / 11340 kg	204 lb	\$4,895
BM-9-404-35K-3	35,000 lb / 15876 kg	204 lb	\$4,895
BM-9-404-50K-3	50,000 lb / 22680 kg	435 lb	\$10,995
BM-9-404-75K-3	75,000 lb / 34019 kg	435 lb	\$10,995
4 Module Kit: Hardware, B9D Load Cell, J-Box JB03-4 and 15' Interface Cable			
BM-9-404-1K-4	1000 lb / 453 kg	104 lb	\$4,195
BM-9-404-1.5K-4	1500 lb / 680 kg	104 lb	\$4,195
BM-9-404-2K-4	2000 lb / 907 kg	104 lb	\$4,195
BM-9-404-2.5K-4	2500 lb / 1134 kg	104 lb	\$4,195
BM-9-404-4K-4	4000 lb / 1814 kg	104 lb	\$4,195
BM-9-404-5K-4	5000 lb / 2268 kg	104 lb	\$4,195
BM-9-404-10K-4	10,000 lb / 4535 kg	272 lb	\$6,695
BM-9-404-15K-4	15,000 lb / 6803 kg	272 lb	\$6,695
BM-9-404-20K-4	20,000 lb / 9071 kg	272 lb	\$6,695
BM-9-404-25K-4	25,000 lb / 11340 kg	272 lb	\$6,695
BM-9-404-35K-4	35,000 lb / 15876 kg	272 lb	\$6,695
BM-9-404-50K-4	50,000 lb / 22680 kg	580 lb	\$14,995
BM-9-404-75K-4	75,000 lb / 34019 kg	580 lb	\$14,995



Weighing Modules



BM-11-401 / BM11



Outline Dimension mm (inch)									
Dimension	H	H1	H2	L	L1	L2	W	W1	Φd
Capacity									
5KG-200KG	77 (3.03)	12 (0.47)	12 (0.47)	130 (5.12)	75 (2.95)	95 (3.74)	90 (3.54)	60 (2.36)	Φ9 (0.35)
350KG-500KG	90 (3.54)	20 (0.79)	15 (0.59)	160 (5.3)	100 (3.94)	100 (3.94)	120 (4.72)	80 (3.15)	Φ14 (0.55)

Features:
Compact construction, easy installation with anti-reversal ability, anti-overloading ability and self-aligning ability.

Part Number	Capacity	Ship Weight	Price
3 Module Kit: Hardware, BM11 Load Cell, J-Box JB02-3 and 15' Interface Cable			
BM-1-401-20KG-3	44 lb / 20 kg	27 lb	\$2,565
BM-1-401-30KG-3	66 lb / 30 kg	27 lb	\$2,565
BM-1-401-100KG3	220 lb / 100 kg	27 lb	\$2,565
BM-1-401-200KG3	440 lb / 200 kg	27 lb	\$2,565
BM-1-401-350KG3	770 lb / 350 kg	39 lb	\$2,810
BM-1-401-500KG3	1102 lb / 500 kg	39 lb	\$2,810
4 Module Kit: Hardware, BM11 Load Cell, J-Box JB02-4 and 15' Interface Cable			
BM-1-401-20KG-4	44 lb / 20 kg	36 lb	\$3,420
BM-1-401-30KG-4	66 lb / 30 kg	36 lb	\$3,420
BM-1-401-100KG4	220 lb / 100 kg	36 lb	\$3,420
BM-1-401-200KG4	440 lb / 200 kg	36 lb	\$3,420
BM-1-401-350KG4	770 lb / 350 kg	52 lb	\$3,750
BM-1-401-500KG4	1102 lb / 500 kg	52 lb	\$3,750



Weighing Modules

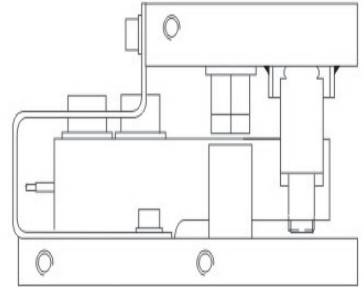


BM-8-411

Capacity
0.5t-2t

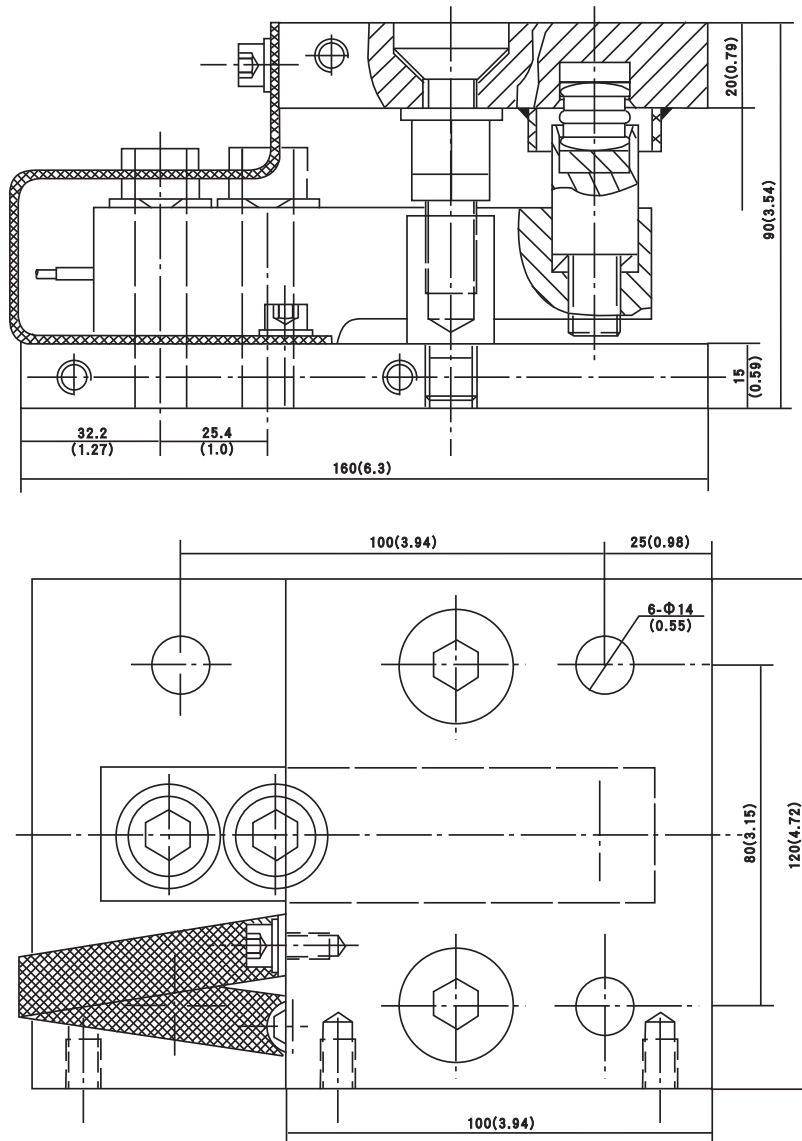
Features:
Compact construction, easy installation with anti-reversal ability, anti-overloading ability and self-aligning ability

Part Number	Capacity	Ship Weight	Price
BM-8-411-0.5/2t	BM8H hardware: stainless shear beam mount	11 lb	\$815



Stainless steel, assembled with BM8H (not included)

Outline Dimensions mm (inch)



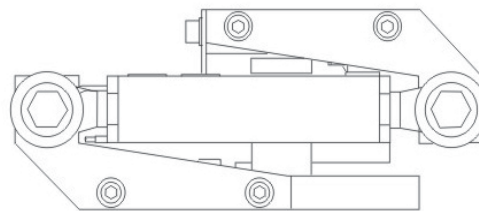


BM-8-412

Capacity
0.5t-2t

Features:

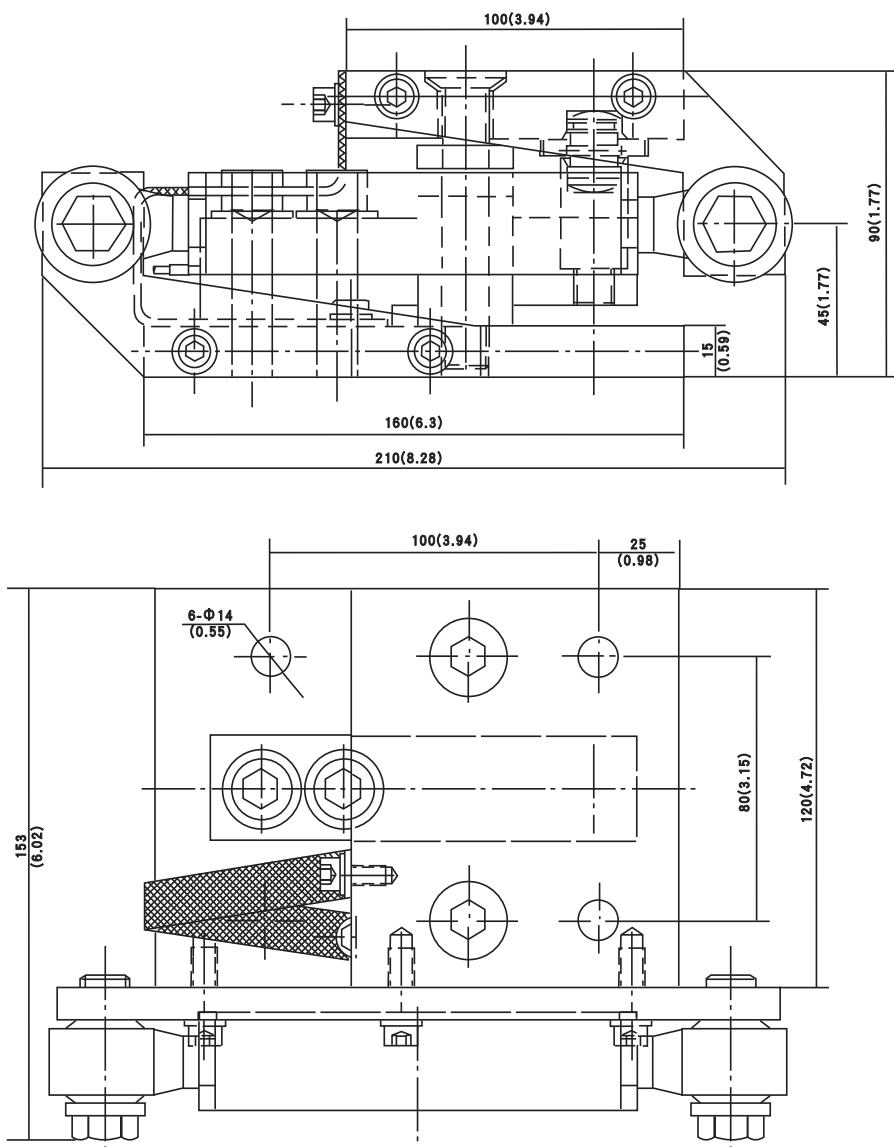
Compact construction, easy installation with horizontal locating ability, anti-reversal ability, anti-overloading ability and self-aligning ability.



Part Number	Capacity	Ship Weight	Price
BM-8-412-0.5/2T	BM8H hardware: stainless shear beam mount	15 lb	\$1,135

Stainless steel, assembled with BM8H (not included)

Outline Dimensions mm (inch)



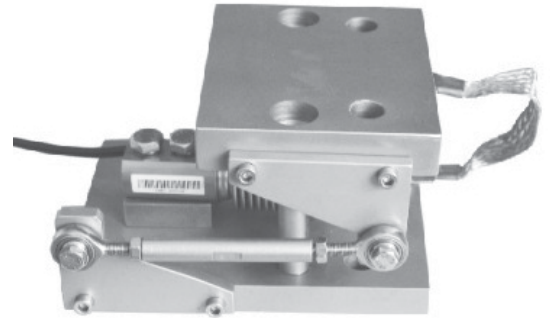


BM-11-402

Capacity
5kg-200kg
350kg-500kg

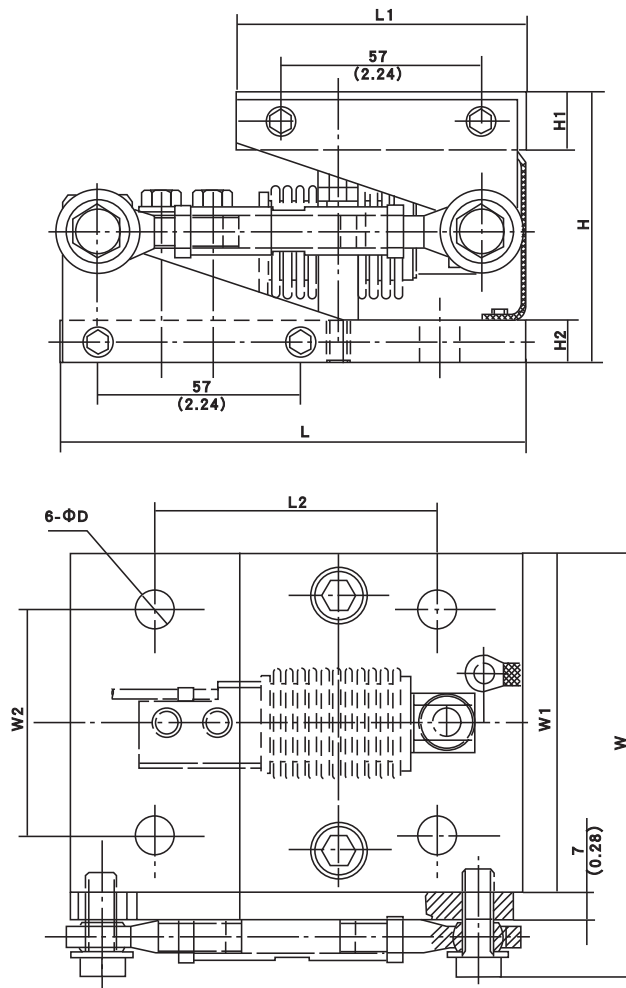
Features:

Compact construction, easy installation with anti-reversal ability, horizontal locating ability, anti-overloading ability and self-aligning ability.



Stainless steel, assembled with H9D, B9D (not included)

Outline Dimension mm (inch)									
Dimension	H	H1	H2	L	L1	L2	W	W1	Φd
Capacity									
5KG-200KG	77 (3.03)	12 (0.47)	12 (0.47)	130 (5.12)	75 (2.95)	95 (3.74)	90 (3.54)	60 (2.36)	Φ9 (0.35)
350KG-500KG	90 (3.54)	20 (0.79)	15 (0.59)	160 (5.3)	100 (3.94)	100 (3.94)	120 (4.72)	80 (3.15)	Φ14 (0.55)



Part Number	Capacity	Ship Weight	Price
BM11-402-5/0.2t	BM11, HM11 hardware type stainless style mount	9 lb	\$1,100
BM11-402-0.5t	BM11, HM11 hardware type stainless style mount	13 lb	\$1,260



HM-14-401

Capacity
10t-50t

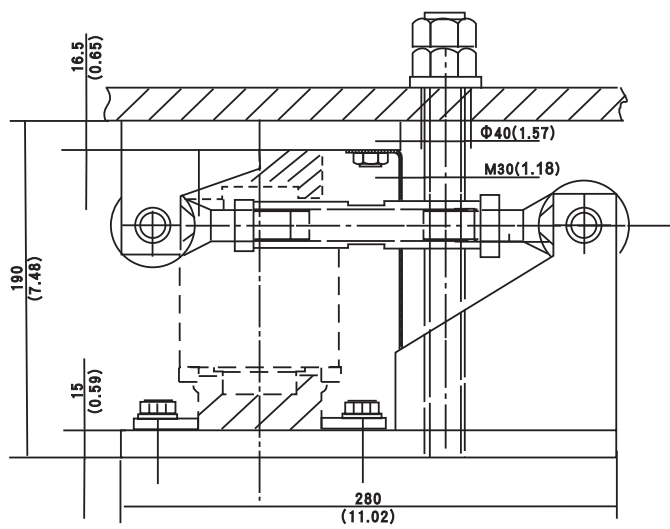
Features:
Compact construction, easy installation with anti-reversal ability, horizontal locating ability and self-aligning ability.

Specifications	
Ultimate Overload	150%F.S.
Maximum Anti-Rotation	50KN
Maximum Anti-Side Loading	50KN
Maximum Horizontal Displacement	5.4mm

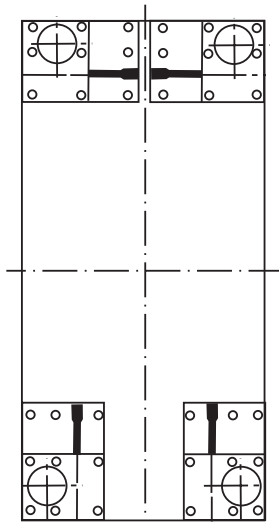
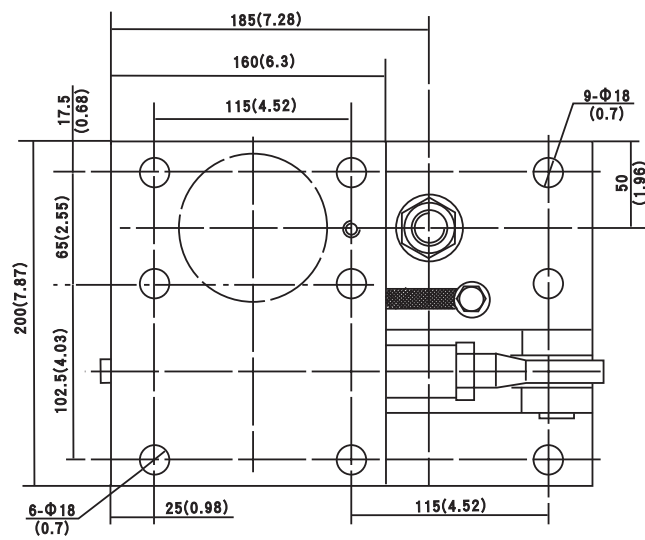
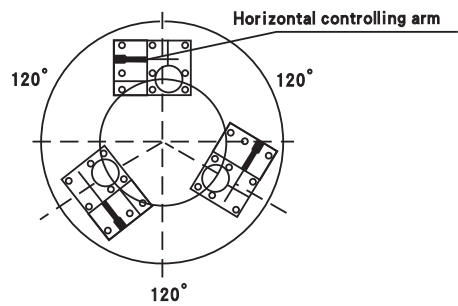


Alloy steel, assembled with BM14C, HM14C (not included)
(without top plate and bottom plate)

Outline Dimensions mm (inch)



Installation



Part Number	Capacity	Ship Weight	Price
HM14-401-10/50t	HM14C, BM14C hardware: alloy canister mount	40 lb	\$1,340



HM-14-403

Capacity
10t-50t

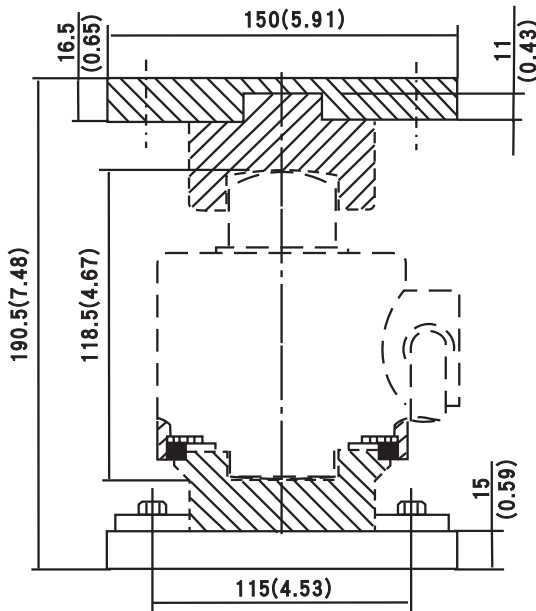
Features:

Compact construction, easy installation with self-aligning ability.

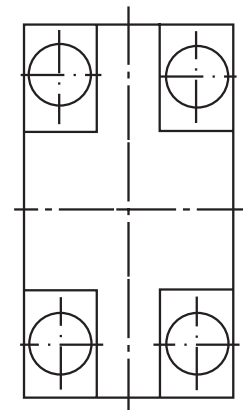
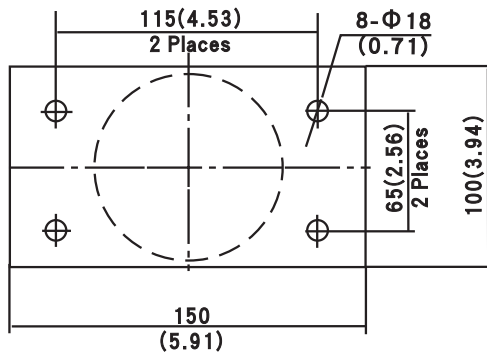
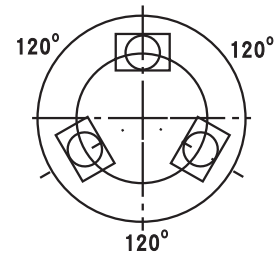


Stainless steel, assembled with H9D, B9D (not included)

Outline Dimensions mm (inch)



Installation



Part Number	Capacity	Ship Weight	Price
HM14-403-10/50t	HM14C, BM14C hardware, alloy canister mount	11 lb	\$275

HM-14-410

Capacity

10t-30t

40t-60t

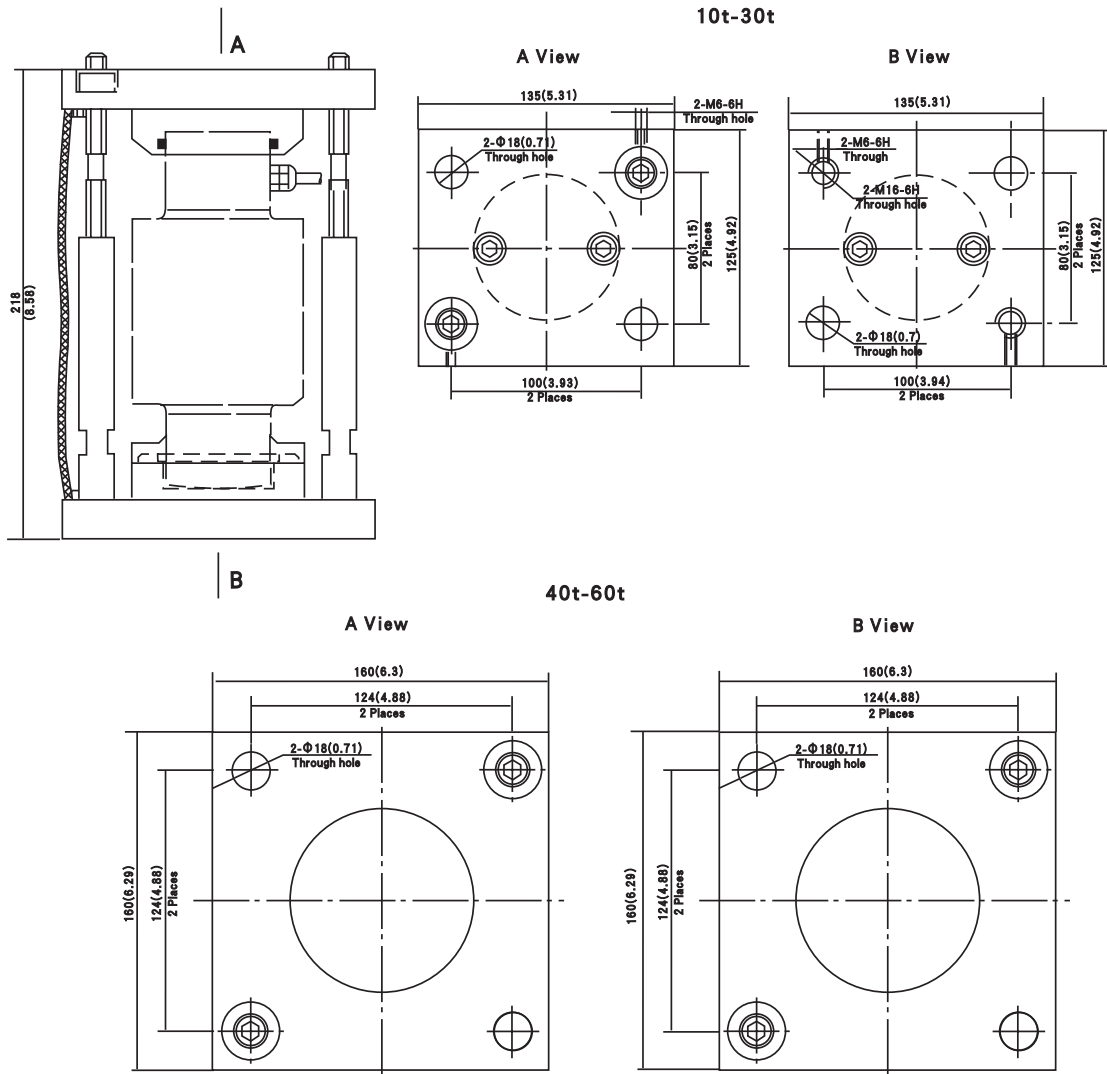
Features:

Compact construction, easy installation with anti-reversal ability and anti-overloading ability



Alloy steel, assembled with HM14H (not included)

Outline Dimensions mm (inch)



Part Number	Capacity	Ship Weight	Price
HM14-410-10/30T	HM14H hardware, alloy canister mount	-	Consult Factory
HM14-410-40/60T	HM14H hardware, alloy canister mount	-	Consult Factory



BM-14-414

Capacity

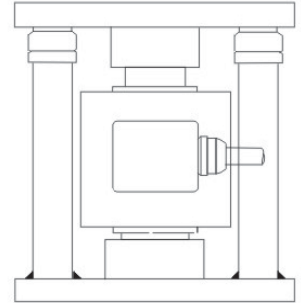
0.5t-5t

10t-50t

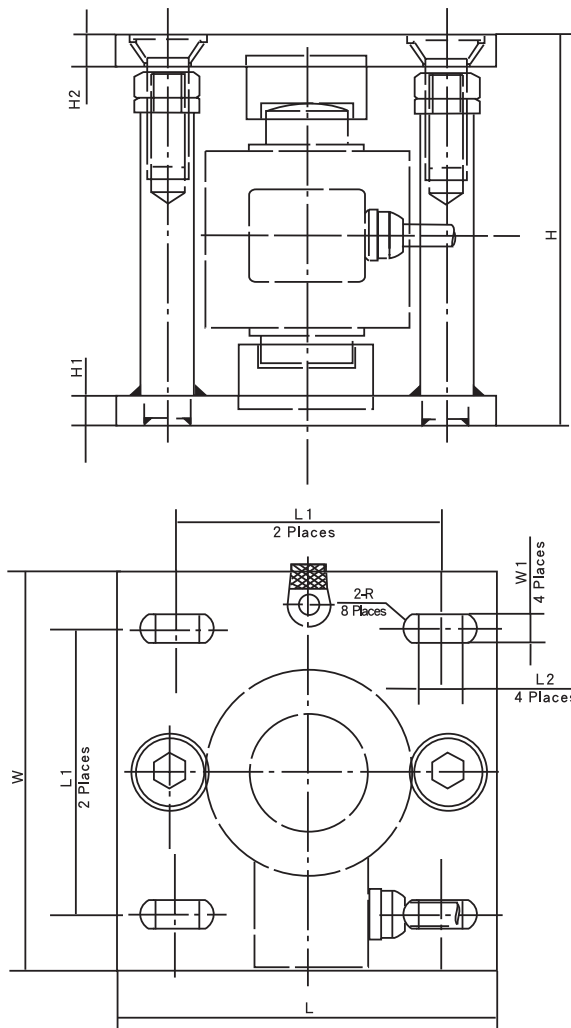
Features:

Compact construction, easy installation with anti-reversal ability, anti-overloading ability and self-aligning ability.

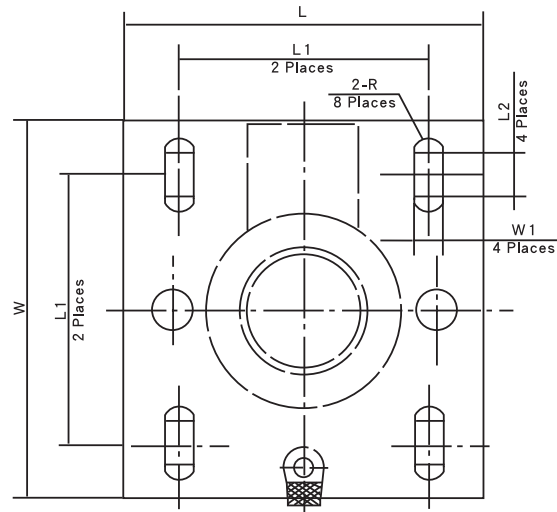
Outline Dimension mm (inch)								
Dimension	H	H1	H2	L	L1	L2	W	W1
Capacity								
0.5t-5t	170 (6.69)	12 (0.47)	14 (0.55)	165 (6.5)	115 (4.53)	20 (0.79)	175 (6.89)	14 (0.55)
10t-50t	190 (7.48)	15 (0.59)	16.5 (0.65)	180 (7.09)	120 (4.72)	18 (0.71)	180 (7.09)	18 (0.71)



Stainless steel, assembled with BM14C, HM14C (not included)



K View



Part Number	Capacity	Ship Weight	Price
BM14-414-0.5/5t	HM14C, BM14C hardware, S.S. canister mount	-	\$675
BM14-414-10/50t	HM14C, BM14C hardware, S.S. canister mount	-	\$750



HL-3-001

Capacity

- 25kg-50kg
- 100kg-150kg
- 200kg-300kg
- 500kg-750kg
- 1t-1.5t
- 2t-3t
- 5t

Features:

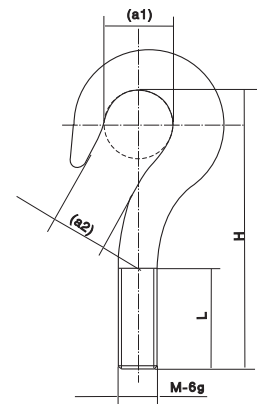
Matched with S type load cells, suitable for hybrid scales, crane scales, packaging scales and hopper scales

Outline Dimension mm (inch)						
Capacity	a1	a2	H	MxL	Hook Type	Lifting Weight
25kg-50kg	25 (0.98)	20 (0.79)	97.5 (3.84)	M8x24	Straight handle with single hook LM-006-T	0.25t
100kg-150kg	25 (0.98)	20 (0.79)	97.5 (3.84)	M10x26	Straight handle with single hook LM-006-T	0.25t
200kg-300kg	28 (0.98)	22 (0.87)	106 (4.17)	M12x28	Straight handle with single hook LM-010-T	0.4t
500kg-750kg	34 (1.34)	27 (1.06)	135.5 (5.33)	M12x28	Straight handle with single hook LM-020-T	0.8t
1t-1.5t	40 (1.57)	32 (1.26)	152.5 (6.0)	M12x28	Straight handle with single hook LM-04-T	1.6t
2t-3t	48 (1.89)	38 (1.5)	183 (7.2)	M20x1.5x35	Straight handle with single hook LM-08-T	3.2t
5t	56 (2.2)	45 (1.77)	221 (8.7)	M20x1.5x35	Straight handle with single hook LM-1.6-T	6.3t

Part Number	Capacity	Ship Weight	Price
HL-3-1-25/50KG	S type,Hardware,Hook	2 lb	\$50
HL-3-001-150KG	S type,Hardware,Hook	2 lb	\$50
HL-3-001-300KG	S type,Hardware,Hook	4.5 lb	\$60
HL-3-001-750KG	S type,Hardware,Hook	4.5 lb	\$60
HL-3-001-1.5t	S type,Hardware,Hook	2 lb	\$95
HL-3-001-2/3t	S type,Hardware,Hook	2 lb	\$125
HL-3-001-5t	S type,Hardware,Hook	4.5 lb	\$140



Alloy steel, assembled with H3, B3G, H3G, H3F, BM3



HL-3-002

Capacity

- 25kg-50kg
- 100kg-150kg
- 200kg-300kg
- 500kg-750kg
- 1t-1.5t
- 2t-3t
- 5t

Features:

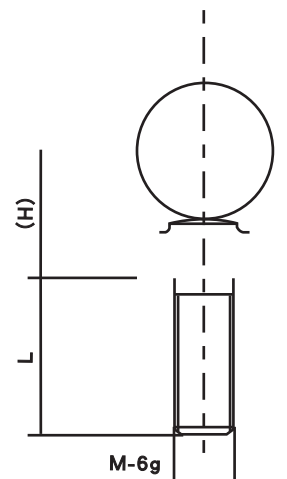
Matched with S type load cells, suitable for hybrid scales, crane scales, packaging scales and hopper scales

Outline Dimension mm (inch)				
Capacity	H	MxL	Hook Type	Lifting Weight
25kg-50kg	18 (0.71)	M8x24	Screw GB/T825-88 M8	0.16t
100kg-150kg	22 (0.87)	M10x20	Screw GB/T825-88 M10	0.25t
200kg-300kg	26 (1.02)	M12x22	Screw GB/T825-88 M12	0.4t
500kg-750kg	31 (1.22)	M12x22	Screw GB/T825-88 M16	1.0t
1t-1.5t	36 (1.42)	M12x22	Screw GB/T825-88 M20	1.6t
2t-3t	53 (2.09)	M20x1.5x35	Screw GB/T825-88 M30	4.0t
5t	63 (2.48)	M20x1.5x35	Screw GB/T825-88 M36	6.3t

Part Number	Capacity	Ship Weight	Price
HL-3-2-25/50KG	S type, hardware,eye bolt	2 lb	\$10
HL-3-002-150KG	S type, hardware,eye bolt	2 lb	\$10
HL-3-002-300KG	S type, hardware,eye bolt	2 lb	\$15
HL-3-002-750KG	S type, hardware,eye bolt	2 lb	\$20
HL-3-002-1.5t	S type, hardware,eye bolt	2 lb	\$25
HL-3-002-2/3t	S type, hardware,eye bolt	2 lb	\$90
HL-3-002-5t	S type, hardware,eye bolt	2 lb	\$115



Alloy steel, assembled with H3, B3G, H3G, H3F, BM3





HL-3-003

Capacity

25kg-50kg
100kg-150kg
200kg-300kg
500kg/1.5t
2t-5t

Features:

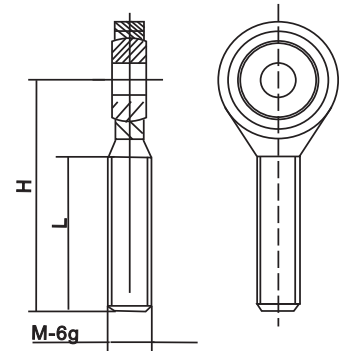
Matched with S type load cells, suitable for hybrid scales, crane scales, packaging scales, hopper scales, and other electronic weighing devices

Outline Dimension mm (inch)				
Capacity	H	MxL	Shaft Joint Bearing	Lifting Weight
25kg-50kg	42 (1.65)	M8x21	Bearing GB/T9161-2001 SA 8E	0.55t
100kg-150kg	48 (1.89)	M10x26	Bearing GB/T9161-2001 SA 10E	0.81t
200kg-300kg	54 (2.13)	M12x28	Bearing GB/T9161-2001 SA 12E	1.08t
500kg-750kg	54 (2.13)	M12x28	Bearing GB/T9161-2001 SA 12E	1.08t
1t	54 (2.13)	M12x28	Bearing GB/T9161-2001 SA 12E	1.08t
1.5t	63 (2.48)	M12x28	Bearing GB/T9161-2001 SA 20E	3.0t
2t-3t	78 (3.07)	M20x1.5x43	Bearing GB/T9161-2001 SA 20E	3.0t
5t	89 (3.5)	M20x1.5x43	Bearing GB/T9161-2001 SA 30ES	6.0t

Part Number	Capacity	Ship Weight	Price
HL3-3-25/50KG	S type, hardware swivel head	2 lb	\$45
HL-3-003-150KG	S type, hardware swivel head	2 lb	\$50
HL3-3-0.2/0.3t	S type, hardware swivel head	2 lb	\$75
HL3-3-0.5/1.5t	S type, hardware swivel head	2 lb	\$75
HL3-3-2/5t	S type, hardware swivel head	2 lb	\$115



Alloy steel, assembled with H3, B3G, H3G, H3F, BM3



HL-3-004

Capacity

25kg-50kg
100kg-150kg
200kg-300kg
500kg-1.5t
2t-5t

Features:

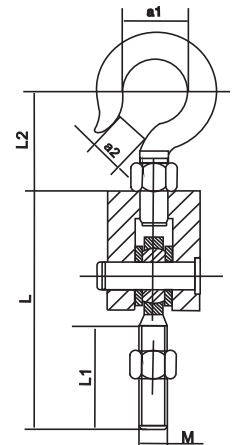
Matched with S type load cells, suitable for hybrid scales, crane scales, packaging scales, hopper scales, and other electronic weighing devices

Outline Dimension mm (inch)							
Dimension	a1	a2	L	L1	L2	M	Lifting Weight
25kg-50kg	25 (0.98)	20 (0.79)	77 (3.03)	21 (0.83)	77.5 (3.05)	M8	0.25t
100kg-150kg	25 (0.98)	20 (0.79)	83 (3.27)	26 (1.02)	80.5 (3.17)	M10	0.25t
200kg-300kg	28 (1.10)	22 (0.87)	89 (3.50)	28 (1.10)	91 (3.58)	M12	0.4t
500kg-750kg	34 (1.34)	27 (1.06)	89 (3.50)	28 (1.10)	120.5 (47.74)	M12	0.8t
1t	40 (1.57)	32 (1.26)	89 (3.50)	28 (1.10)	137.5 (5.41)	M12	1.08t
1.5t	40 (1.57)	32 (1.26)	118 (4.65)	28 (1.10)	130.5 (5.41)	M12	1.6t
2t-3t	48 (1.89)	38 (1.5)	133 (5.24)	43 (1.69)	15 (6.22)	M20x1.5	3.0t
5t	56 (2.20)	45 (1.77)	149 (5.87)	43 (1.69)	201 (7.91)	M20x1.5	6.0t

Part Number	Capacity	Ship Weight	Price
HL3-4-25/50KG	S type, hardware, mechanical hook, eyebolt	2 lb	\$175
HL-3-004-150KG	S type, hardware, mechanical hook, eyebolt	2 lb	\$175
HL3-4-0.2/0.3t	S type, hardware, mechanical hook, eyebolt	2 lb	\$175
HL3-4-0.5/1.5t	S type, hardware, mechanical hook, eyebolt	2 lb	\$185
HL3-4-2/5t	S type, hardware, mechanical hook, eyebolt	2 lb	\$245



Alloy steel, assembled with H3, B3G, H3G, H3F, BM3





HL-3-005

Capacity

- 25kg-50kg
- 100kg-150kg
- 200kg-300kg
- 500kg-750kg
- 1t
- 1.5t
- 2t-3t
- 5t

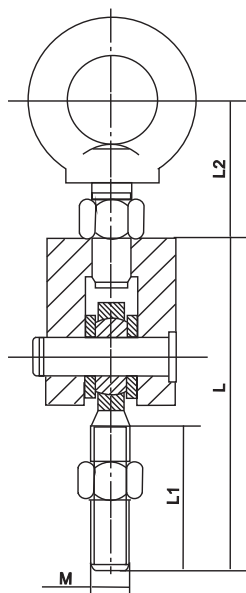
Features:

Matched with S type load cells, suitable for hybrid scales, crane scales, packaging scales and hopper scales and other weighing devices



Alloy steel, assembled with H3, B3G, H3G, H3F, BM3

Outline Dimension mm (inch)					
Dimension	L	L1	L2	M	Lifting Weight
Capacity					
25kg-50kg	77 (3.03)	21 (0.83)	22 (0.87)	M8	0.16t
100kg-150kg	83 (3.27)	26 (1.02)	27 (1.06)	M10	0.25t
200kg-300kg	89 (3.50)	28 (1.10)	33 (1.3)	M12	0.4t
500kg-750kg	89 (3.50)	28 (1.10)	38 (1.5)	M12	1.0t
1t	89 (3.50)	28 (1.10)	43 (1.7)	M12	1.08t
1.5t	118 (4.65)	28 (1.10)	42 (1.65)	M12	1.6t
2t-3t	133 (5.24)	43 (1.69)	63 (2.48)	M20x1.5	3.0t
5t	149 (5.87)	43 (1.69)	78 (3.07)	M20x1.5	6.0t



Part Number	Capacity	Ship Weight	Price
HL3-5-25/50KG	Swivel lifting accessory	2 lb	\$90
HL3-5-100/150KG	Swivel lifting accessory	2 lb	\$90
HL3-5-0.2/0.3t	Swivel lifting accessory	2 lb	\$95
HL3-5-500/750KG	Swivel lifting accessory	2 lb	\$95
HL-3-5-1T	Swivel lifting accessory	2 lb	\$105
HL-3-5-1.5T	Swivel lifting accessory	2 lb	\$105
HL-3-5-2/3T	Swivel lifting accessory	2 lb	\$105
HL-3-5-5T	Swivel lifting accessory	2 lb	\$355



HJ-8-201

Capacity

0.5-2t
2.5-5t
1/4K
5/10K
10t

Features:

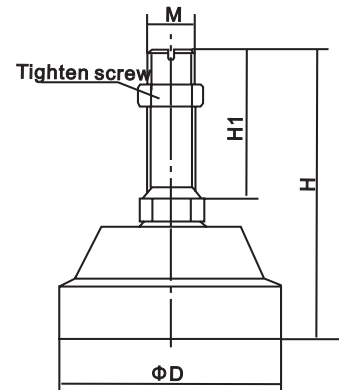
Easy installation, adjustable height, automatically centralized inside, good ability of anti-side loading. Mainly used for platform scales, floor scales and other electronic weighing devices.

Outline Dimension mm (inch)				
Dimension	D	H	H1	M
Capacity				
0.5t-2t	60 (2.36)	92 (3.62)	50 (1.97)	M12x1.75
250lb-4Klb				1/2-20UNF
2.5t-5t				M18x1.5 (only for H8C)
5Klb-10Klb	80 (3.15)	105 (4.13)	50 (1.97)	M20x2.5 (only for H8D) 3/4-16UNF
10t				M24x2
15Klb-20Klb	86 (3.39)	112 (4.41)	50 (1.97)	1-12UNF
(0.5t-2t)-M1	60 (2.36)	92 (3.62)	50 (1.97)	M16x1.5

Part Number	Capacity	Ship Weight	Price
HJ-8-201-0.5/2t	H8C, HM8C, B8D, BM8D alloy steel swivel foot with hardware	2 lb	\$65
HJ-8-201-2.5/5t	H8C, HM8C, B8D, BM8D alloy steel swivel foot with hardware	2 lb	\$70
HJ-8-201-1/4K	H8C, HM8C, B8D, BM8D alloy steel swivel foot with hardware	2 lb	\$65
HJ-8-201-5/10K	H8C, HM8C, B8D, BM8D alloy steel swivel foot with hardware	2 lb	\$65
HJ-8-201-10t	H8C, HM8C, B8D, BM8D alloy steel swivel foot with hardware	2 lb	\$135
HJ8-201-15/20K	H8C, HM8C, B8D, BM8D alloy steel swivel foot with hardware	2 lb	\$135



Alloy steel, assembled with H8, B8D



BJ-8-202

Capacity

0.5-2t
2.5-5t
250lb-5KSE
5K-10Klb

Features:

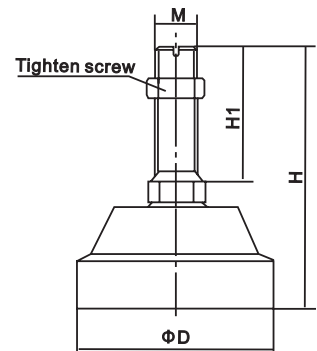
Easy installation, adjustable height, anti-corrosion, automatically centralized inside, good ability of anti-side loading. Mainly used for platform scales, floor scales and other electronic weighing devices under hazardous environments.

Outline Dimension mm (inch)				
Dimension	D	H	H1	M
Capacity				
0.5t-2t	60 (2.36)	93 (3.62)	50 (1.97)	M12x1.75
250lb-4Klb				1/2-20UNF
2.5t-5t	80 (3.15)	105 (4.13)	50 (1.97)	M20x2.5 (only for B8D)
5K-10Klb				3/4-16UNF

Part Number	Capacity	Ship Weight	Price
BJ8-202-0.5/2t	H8C, HM8C, BM8D stainless steel swivel foot with hardware	2 lb	\$85
BJ8-202-2.5/5t	H8C, HM8C, BM8D stainless steel swivel foot with hardware	2 lb	\$90
BJ8-202-250/5KS	H8C, HM8C, BM8D stainless steel swivel foot with hardware	2 lb	\$85
BJ8-202-5/10K	H8C, HM8C, BM8D stainless steel swivel foot with hardware	2 lb	\$90



Alloy steel, assembled with B8D, H8C





HJ-8-203

Capacity
0.5-2t

Features:

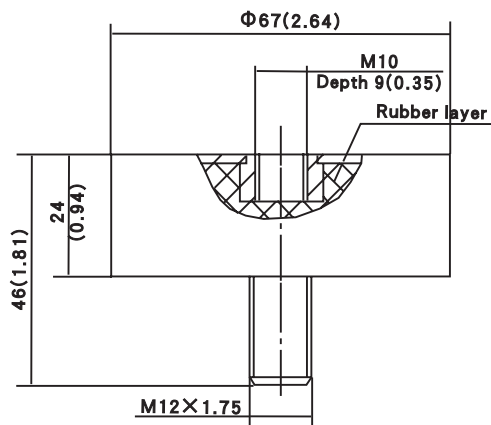
Alloy steel with rubber inside, slightly adjustable of the slant, easy installation.
Mainly used for platform scales, packaging scales, hybrid scales and other electronic weighing devices.



Alloy steel, assembled with H8C, B8D, HM8C, BM8D

Part Number	Capacity	Ship Weight	Price
HJ-8-203-0.5/2t	H8C, HM8C, B8D, BM8D alloy steel rubber foot with hardware	2 lb	\$65

Outline Dimensions mm (inch)



BJ-8-205

Capacity
0.5-2t
2.5-5t
250lb-5KSE
5/10K

Features:

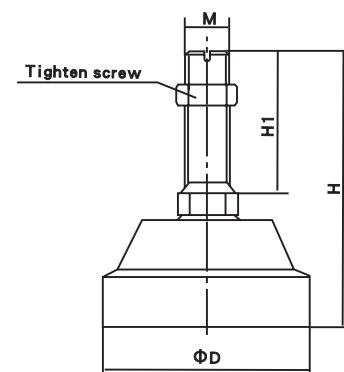
Easy installation, adjustable height, anti-corrosion, automatically centralized inside, good ability of anti-side loading. Mainly used for platform scales, floor scales and other electronic weighing devices under hazardous environments.

Outline Dimension mm (inch)				
Dimension	D	H	H1	M
Capacity				
0.5t-2t				M12x1.75
250lb-4Klb	80 (3.15)	105 (4.13)	50 (1.97)	1/2-20UNF

Part Number	Capacity	Ship Weight	Price
BJ8-205-0.5/2t	H8C, HM8C, B8D, BM8D hardware stainless feet with cup	2 lb	\$85
BJ8-205-2.5/5t	H8C, HM8C, B8D, BM8D hardware stainless feet with cup	2 lb	\$90
BJ8-205-250/5KS	H8C, HM8C, B8D, BM8D hardware stainless feet with cup	2 lb	\$85
BJ8-205-5/10K	H8C, HM8C, B8D, BM8D hardware stainless feet with cup	2 lb	\$85



Stainless steel, assembled with B8D, H8C





BJ-8-206

Capacity

0.5-2t
500lb-4K

Features:

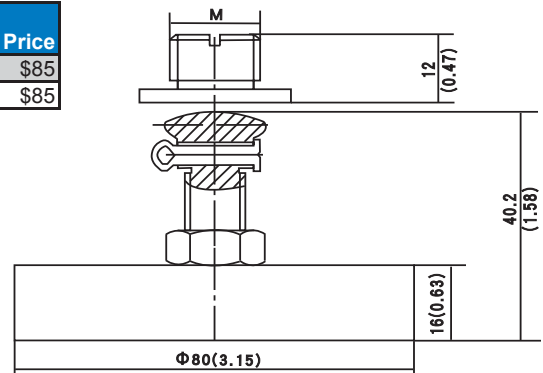
Easy installation, adjustable height, automatically centralized inside, good ability of anti-side loading. Mainly used for platform scales, floor scales and other electronic weighing devices.

Outline Dimension mm (inch)	
Capacity	Model
0.5t-2t	M12x1.75
500lb-4Klb	1/2-20UNF

Part Number	Capacity	Ship Weight	Price
BJ-8-206-2T	H8C, HM8C, B8D, BM8D hardware stainless feet with cup	2 lb	\$85
BJ-8-206-4K	H8C, HM8C, B8D, BM8D hardware stainless feet with cup	2 lb	\$85



Stainless steel, assembled with BM8H, H8H



BJ-8-207

Capacity

0.25t-2t
5t
500lb-4Klb
10K

Features:

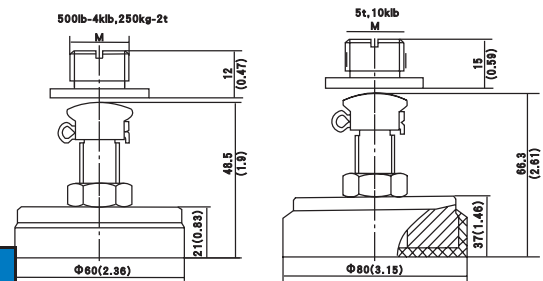
Easy installation, adjustable height, automatically centralized inside, good ability of anti-side loading. Mainly used for platform scales, floor scales and other electronic weighing devices.

Outline Dimension mm (inch)	
Capacity	Model
0.25t-2t	M12x1.75
5t	M20x2.5
500lb-4Klb	1/2-20UNF
10Klb	3/4-16UNF

Part Number	Capacity	Ship Weight	Price
BJ-8-207-2T	H8C, HM8C, BM8D hardware stainless feet with cup	2 lb	\$85
BJ-8-207-5T	H8C, HM8C, BM8D hardware stainless feet with cup	2 lb	\$145
BJ-8-207-4K	H8C, HM8C, BM8D hardware stainless feet with cup	2 lb	\$85
BJ-8-207-10K	H8C, HM8C, BM8D hardware stainless feet with cup	2 lb	\$145



Stainless steel, assembled with BM8H, H8H





HJ-8-213

Capacity
0.5-2t

Features:

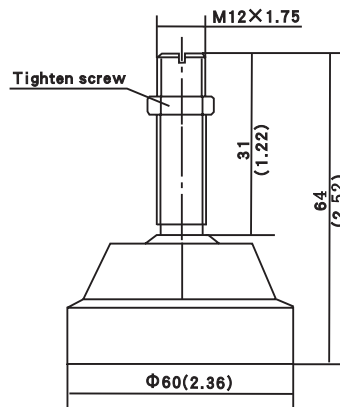
Easy installation, adjustable height, automatically centralized inside, good ability of anti-side loading. Mainly used for platform scales, floor scales and other electronic weighing devices.

Part Number	Capacity	Ship Weight	Price
HJ-8-213-0.5/2t	H8C, HM8C, B8D, BM8D alloy steel swivel foot with hardware	2 lb	\$65



Alloy steel, assembled with H8C, B8D, HM8C, BM8D

Outline Dimensions mm (inch)



BJ-8-215

Capacity
0.5-2t

Features:

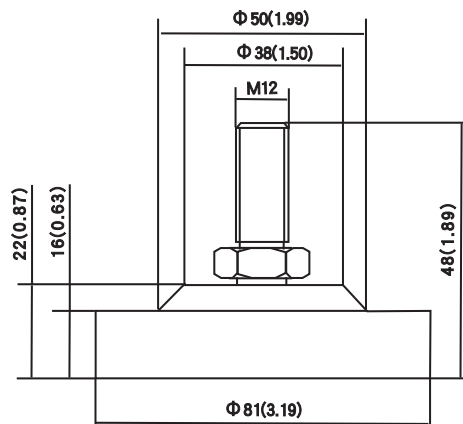
Easy installation, adjustable height, automatically centralized inside, good ability of anti-side loading. Mainly used for platform scales, floor scales and other electronic weighing devices.

Part Number	Capacity	Ship Weight	Price
BJ-8-215-0.5/2t	H8C, HM8C, B8D, BM8D stainless steel rubber foot with hardware	2 lb	\$85



Stainless steel, assembled with H8C, B8D, HM8C, BM8D

Outline Dimensions mm (inch)





HJ-8-216

Capacity
2.5t-5t

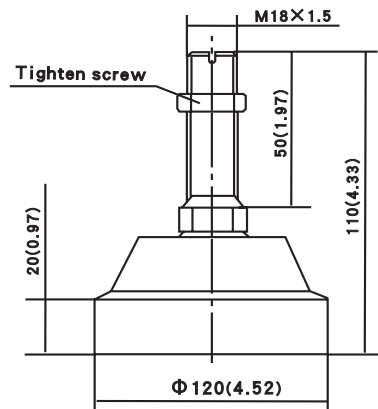
Features:
Easy installation, automatically centralized inside, good ability of anti-side loading.
Mainly used for platform scales, floor scales and other electronic weighing devices.

Part Number	Capacity	Ship Weight	Price
HJ-8-216-2.5/5T	Alloy steel assembled with H8C, B8D	2 lb	\$155



Alloy steel, assembled with H8C, B8D

Outline Dimensions mm (inch)



HJ-8-217

Capacity
0.5t-2t

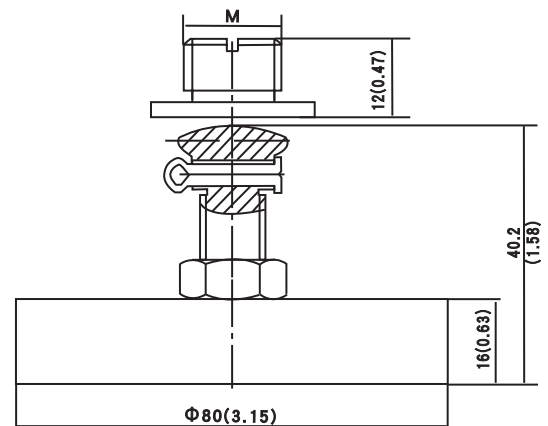
Features:
Easy installation, adjustable height, automatically centralized inside, good ability of anti-side loading. Mainly used for platform scales, floor scales and other electronic weighing devices.

Outline Dimension mm (inch)	
Capacity	Model
0.25t-2t	M12x1.75
500lb-4Klb	1/2-20UNF

Part Number	Capacity	Ship Weight	Price
HJ-8-217-0.5/2T	Assembled with BM8H, H8H	2 lb	\$65



Alloy steel, rubber supporting subassembly, assembled with BM8H, H8H





HJ-8-218

Capacity

- 0.15t-2t
- 5t
- 500lb-4Klb
- 10Klb

Features:

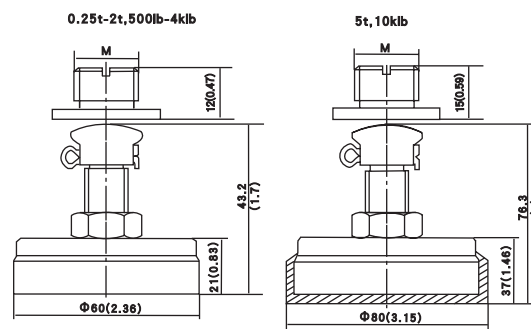
Easy installation, adjustable height, automatically centralized inside, good ability of anti-side loading. Mainly used for platform scales, floor scales and other electronic weighing devices.



Alloy steel, rubber supporting subassembly, assembled with BM8H, H8H

Outline Dimension mm (inch)	
Capacity	Model
250kg-2t	M12x1.75
5t	M20x2.5
500lb-4Klb	1/2-20UNF
10Klb	3/4-UNF

Part Number	Capacity	Ship Weight	Price
HJ8-218-0.25/2T	H8C, HM8C, B8D, BM8D alloy steel rubber foot with hardware	2 lb	\$65
HJ8-218-5T	H8C, HM8C, B8D, BM8D alloy steel rubber foot with hardware	2 lb	\$65
HJ8-218-500/4K	H8C, HM8C, B8D, BM8D alloy steel rubber foot with hardware	2 lb	\$65
HJ8-218-10K	H8C, HM8C, B8D, BM8D alloy steel rubber foot with hardware	2 lb	\$65



BJ-8-219

Capacity

- 0.5-2t

Features:

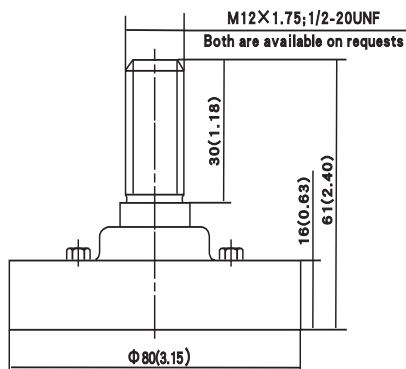
Easy installation, adjustable height, automatically centralized inside, good ability of anti-side loading. Mainly used for platform scales, floor scales and other electronic weighing devices.



Stainless steel, assembled with H8C, B8D, HM8C, BM8D

Part Number	Capacity	Ship Weight	Price
BJ-8-219-0.5/2t	Stainless steel assembled with H8C, B8D, HM8C, BM8D	2 lb	\$85

Outline Dimensions mm (inch)





BJ-8-220

Capacity
0.5t-2t

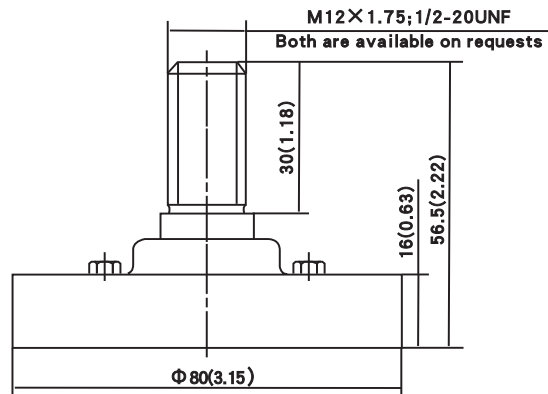
Features:
Easy installation, automatically centralized inside, good ability of anti-side loading.
Mainly used for platform scales, floor scales and other electronic weighing devices.



Stainless steel, assembled with H8C, B8D, HM8C, BM8D

Part Number	Capacity	Ship Weight	Price
BJ-8-220-0.5/2t	Stainless steel assembled with H8C, B8D, HM8C, BM8D	2 lb	\$85

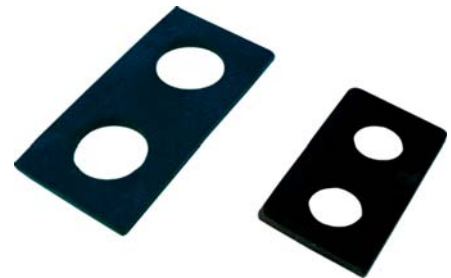
Outline Dimensions mm (inch)



HD-8-301

Capacity
0.5t-2t
2.5t-5t
1Klb-4Klb
5Klb-10Klb

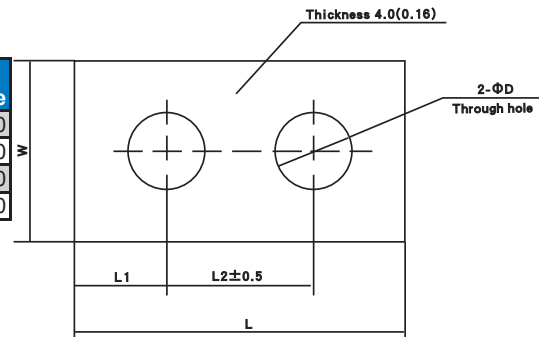
Features:
Mainly used for platform scales, floor scales and other electronic weighing devices.



Alloy steel, surface bluing treatment, assembled with B8D, H8C, HM8C, BM8D

Outline Dimension mm (inch)					
Dimension	L	L1	L2	W	D
Capacity					
0.5t-2t (1Klb-4Klb)	54 (2.13)	13 (0.51)	25.4 (1.0)	32 (1.26)	14 (0.55)
2.5t-5t (5Klb-10Klb)	76 (2.99)	19 (0.75)	38 (1.50)	38 (1.50)	20 (0.79)

Part Number	Capacity	Ship Weight	Price
HD-8-301-0.5/2t	Stainless steel used with H8C, B8D, HM8C, BM8D	2 lb	\$20
HD-8-301-2.5/5t	Stainless steel used with H8C, B8D, HM8C, BM8D	2 lb	\$20
HD-8-301-1/4K	Stainless steel used with H8C, B8D, HM8C, BM8D	2 lb	\$20
HD-8-301-5/10K	Stainless steel used with H8C, B8D, HM8C, BM8D	2 lb	\$20





HY-8-101

Capacity

- 0.15t-2t
- 5t
- 10t-15t
- 20t-25t
- 30t
- 50t

Features:

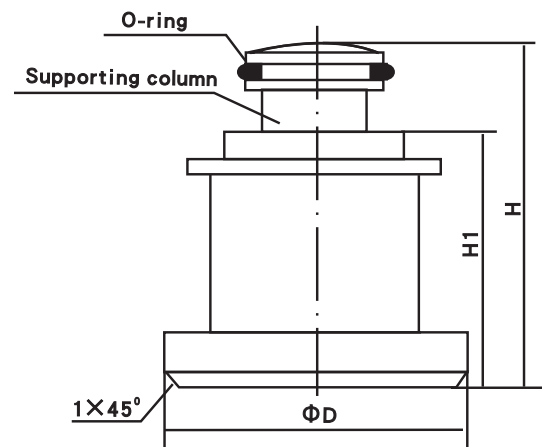
Easy installation, anti-corrosion, non-downable structure, good self-aligning ability. Mainly used for truck scales, platform scales and other electronic weighing devices.

Outline Dimension mm (inch)			
Dimension	D	H	H1
Capacity			
0.5t-3t	35 (1.38)	44.9 (1.77)	24.9 (0.98)
5t	42 (1.65)	56.7 (2.23)	34.7 (1.37)
10t-15t	57 (2.24)	80.7 (3.18)	66.7 (2.63)
20t-25t	70 (2.76)	85 (3.35)	67 (2.64)
30t	70 (2.76)	91 (3.58)	70 (2.76)
50t	85 (3.35)	102 (4.04)	82 (3.23)

Part Number	Capacity	Ship Weight	Price
HY-8-101-0.5/3t	H8, HM8 hardware, single column or rocker column case	2 lb	\$75
HY-8-101-5t	H8, HM8 hardware, single column or rocker column case	2 lb	\$80
HY-8-101-10/15t	H8, HM8 hardware, single column or rocker column case	2 lb	\$110
HY-8-101-20/25t	H8, HM8 hardware, single column or rocker column case	2 lb	\$115
HY-8-101-30t	H8, HM8 hardware, single column or rocker column case	2 lb	Consult Factory
HY-8-101-50t	H8, HM8 hardware, single column or rocker column case	2 lb	Consult Factory



Alloy steel, assembled with H8, HM8



HY-8-102

Capacity

- 0.5-2t
- 2.5t-5t

Features:

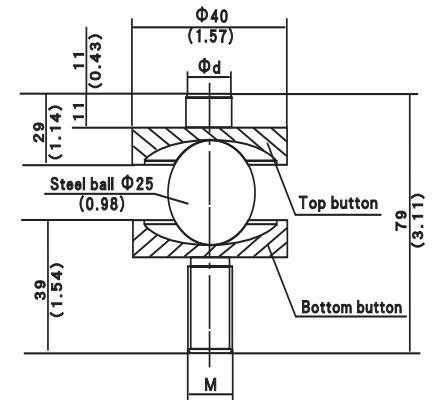
Easy installation, automatically centralized with steel ball, good self-aligning ability. Mainly used for platform scales and other electronic weighing devices.

Outline Dimension mm (inch)		
Dimension	d	M
Capacity		
0.5t-2t	12 (0.47)	M12x1.75
1k-4kSE		
2.5t-5t	18 (0.71)	M18x1.5
5Klb-10Klb		

Part Number	Capacity	Ship Weight	Price
HY-8-102-0.5/2t	H8C, B8D, HM8C, B8D, BM8D alloy ball and cup assembly	2 lb	\$65
HY-8-102-2.5/5t	H8C, B8D, HM8C, B8D, BM8D alloy ball and cup assembly	2 lb	\$65



Stainless steel, assembled with H8C, B8D, HM8C, BM8D





BY-8-104

Capacity

0.5t-2t

2.5t-5t

Features:

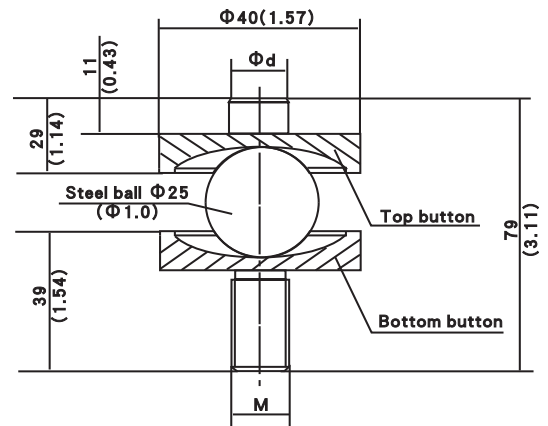
Easy installation, good self-aligning ability, automatically centralized with steel ball.
Stainless steel construction, anti-corrosion, can be used under hazardous environments.
Mainly used for platform scales and other electronic weighing devices.

Outline Dimension mm (inch)		
Dimension	L	L1
Capacity		
0.5t-2t	12 (0.47)	M12x1.75 1/2-20UNF
2.5t-5t	20 (0.79)	M20x2.5 3/4-16UNF

Part Number	Capacity	Ship Weight	Price
BY-8-104-0.5/2t	H8C, HM8C, B8D, BM8D hardware alloy ball and cup assembly	2 lb	\$85
BY-8-104-2.5/5t	Alloy steel used with H8C, B8D, HM8C, BM8D	2 lb	\$90



Stainless steel, assembled with H8C, B8D, HM8C, BM8D



BY-8-106

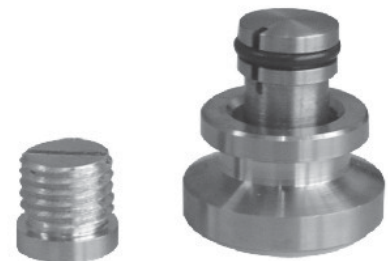
Capacity

0.5t-2t

Features:

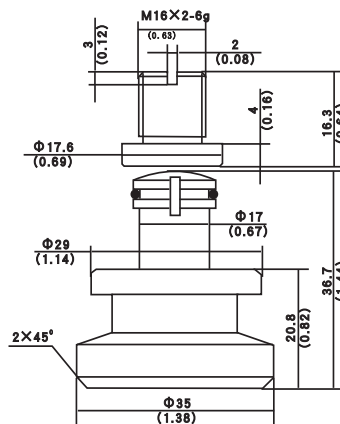
Easy installation, adjustable height, automatically centralized inside. Stainless steel construction, anti-corrosion, can be used under hazardous environments. Mainly used for platform scales and other electronic weighing devices in hazardous environments.

Part Number	Capacity	Ship Weight	Price
BY-8-106-0.5/2T	H8C, HM8C, B8D, BM8D hardware alloy ball and cup assembly	2 lb	\$90



Stainless steel, assembled with H8C-W2

Outline Dimensions mm (inch)



BY-14-101

Capacity

10t-5t
40t-60t

Features:

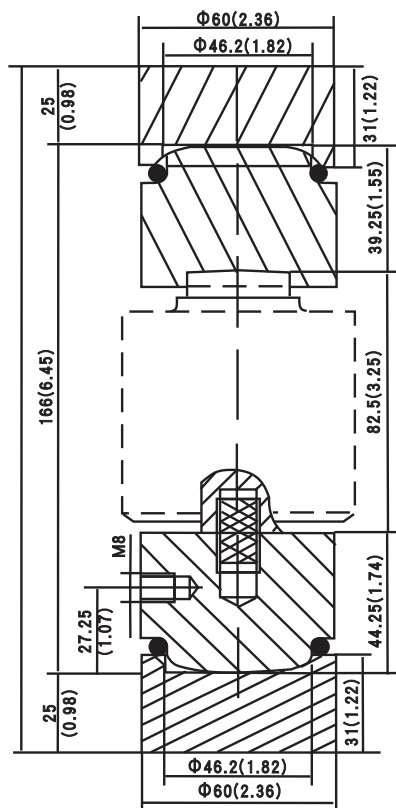
Easy installation, good self-aligning ability, anti-reversal ability. Stainless steel construction, anti-corrosion, can be used in hazardous environments. Mainly used for platform scales, automobile testing facilities, electronic truck scales and other electronic weighing devices.



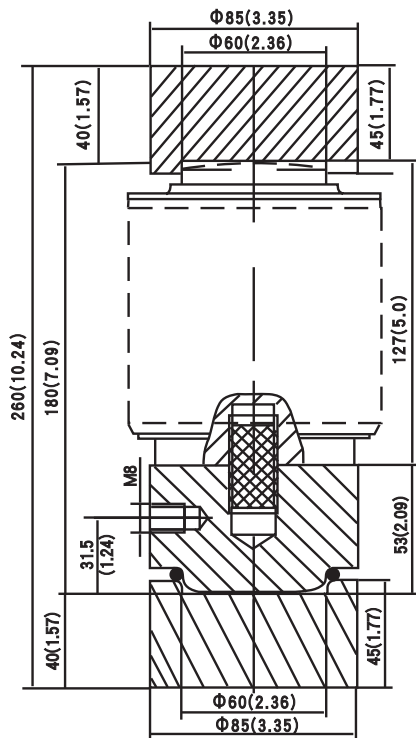
Stainless steel, assembled with BM14A.
M8 screw hole is for anti-reversal occasion.

Outline Dimensions mm (inch)

10t-25t, 10klb-50klb



40t-60t, 100klb



Part Number	Capacity	Ship Weight	Price
BY14-101-10/25T	H8, HM8C , B8D, BM8D hardware alloy ball and cup assembly	7 lb	\$215
BY14-101-40/60t	BM14A hardware button-button stainless canister mount	9 lb	\$330



BY-14-102

Capacity

10t-15t
20t-40t
50t-60t
100t

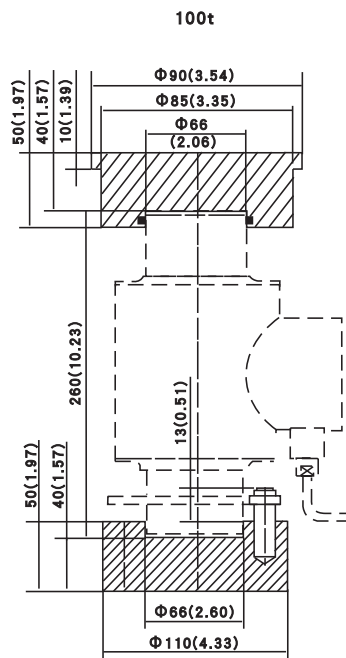
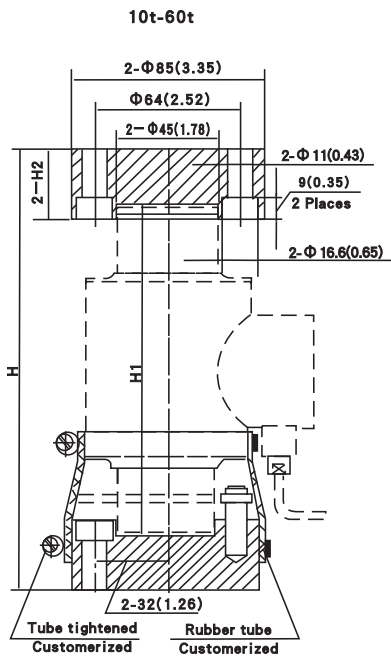
Features:

Easy installation, good self-aligning ability, anti-reversal ability. Stainless steel construction, anti-corrosion, can be used under hazardous environments. Mainly used for platform scales, automobile testing facilities, electronic truck scales and other electronic weighing devices.



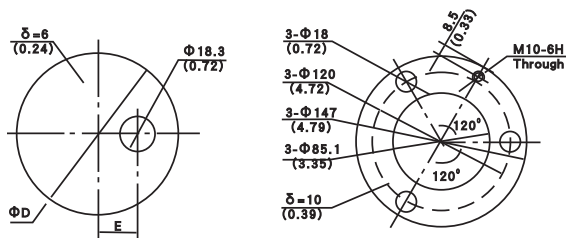
Stainless steel, assembled with BM14K (not included)
Locating pin on the bottom plate is for anti-rotation occasion.

Outline Dimension mm (inch)					
Dimension	H	H1	H2	D	E
Capacity					
10t, 15t	160 (6.3)	130 (5.12)	22 (0.87)	80 (3.15)	18.9 (0.74)
20t-40t	200 (7.87)	150 (5.91)	32 (1.26)	80 (3.15)	18.9 (0.74)
50t, 60t	260 (10.24)	210 (8.27)	32 (1.26)	80 (3.15)	18.9 (0.74)
100t	see pictures	see pictures	see pictures	55 (2.17)	14 (0.55)



The locating circle can be offered on requests.

Eccentric washer, Φ165(6.5) Customized



Part Number	Capacity	Ship Weight	Price
BY14-102-10/15t	BM14K hardware button - button stainless canister mount assembly	4 lb	\$190
BY14-102-20/40t	BM14K hardware button - button stainless canister mount assembly	7 lb	\$210
BY14-102-50/60t	BM14K hardware button - button stainless canister mount assembly	9 lb	\$210
BY14-102-100t	BM14K hardware button - button stainless canister mount assembly	13 lb	\$235

BY-14-103

Capacity

10t-30t
40t, 50t

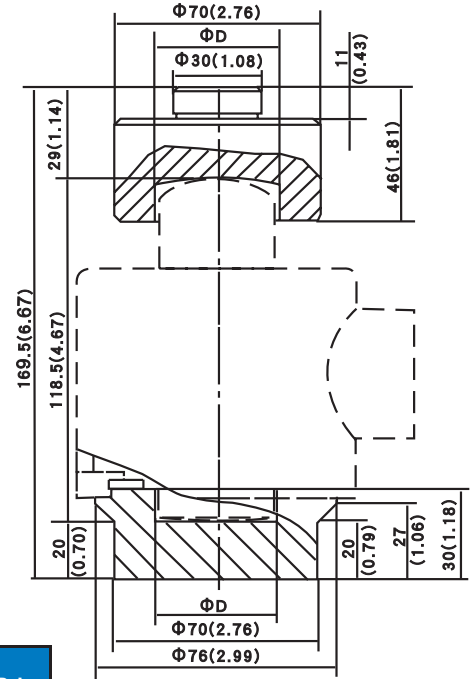
Features:

Easy installation, good self-aligning ability, anti-reversal ability. Stainless steel construction, anti-corrosion, can be used under hazardous environments. Mainly used for platform scales, automobile testing facilities, electronic truck scales and other electronic weighing devices.



Stainless steel, assembled with BM14C (not included)

Outline Dimensions mm (inch)



Part Number	Capacity	Ship Weight	Price
BY14-103-10/30t	BM14K hardware: button stainless canister mount assembly	4 lb	\$190
BY14-103-10/50t	HM14C, BM14C hardware: button stainless canister assembly	4 lb	\$190

HY-14-104

Capacity

10t-50t

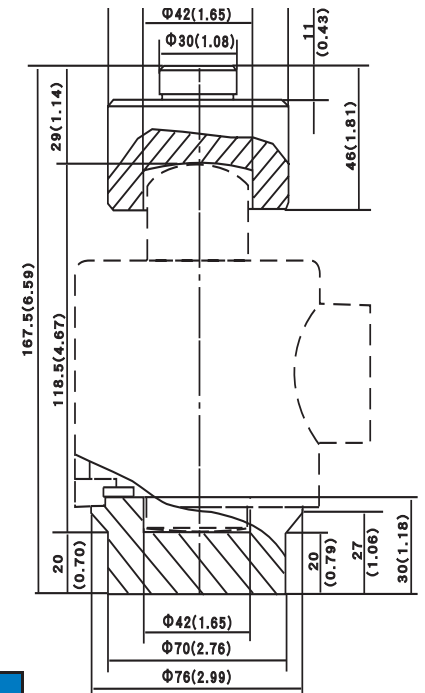
Features:

Easy installation, good self-aligning ability, anti-reversal ability. Mainly used for platform scales, automobile testing facilities, electronic truck scales and other electronic weighing devices.



Alloy steel, assembled with BM14C, HM14C (not included)

Outline Dimensions mm (inch)



Part Number	Capacity	Ship Weight	Price
HY14-104-10/50t	HM14C, BM14C hardware: button stainless canister assembly	4 lb	\$130



BY-14-105

Capacity
10t-50t

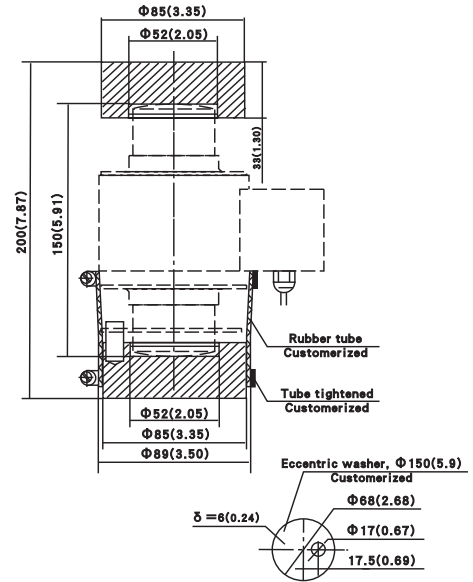
Features:

Easy installation, good self-aligning ability, anti-reversal ability. Stainless steel construction, anti-corrosion, can be used in hazardous environments. Mainly used for platform scales, automobile testing facilities, electronic truck scales and other electronic weighing devices.



Stainless steel, assembled with BM14G (not included)

Outline Dimensions mm (inch)



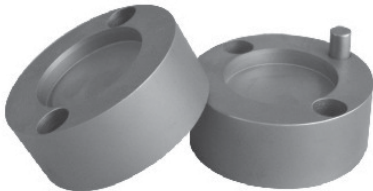
Part Number	Capacity	Ship Weight	Price
BY14-105-10/50t	HM14C, BM14C hardware: button stainless canister assembly	7 lb	\$140

BY-14-106

Capacity
0.5t-2t

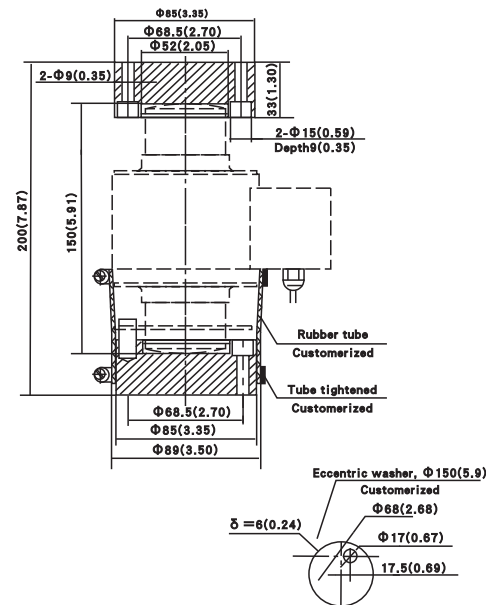
Features:

Easy installation, adjustable height, automatically centralized inside. Stainless steel construction, anti-corrosion, can be used in hazardous environments. Mainly used for platform scales and other electronic weighing devices under hazardous environments.



Stainless steel, assembled with BM14G (not included)

Outline Dimensions mm (inch)



Part Number	Capacity	Ship Weight	Price
BY14-106-10/50t	Stainless steel used with BM14G	7 lb	\$155

BY-14-108

Capacity
10t-50t

Features:

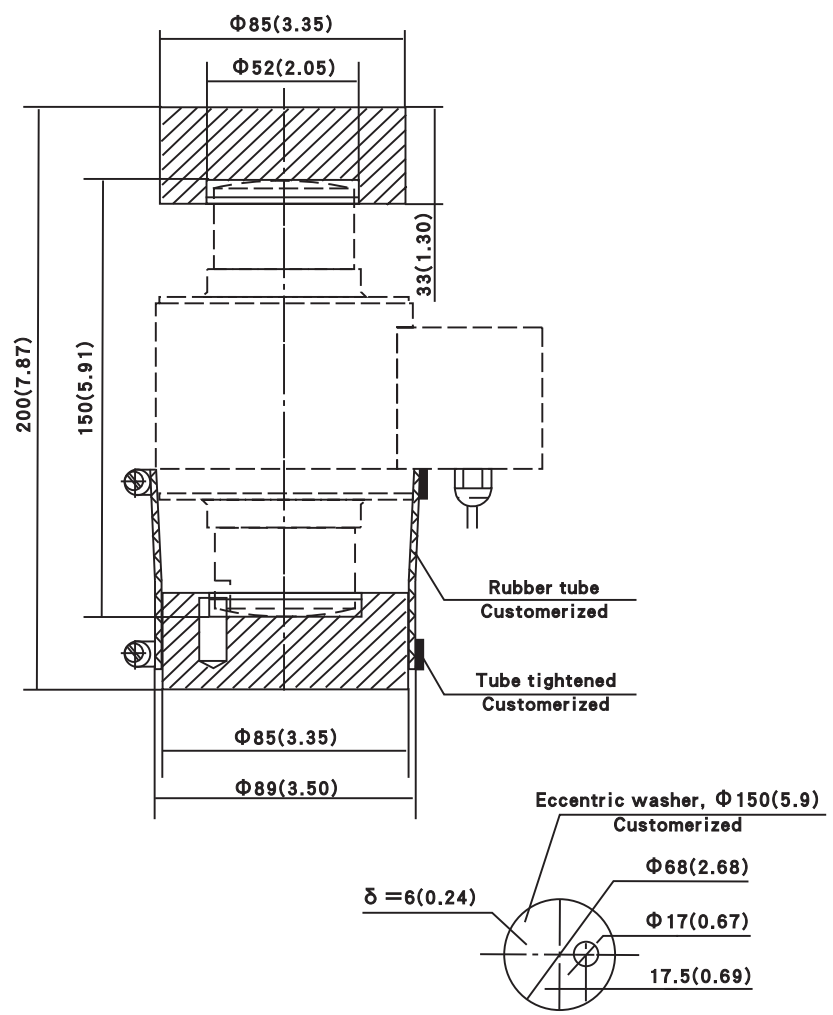
Easy installation, good self-aligning ability, anti-reversal ability. Stainless steel construction, anti-corrosion, can be used in hazardous environments. Mainly used for platform scales, automobile testing facilities, electronic truck scales and other electronic weighing devices.



Part Number	Capacity	Ship Weight	Price
BY14-108-10/50t	Stainless steel used with BM14G	7 lb	\$115

Stainless steel, assembled with BM14G (not included)

Outline Dimensions mm (inch)





BY-14-109

Capacity

10t, 15t
20t-40t
50t, 60t
100t

Features:

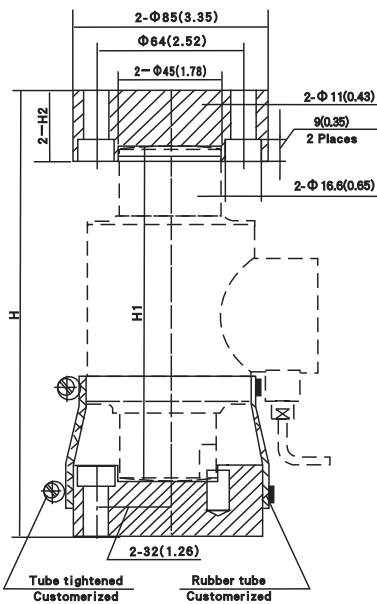
Compact construction, easy installation with anti-reversal ability, horizontal locating ability and self-aligning ability.



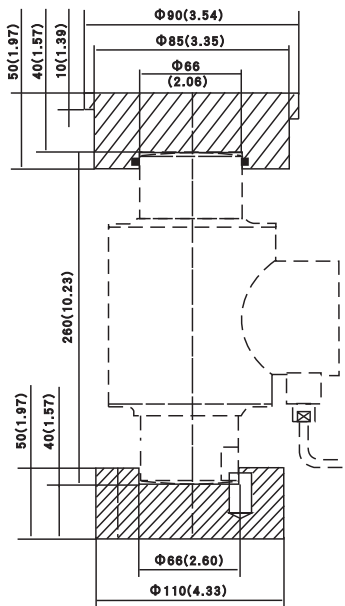
Stainless steel, assembled with BM14K (not included)
Locating pin on the bottom plate is anti-rotation occasion

Outline Dimension mm (inch)					
Dimension	H	H1	H2	D	E
Capacity					
10t, 15t	160 (6.3)	130 (5.12)	22 (0.87)	80 (3.15)	18.9 (0.74)
20t-40t	200 (7.87)	150 (5.91)	32 (1.26)	80 (3.15)	18.9 (0.74)
50t, 60t	260 (10.24)	210 (8.27)	32 (1.26)	80 (3.15)	18.9 (0.74)
100t	see pictures	see pictures	see pictures	55 (2.17)	14 (0.55)

10t-60t

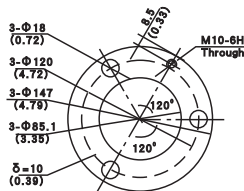
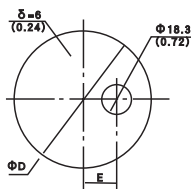


100t



Locating circle can be offered on requests.

Eccentric washer, Φ165(6.5)
Customized



Part Number	Capacity	Ship Weight	Price
BY14-109-01-15t	Stainless steel used with BM14K	4 lb	Consult Factory
BY14-109-01-40t	Stainless steel used with BM14K	4 lb	Consult Factory
BY14-109-01-60t	Stainless steel used with BM14K	4 lb	Consult Factory
BY14-109-1-100t	Stainless steel used with BM14K	4 lb	Consult Factory



BY-14-117

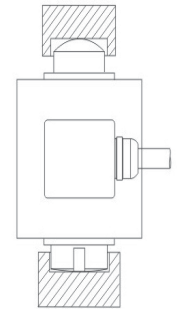
Capacity

0.5t-5t
10t-50t

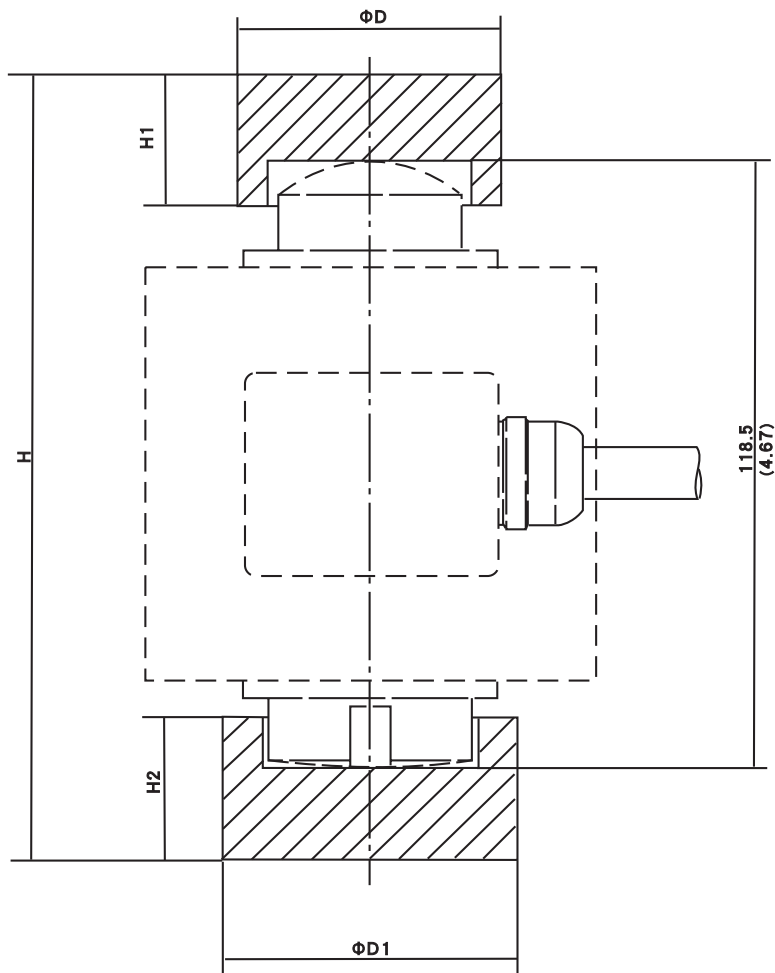
Features:

With slope stopping ability and anti-rotation construction

Outline Dimension mm (inch)					
Dimension	D	D1	H	H1	H2
Capacity					
0.5t-5t	52 (2.05)	58 (2.28)	154.5 (6.08)	30 (1.18)	28 (1.1)
10t-50t	68 (2.68)	68 (2.68)	168.5 (6.63)	38 (1.50)	35 (1.38)



Stainless steel, assembled with BM14C, HM1C (not included)



Part Number	Capacity	Ship Weight	Price
BY14-117-0.5/5t	Stainless steel used with BM14C, HM14C	4 lb	\$140
BY14-117-10/50t	Stainless steel used with BM14C, HM14C	7 lb	\$155



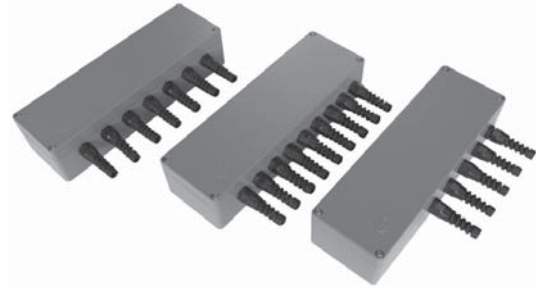
JB01

Features:

- Cast aluminum, plastic-sprayed
- Easy to assemble and calibrate, high reliability
- Fully encapsulated, water-proof and moisture proof
- Sensitivity matched adjusting methods
- Operating temperature: -40°C~+85°C

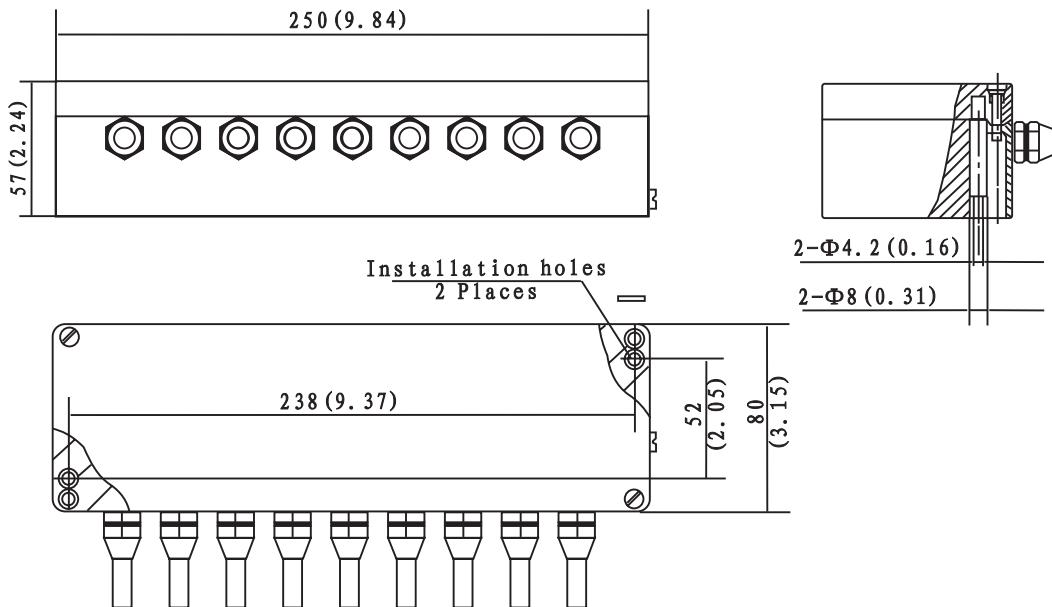
Description:

- Specially designed for scales
- This model are available to connect 2 to 8 load cells with 4-wire or 6-wire cable on different requests



Optional Table	
Part Number	Channels
JB01-2	2
JB01-3	3
JB01-4	4
JB01-6	6
JB01-8	8

Outline Dimensions mm (inch)



Part Number	Capacity	Ship Weight	Price
JB01-2	2 channel junction boxes plastic	2 lb	\$165
JB01-3	3 channel junction boxes plastic	2 lb	\$165
JB01-4	4 channel junction boxes plastic	2 lb	\$165
JB01-6	6 channel junction boxes plastic	2 lb	\$165
JB01-8	8 channel junction boxes plastic	2 lb	\$165

JB02

Features:

- Cast aluminum, plastic-sprayed
- Easy to assemble and calibrate, high reliability
- Fully encapsulated, water-proof and moisture proof
- Sensitivity matched adjusting methods
- Operating temperature: -40°C~+85°C

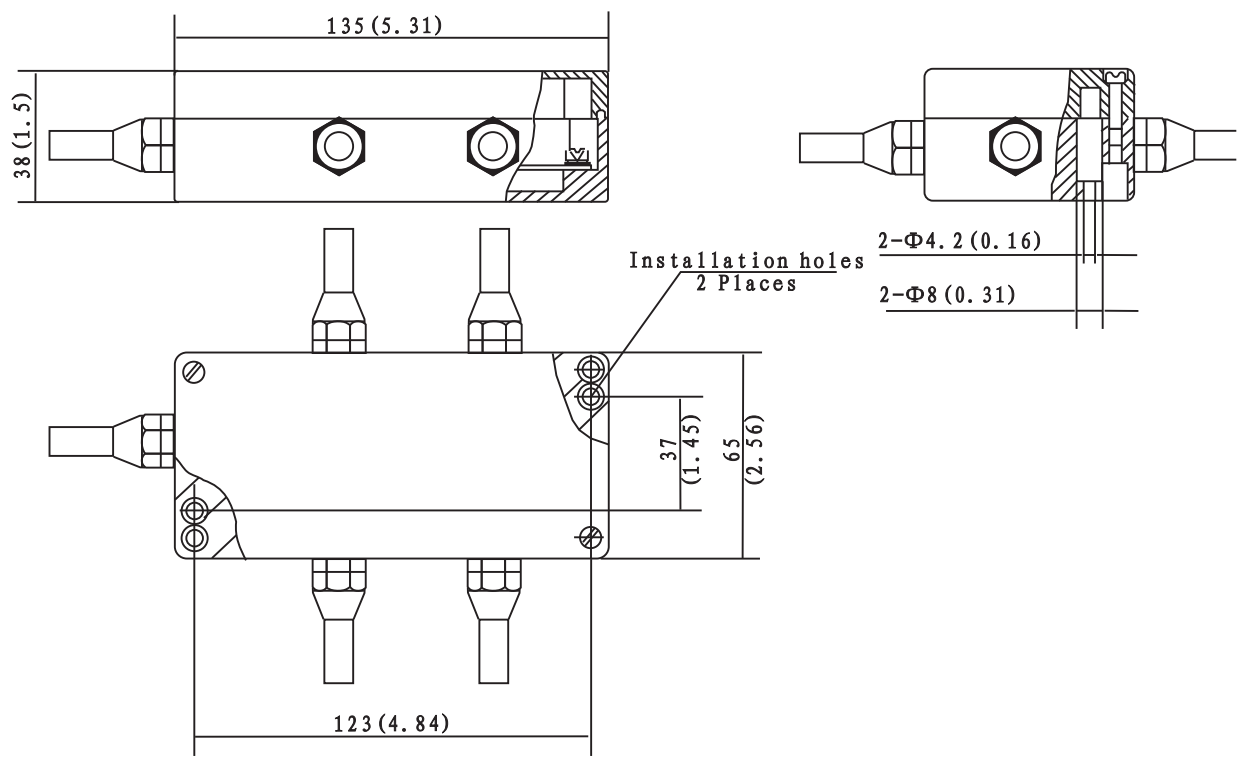
Description:

- Specially designed for scales
- This model are available to connect 2 to 4 load cells with 4-wire or 6-wire cable on different requests



Optional Table	
Part Number	Channels
JB02-2	2
JB02-3	3
JB02-4	4

Outline Dimensions mm (inch)



Part Number	Capacity	Ship Weight	Price
JB02-2	2 channel junction boxes aluminum	2 lb	\$140
JB02-3	3 channel junction boxes aluminum	2 lb	\$140
JB02-4	4 channel junction boxes aluminum	2 lb	\$140



JB05A

Features:

- Cast aluminum, plastic-sprayed
- Easy to assemble and calibrate, high reliability
- Fully encapsulated, water-proof and moisture proof and lightning protected.
- Sensitivity matched adjusting methods
- Surge protection
- Operating temperature: -40°C~+85°C

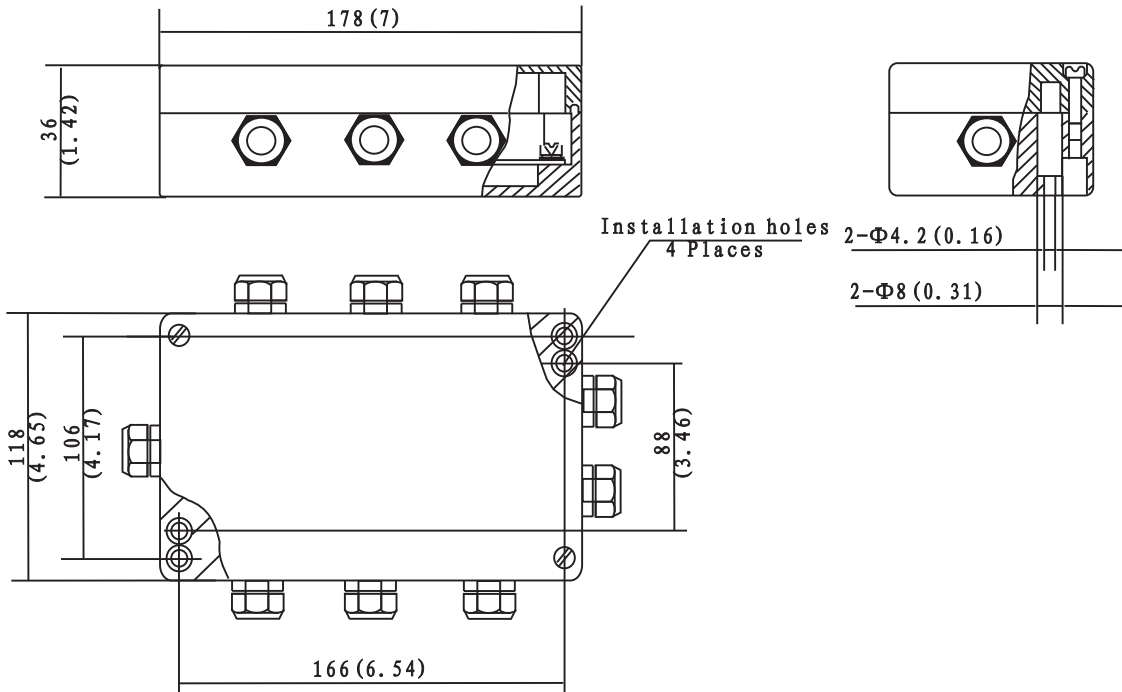
Description:

- Specially designed for scales
- This model are available to connect 4 to 8 load cells with 4-wire cable on different requests



Optional Table	
Part Number	Channels
JB05A-4	2
JB05A-6	3
JB05A-8	4

Outline Dimensions mm (inch)



Part Number	Capacity	Ship Weight	Price
JB05A-4	2 channel junction boxes aluminum	2 lb	\$145
JB05A-5	3 channel junction boxes aluminum	2 lb	\$160
JB05A-6	4 channel junction boxes aluminum	2 lb	\$175

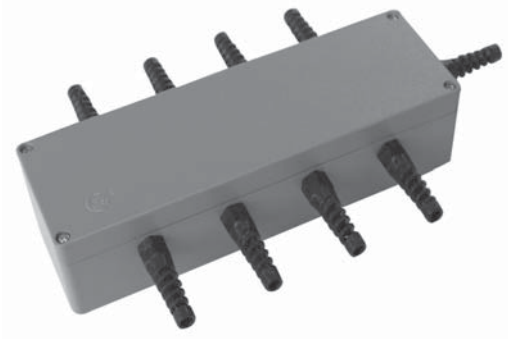
JB06

Features:

- Cast aluminum, plastic-sprayed
- Easy to assemble and calibrate, high reliability
- Fully encapsulated, water-proof and moisture proof and lightning protected
- Sensitivity matched adjusting methods
- Surge protection
- Operating temperature: -40°C~+85°C

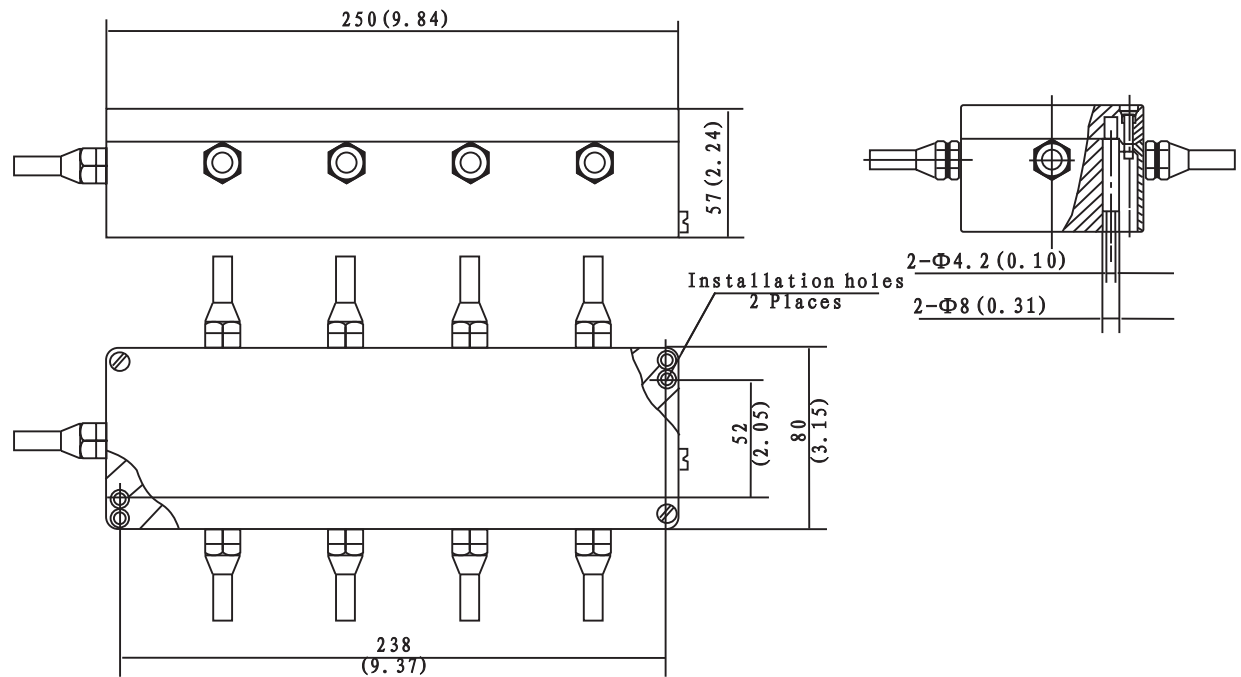
Description:

- Specially designed for scales
- This model are available to connect 2 to 8 load cells with 4-wire or 6-wire cable on different requests



Optional Table	
Part Number	Channels
JB06-2	2
JB06-3	3
JB06-4	4
JB06-6	6
JB06-8	8

Outline Dimensions mm (inch)



Part Number	Capacity	Ship Weight	Price
JB06-2	2 channel junction boxes aluminum	2 lb	\$205
JB06-3	3 channel junction boxes aluminum	2 lb	\$205
JB06-4	4 channel junction boxes aluminum	2 lb	\$215
JB06-6	6 channel junction boxes aluminum	2 lb	\$225
JB06-8	8 channel junction boxes aluminum	2 lb	\$230



JB07

Features:

- Cast aluminum, plastic-sprayed
- Easy to assemble and calibrate, high reliability
- Fully encapsulated, water-proof and moisture proof and lightning protected
- Surge protection
- Sensitivity matched adjusting methods
- Operating temperature: -40°C~+85°C

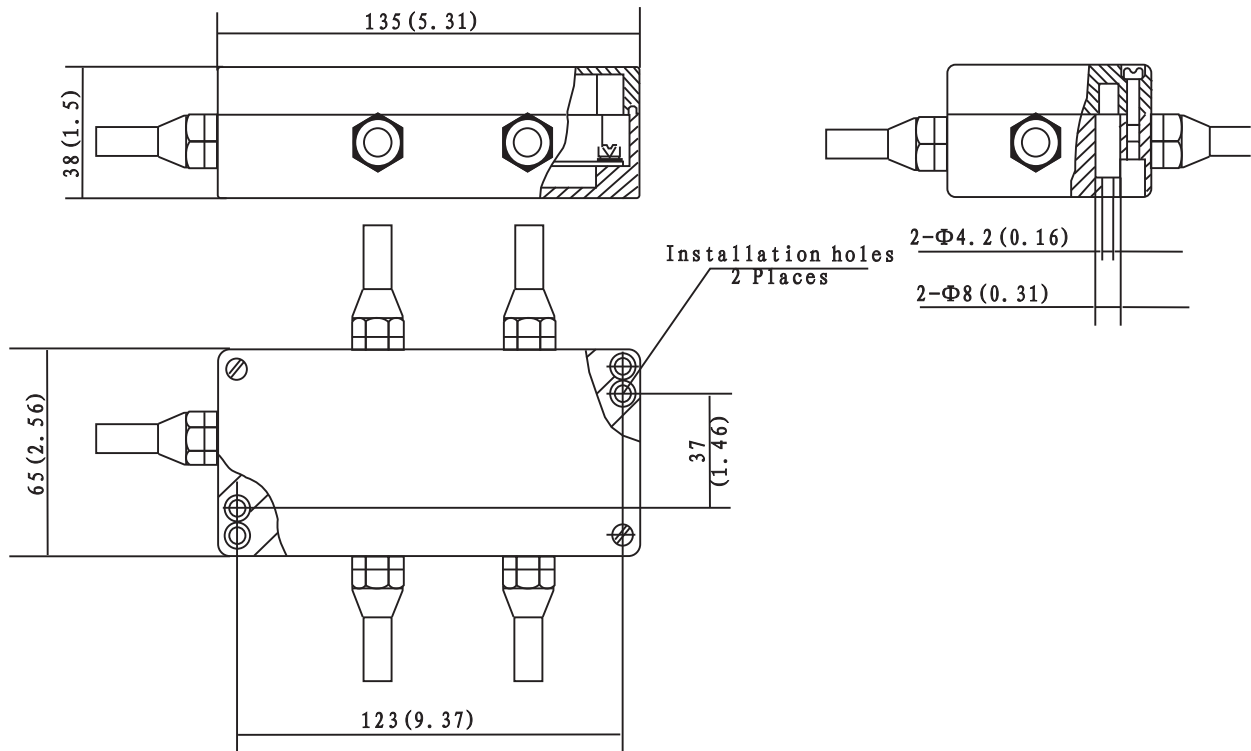
Description:

- Specially designed for scales
- This model are available to connect 2 to 4 load cells with 4-wire or 6-wire cable on different requests



Optional Table	
Part Number	Channels
JB07-2	2
JB07-3	3
JB07-4	4

Outline Dimensions mm (inch)



Part Number	Capacity	Ship Weight	Price
JB07-2	2 channel junction boxes aluminum	2 lb	\$175
JB07-3	3 channel junction boxes aluminum	2 lb	\$175
JB07-4	4 channel junction boxes aluminum	2 lb	\$175



FD-3

Features:

- Adjustable stable voltage
- Voltage counter-connection protection
- Zero adjustable resistors can be outer connected
- Terminal tabs connection
- Protection class: IP65

Specifications (Current Output):

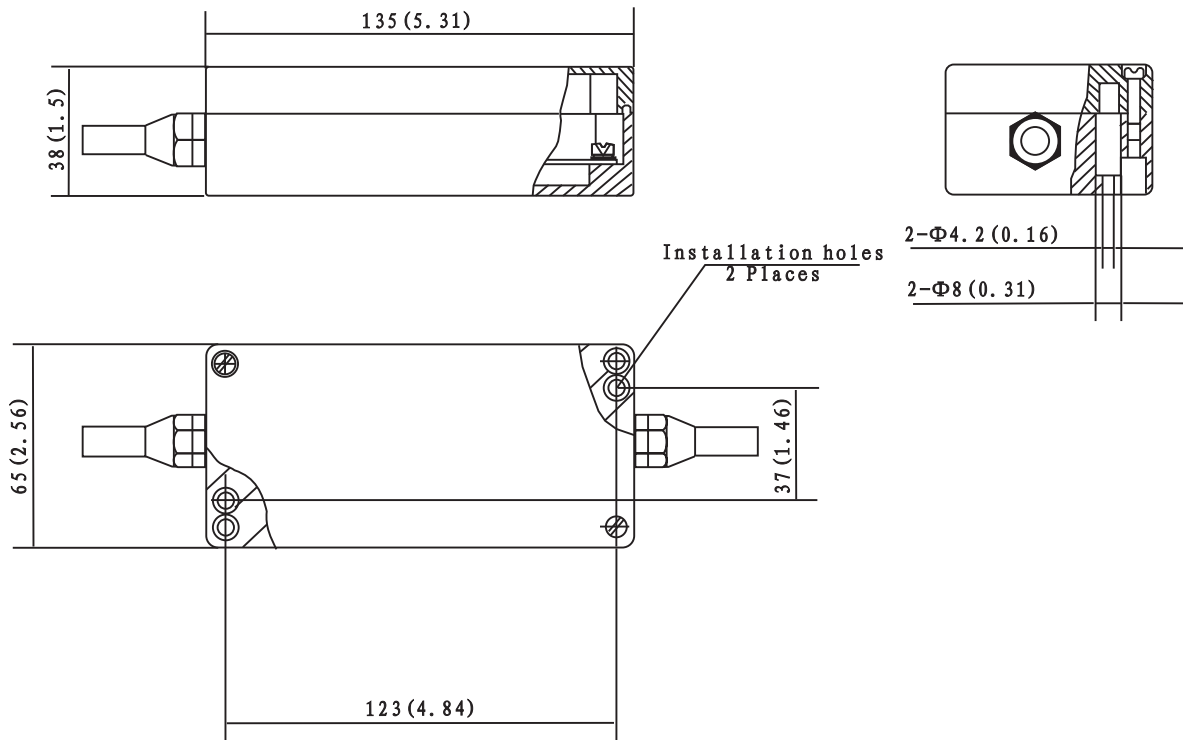
- Supply voltage: DC 12V, 15V, 24V
- Output: 4-20mA (or 0-10mA, 0-20mA)
- Load resistance: $\geq 500\Omega$ (24V/h)
- Accuracy: better than 0.1%F.S.
- Operating temperature: -20°C - $+85^{\circ}\text{C}$

Specifications (Voltage Output):

- Supply Voltage: DC 12V, 15V, 24V
- Output: 0-5VDC (or 1-5VDC, 0-10VDC, 0- ± 5 VDC)
- Accuracy: better than 0.02%F.S.
- Load Resistance $\geq 500\Omega$
- Operating Temperature: -20°C - $+85^{\circ}\text{C}$



Outline Dimensions mm (inch)



Part Number	Capacity	Ship Weight	Price
FD-3	Transmitter single connection	2 lb	\$425



FD-4

Features:

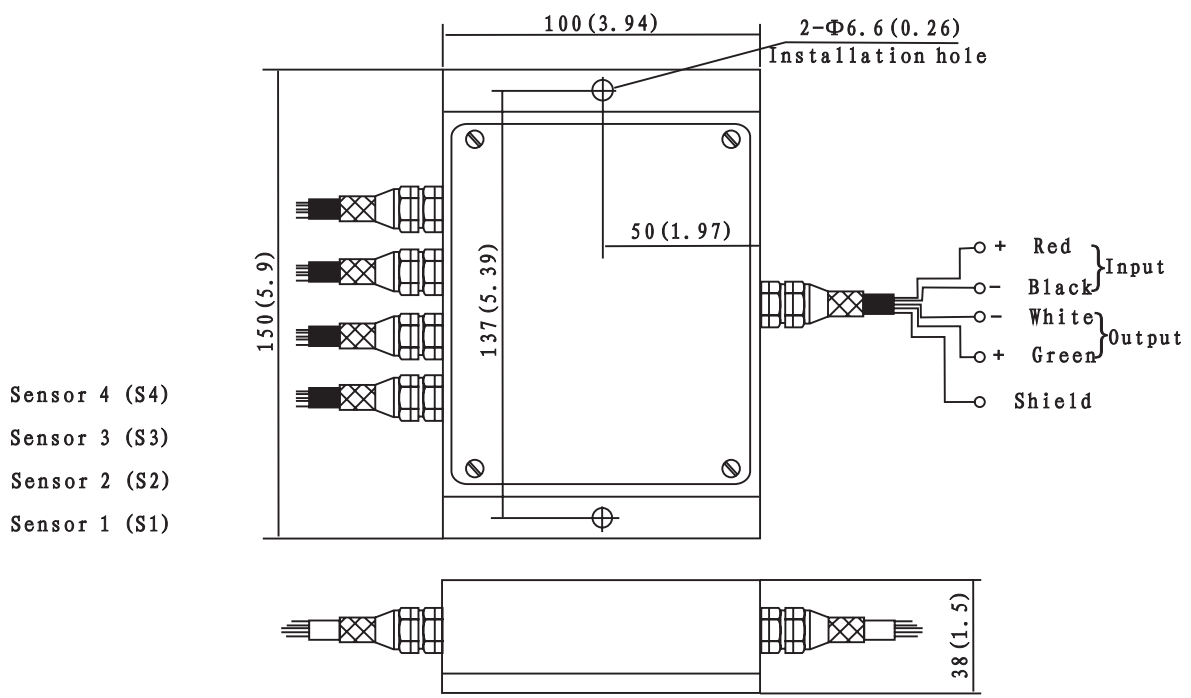
- Connection for 2 to 4 load cells
- Voltage counter-connection protection
- Easy to assemble and calibrate, high reliability
- Excellent water-proof ability
- Voltage or current output signal

Specifications:

- Supply Voltage: DC 12V, 15V, 24V
- Output: 0-10mA 4-20mA
0-5VDC 1-5VDC
- Accuracy: better than 0.1%F.S.
- Load Resistance $\leq 350\Omega$ (current output)
 $\geq 500\Omega$ (voltage output)
- Operating Temperature: -20°C - $+85^{\circ}\text{C}$
- Protection Class: IP65



Outline Dimensions mm (inch)



Part Number	Capacity	Ship Weight	Price
FD-4	Transmitter 2 to 4 connection	2 lb	\$545



FD-5

Features:

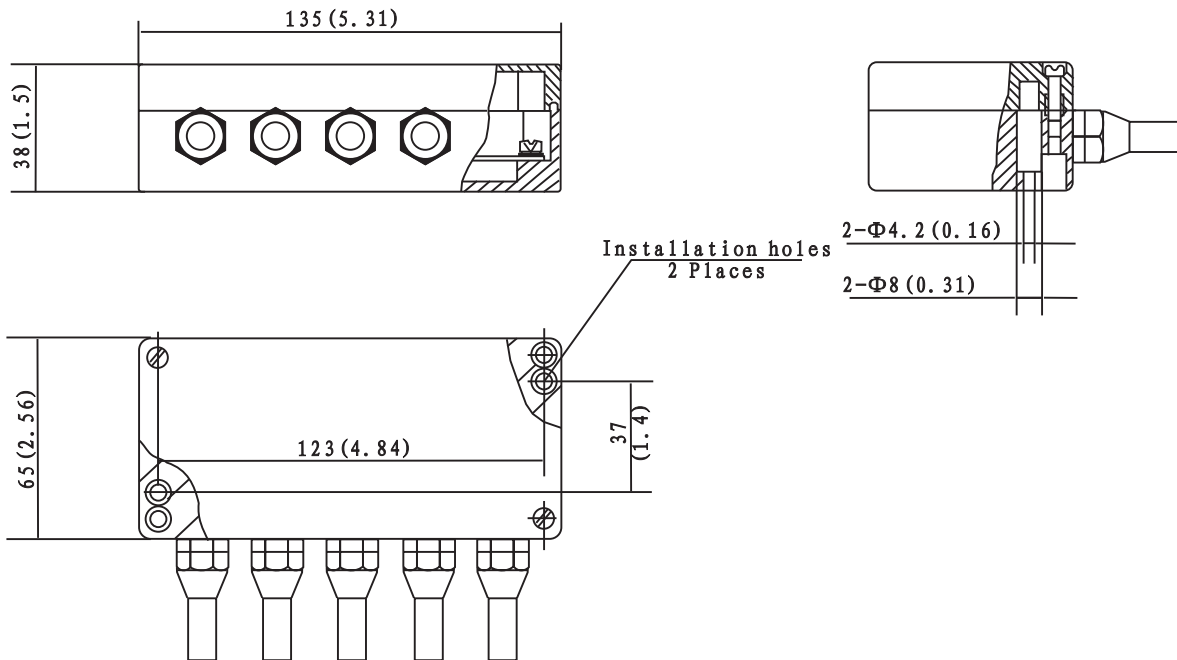
- Connection for 2 to 4 load cells
- Surge protection
- Voltage counter-connection protection
- Voltage or current output signal
- Terminal tabs connection
- The installation holes on the cover making it easily to be fixed on the platform

Specifications:

- Supply Voltage: DC 15V
- Output: 0-10mA 4-20mA
0-5VDC 1-5VDC
- Accuracy: better than 0.1%F.S.
- Load Resistance $\leq 500\Omega$ (current output)
 $\geq 500\Omega$ (voltage output)
- Operating Temperature: -20°C - $+85^{\circ}\text{C}$
- Protection Class: IP65



Outline Dimensions mm (inch)



Part Number	Capacity	Ship Weight	Price
FD-5	Transmitter 2 to 4 connection with surge	2 lb	\$475



Notes

A series of 20 horizontal black lines providing space for notes.



L15B

Features:

- Light in weight, easy to carry
- Integral flat plate construction, high frequency in dynamic response
- Adopted special material in aero-industry with good anti-overload ability
- Applied special treatment, high protection class
- Rubber handles are not easy to be damaged by wheels
- Completed with rubber ramps, easy for loading on/off of the pads

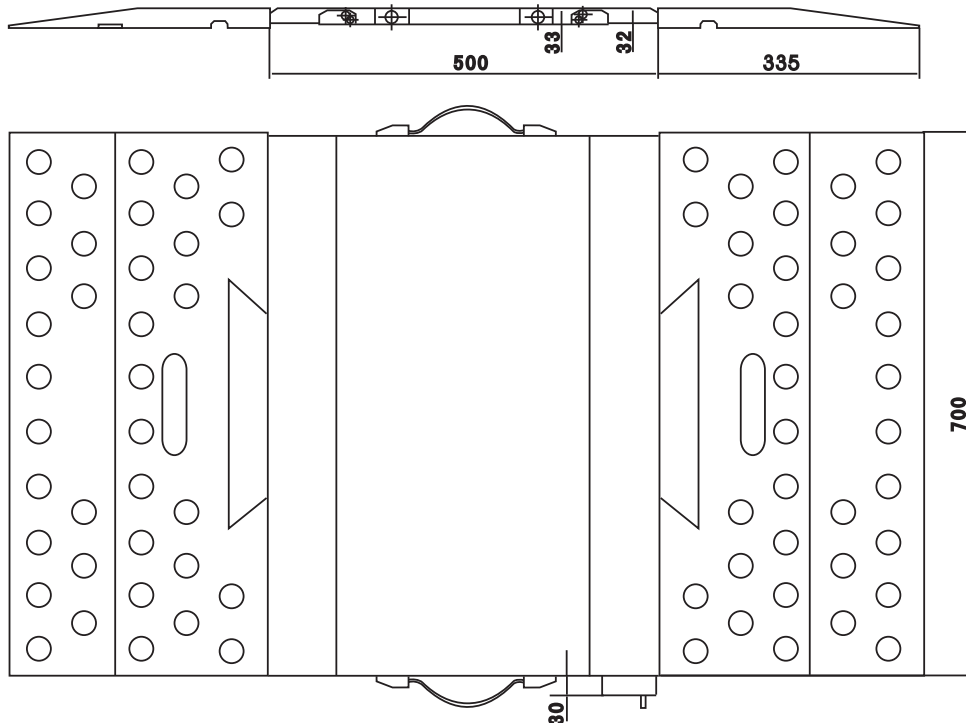
Applications:

- Weighing and load control for transportation purpose
- Weighing airplanes and inspecting the centre of gravity
- Measuring weight for special purpose



Specifications			
Output Sensitivity	0.9±0.1	Temperature, Compensated (°C)	-10~+50
Combined Error (%ld)	0.5	Temperature, Operating (°C)	-40~+80
Non-linearity (%ld)	0.5	Excitation, Recommended (V)	9-15DC
Repeatability (%F.S.)	0.1	Excitation, Maximum (V)	20DC
Horizontal Consistency (%ld)	0.5	Safe Overload (%F.S.)	120
Input Resistance (Ω)	3120±40	Protection Class	IP66
Output Resistance (Ω)	2800±10	Cable	4-Wire Shielded
Insulation Resistance (MΩ)	≥5000(100VDC)	Minimum Static Load (kg)	500
Zero Balance (%F.S.)	4%~10%	Maximum Load for Single Point (t)	10t
Temperature Effect on Sensitivity (%F.S./10°C)	0.1	Rated Capacity (t)	15t
Temperature Effect on Zero (%F.S./10°C)	0.1		
Connections: Red Input (t) Black Input (-) Green Output (t) White Output (-)			

Outline Dimensions mm (inch)



Part Number	Capacity	Ship Weight	Price
L15B	15t / 33,000 lb: 10 m / 33 ft cable 1170 mm (L) x 700 mm (W) x 33 mm (H) 46" L x 28" W x 1" H	110 lb	\$6,140

Calibration	
Qty	Net USD Calibration Fee
1-2	580 NET
3-4	750 NET

System Calibration Includes:

- Wiring of indicator, j-box and weigh pads
- Cornering of weigh pads if more than one ordered
- Calibration of weigh pads (20% of rated capacity)
- Re-packaging



L15BA

Features:

- Light in weight, easy to carry
- Integral flat plate construction, high frequency in dynamic response
- Adopted special material in aero-industry with good anti-overload ability
- Applied special treatment, high protection class
- Completed with rubber ramps, easy for loading on/off of the pads

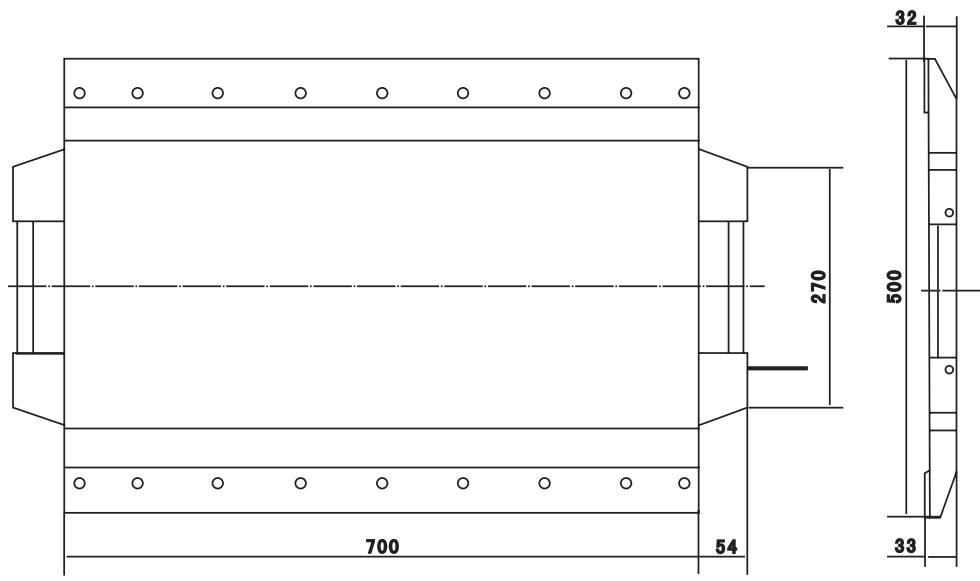
Applications:

- Weighing and load control for transportation purpose
- Weighing airplanes and inspecting the centre of gravity
- Measuring weight for special purpose



Specifications			
Output Sensitivity	1±0.1	Temperature, Compensated (°C)	-10~+50
Combined Error (%ld)	0.5	Temperature, Operating (°C)	-40~+80
Non-linearity (%ld)	0.5	Excitation, Recommended (V)	9-15DC
Repeatability (%F.S.)	0.1	Excitation, Maximum (V)	20DC
Horizontal Consistency (%ld)	0.5	Safe Overload (%F.S.)	120
Input Resistance (Ω)	3120±40	Protection Class	IP66
Output Resistance (Ω)	2800±10	Cable	4-Wire Shielded
Insulation Resistance (MΩ)	≥5000(100VDC)	Minimum Static Load (kg)	500
Zero Balance (%F.S.)	4%~10%	Maximum Load for Single Point (t)	10t
Temperature Effect on Sensitivity (%F.S./10°C)	0.1	Rated Capacity (t)	15t
Temperature Effect on Zero (%F.S./10°C)	0.1		
Connections: Red Input (t) Black Input (-) Green Output (t) White Output (-)			

Outline Dimensions mm (inch)



Weigh Pads

Part Number	Capacity	Ship Weight	Price
L15BA	15t / 33,000 lb: 10 m / 33 ft cable 808 mm (L) x 500 mm (W) x 33 mm (H) 32" L x 20" W x 1" H	66 lb	\$6,140

Calibration	
Qty	Net USD Calibration Fee
1-2	580 NET
3-4	750 NET

- System Calibration Includes:**
- Wiring of indicator, j-box and weigh pads
 - Cornering of weigh pads if more than one ordered
 - Calibration of weigh pads (20% of rated capacity)
 - Re-packaging



L15C

Features:

- Light in weight, easy to carry
- Integral flat plate construction, high frequency in dynamic response
- Adopted special material in aero-industry with good anti-overload ability
- Applied special treatment, high protection class
- Rubber handles are not easy to be damaged by wheels
- Provided with spring tube, protecting the cables from being crushed
- Mounted with connector and protection block, easy for changing cables
- Completed with rubber ramps, easy for loading on/off of the pads

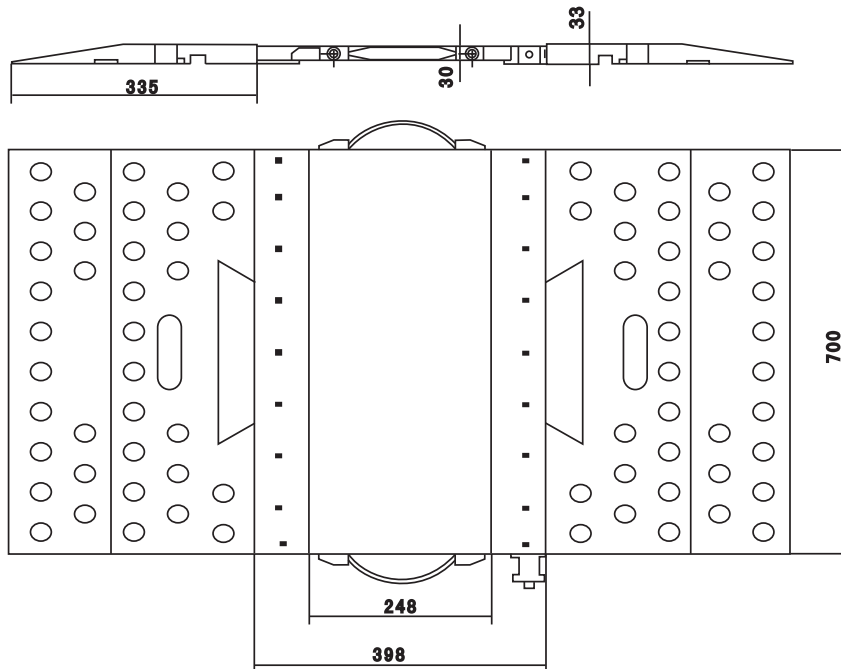


Applications:

- Weighing and load control for transportation purpose
- Weighing airplanes and inspecting the centre of gravity
- Measuring weight for special purpose

Specifications			
Output Sensitivity	1±0.2	Temperature, Compensated (°C)	-10~+50
Combined Error (%ld)	0.2	Temperature, Operating (°C)	-40~+80
Non-linearity (%ld)	0.2	Excitation, Recommended (V)	9-15DC
Repeatability (%F.S.)	0.1	Excitation, Maximum (V)	20DC
Horizontal Consistency (%ld)	0.2	Safe Overload (%F.S.)	120
Input Resistance (Ω)	3120±40	Protection Class	IP66
Output Resistance (Ω)	2800±10	Cable	4-Wire Shielded
Insulation Resistance (MΩ)	≥5000(100VDC)	Minimum Static Load (kg)	500
Zero Balance (%F.S.)	4%~10%	Maximum Load for Single Point (t)	10t
Temperature Effect on Sensitivity (%F.S./10°C)	0.1	Rated Capacity (t)	15t
Temperature Effect on Zero (%F.S./10°C)	0.1		
Connections: Red Input (+) Black Input (-) Green Output (+) White Output (-)			

Outline Dimensions mm (inch)



Part Number	Capacity	Ship Weight	Price
L15C	15t / 33,000 lb: 10 m / 33 ft cable 1068 mm (L) x 700 mm (W) x 33 mm (H) 42" L x 28" W x 1" H	71 lb	\$5,965

Calibration	
Qty	Net USD Calibration Fee
1-2	580 NET
3-4	750 NET

System Calibration Includes:

- Wiring of indicator, j-box and weigh pads
- Cornering of weigh pads if more than one ordered
- Calibration of weigh pads (20% of rated capacity)
- Re-packaging



L15K

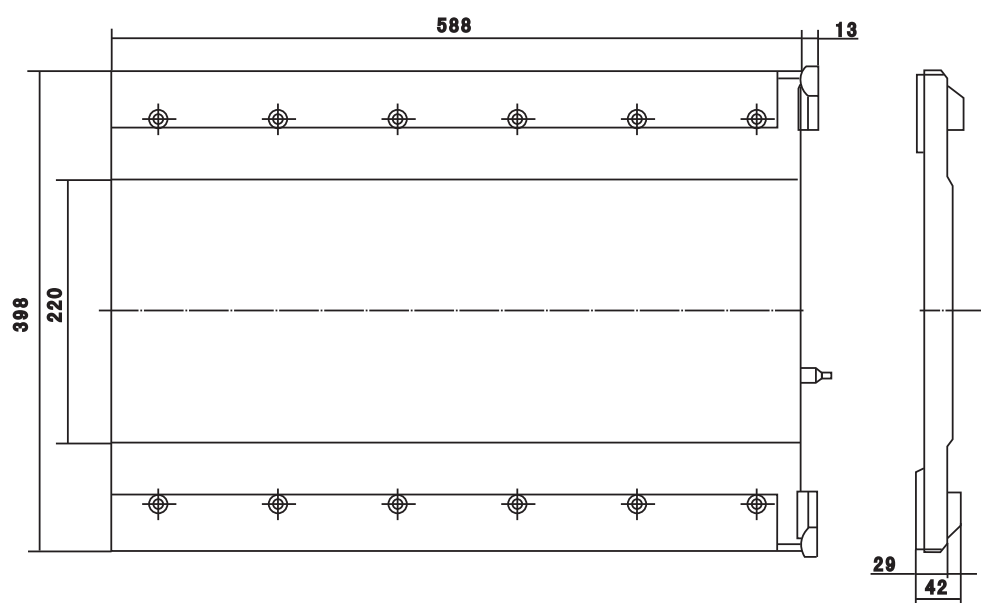
- Features:**
- Light in weight, easy to carry
 - Integral flat plate construction, high frequency in dynamic response
 - Adopted special material in aero-industry with good anti-overload ability
 - Completed with rubber ramps, easy for loading on/off of the pads
 - Mounted with connector, easy for connecting of other devices

- Applications:**
- Weighing and load control for transportation purpose
 - Weighing airplanes and inspecting the centre of gravity
 - Measuring weight for special purpose



Specifications			
Output Sensitivity	1±0.1	Temperature, Compensated (°C)	-10~+50
Combined Error (%ld)	0.5	Temperature, Operating (°C)	-40~+80
Non-linearity (%ld)	0.5	Excitation, Recommended (V)	9-15DC
Repeatability (%F.S.)	0.1	Excitation, Maximum (V)	20DC
Horizontal Consistency (%ld)	0.5	Safe Overload (%F.S.)	120
Input Resistance (Ω)	2120±50	Protection Class	IP66
Output Resistance (Ω)	2100±10	Cable	4-Wire Shielded
Insulation Resistance (MΩ)	≥5000(100VDC)	Minimum Static Load (kg)	500
Zero Balance (%F.S.)	4%~10%	Maximum Load for Single Point (t)	10t
Temperature Effect on Sensitivity (%F.S./10°C)	0.1	Rated Capacity (t)	15t
Temperature Effect on Zero (%F.S./10°C)	0.1		
Connections: Red Input (+) Black Input (-) Green Output (+) White Output (-)			

Outline Dimensions mm (inch)



Weigh Pads

Part Number	Capacity	Ship Weight	Price
L15K	10t / 20,000 lb: 10 m / 33 ft cable 601 mm (L) x 398 mm (W) x 42 mm (H) 24" L x 16" W x 2" H	66 lb	\$4,870

Calibration	
Qty	Net USD Calibration Fee
1-2	580 NET
3-4	750 NET

- System Calibration Includes:**
- Wiring of indicator, j-box and weigh pads
 - Cornering of weigh pads if more than one ordered
 - Calibration of weigh pads (20% of rated capacity)
 - Re-packaging



Wiring Guide									
Manufacturer	Models	Excitation +	Excitation -	Signal +	Signal -	Shield	Sense +	Sense -	
A&D Engineering		RED	WHITE	GREEN	BLUE	YELLOW			
Allegany Technology		GREEN	BLACK	RED	WHITE	BARE			
Advance Transducers		RED	BLACK	GREEN	WHITE	BARE			
Allegany		GREEN	BLACK	WHITE	RED	BARE			
Alphatron		RED	BLACK	GREEN	WHITE	BARE			
Anyload		RED	BLACK	GREEN	WHITE	BARE			
Artech	108LSMT	GREEN	BLACK	RED	WHITE	BARE	BLUE	BROWN	
Artech		RED	BLACK	GREEN	WHITE	BARE			
Avery Weigh-Tronix		GREEN	BLACK	WHITE	RED	WHITE/ORANGE			
Beowulf		GREEN	BLACK	WHITE	RED	BARE			
BLH		GREEN	BLACK	WHITE	RED	YELLOW			
Cas		RED	BLACK	GREEN	WHITE	BARE	BLUE	BROWN	
Celtron		RED	BLACK	GREEN	WHITE	BARE			
Cardinal		GREEN	BLACK	WHITE	RED	BARE			
CNCell		RED	BLACK	GREEN	WHITE	BARE			
Coti		GREEN	BLACK	WHITE	RED	BARE			
Digi		RED	WHITE	GREEN	YELLOW	GRAY			
Dillon	CANISTER TENSION	RED	BLACK	GREEN	WHITE	ORANGE			
Dillon	COMPRESSION	RED	BLACK	WHITE	GREEN	ORANGE			
Dillon	Z-CELL	RED	BLACK	WHITE	GREEN	ORANGE			
Electroscale		RED	BLACK	GREEN	WHITE	BARE			
Epelsa		RED	BLACK	GREEN	WHITE	BARE	VIOLET	GRAY	
Evergreen		GREEN	BLACK	WHITE	RED	BARE			
Flintec	PC1,PC2,PC6,RC1,SB4,SB5,SB6,SB14,SLB,UB1,UB6,SB10, PCB,BK2	GREEN	BLACK	WHITE	RED	YELLOW			
Force Measurement		RED	BLACK	GREEN	WHITE	BARE			
General Sensor		RED	BLACK	GREEN	WHITE	BARE			
Genisco		RED	BLACK	GREEN	WHITE	BARE			
GSE		RED	BLACK	WHITE	GREEN	BARE			
HBM	SBF,SB3,USB1T,Z6, H35	GREEN	BLACK	WHITE	RED	YELLOW			
HBM	BLC,BLF,JRT,PWS,RSC	GREEN	BLACK	WHITE	RED	YELLOW			
HBM	PLC,B35, SBE	RED	BLACK	GREEN	WHITE	YELLOW			
HBM	BBS	GREEN	BLACK	WHITE	RED	BARE			
HBM	SP4, SP10,PW15,PWS,PWSM	GREEN	BLACK	WHITE	RED	YELLOW	ORANGE	BLUE	
HBM	PW12,PW16,C16,PW15AH	BLUE	BLACK	WHITE	RED	YELLOW	GREEN	GRAY	
Interface	SSM,1200,3200	RED	BLACK	GREEN	WHITE	BARE			
Kubota		RED	WHITE	GREEN	BLUE	YELLOW			
LeBow		RED	BLACK	GREEN	WHITE	BARE			
Mettler Toledo		WHITE	BLUE	GREEN	BLACK	ORANGE	YELLOW	RED	
National Scale		GREEN	BLACK	WHITE	RED	YELLOW			
Nikkei		RED	BLACK	GREEN	WHITE	BARE			
NCI		RED	BLACK	WHITE	GREEN	BARE	YELLOW	BLUE	
NMB		RED	WHITE	GREEN	BLUE	BARE			
Ormond		RED	BLACK	GREEN	WHITE	BARE			
Pennsylvania		ORANGE	BLUE	GREEN	WHITE	BARE			
Pesage Promotion		BLUE	WHITE	RED	BLACK	YELLOW			
Philips		RED	BLUE	GREEN	GRAY	BARE			
Revere Transducers	62HU,63HU,363,953,9523	RED	BLACK	GREEN	WHITE	BARE			
Revere Transducers	92CC,93CC,24U,43U,263D,462,6762, 9102, 9103, 9123,9363,5102,5103, 5123, 5223, 5723, 9363	RED	BLACK	GREEN	WHITE	ORANGE			
Revere Transducers	392B,642,652,692B2,BSP,HPS, USP1	GREEN	BLACK	WHITE	RED	BARE			
Revere Transducers	792, 933, SHB, SSB	GREEN	BLACK	WHITE	RED	CLEAR			
Revere Transducers	CP1,CSP1	GREEN	BLACK	WHITE	RED	ORANGE			
Rice Lake Weighing	RLC	PINK	GRAY	BROWN	WHITE	BARE			
Rice Lake Weighing	RL20000,RL20000SS,RL20001HE,RL30000,RL75061,RL50500, RL70000SS,RL71000HE,RL75016HE	RED	BLACK	GREEN	WHITE	BARE			
Rice Lake Weighing	RL35023,RL35023S,RL35082,RL35083,RL39123,RL75223,RL90000,RL5ETB, RLETS,RLHSS,RLMK4	RED	BLACK	GREEN	WHITE	BARE			
Rice Lake Weighing	RL39523,RL50210,RL56044,RL70000,RL75016,RL75016SS,RL75040A, RL75058,RL75060	RED	BLACK	GREEN	WHITE	BARE			
Rice Lake Weighing	RLMK1	RED	BLACK	WHITE	GREEN	ORANGE	YELLOW	BLUE	
Rice Lake Weighing	RLMK15,RLMK21	RED	BLACK	GREEN	WHITE	ORANGE			
Rice Lake Weighing	RL1521A	GREEN	BLACK	RED	WHITE	BARE			
Rice Lake Weighing	RL40BBS,RLBLC,RLSB2,RLSB2L,RLSB2M,RLSB250,RLSSB,RLKIS, RL9000TWM,RL75114,RLSCA,RLBLP,RLSB2MLW	GREEN	BLACK	WHITE	RED	BARE			
Rice Lake Weighing	RL8C2P1SS,RLCSP1,RL75000SS,RL30745	GREEN	BLACK	WHITE	RED	ORANGE			
Rice Lake Weighing	RL1380,RL1385,RLH35,RL30745,RLPC6	GREEN	BLACK	WHITE	RED	YELLOW			
Rice Lake Weighing	RLPCB-60	GREEN	BLACK	WHITE	RED	YELLOW	BLUE	BROWN	
Rice Lake Weighing	RL1010,RL1040,RL1140,RL1250,RL1260	GREEN	BLACK	RED	WHITE	BARE	BLUE	BROWN	
Rice Lake Weighing	RLHBB,RLHTO	BLUE	BLACK	WHITE	RED	BARE	GREEN	GRAY	
Rice Lake Weighing	RL32155	WHITE	BLUE	GREEN	BLACK	ORANGE	YELLOW	RED	
Scalme		BROWN	GREEN	YELLOW	BLACK	WHITE	GRAY	PINK	
Sensortronics		RED	BLACK	GREEN	WHITE	BARE			
Sensotec		RED	BLACK	WHITE	GREEN	BARE			
Strainsert		RED	BLACK	GREEN	WHITE	BARE			
T-Hydronics		RED	BLACK	GREEN	WHITE	BARE			
Tedea Huntleigh		GREEN	BLACK	RED	WHITE	BARE	BLUE	BROWN	
Thames Side		RED	BLUE	GREEN	YELLOW	BARE			
Toledo		GREEN	BLACK	WHITE	RED	YELLOW			
Totalcomp		RED	BLACK	GREEN	WHITE	BARE			
Transducers Inc.		RED	BLACK	GREEN	WHITE	ORANGE			
Transcell		RED	BLACK	GREEN	WHITE	BARE			
Vishay BLH	C2P1,C3P1,T2P1,T3P1	GREEN	BLACK	WHITE	RED	YELLOW			
Vishay Celtron	PSD,SEB,LCD,CSB,DSR,LOC,SQB,STC,STCSS,DSR,CLB,HED,DLB,SQB,HSS	RED	BLACK	GREEN	WHITE	BARE			
Vishay Celtron	LPS	RED	BLUE	GREEN	WHITE	BARE			
Vishay Celtron	HOC,MOC	GREEN	BLACK	RED	WHITE	BARE	BLUE	BROWN	
Vishay Sensortronics	60001,60008,60018,60030,60036,60040,60048,60048SS,60050,60051,60060, 60060-101,60063,65007,65016,65016SS	RED	BLACK	GREEN	WHITE	BARE			
Vishay Sensortronics	65016W,65023,65023S,65023SS,65024,65040A,65040S, 65058S,65061A,65083,65083S,65114	RED	BLACK	GREEN	WHITE	BARE			
Vishay Sensortronics	6007, 60064	GREEN	BLACK	WHITE	RED	BARE			
Vishay Sensortronics	65088-1000,65088-1114	GREEN	BLACK	WHITE	RED	ORANGE			
Vishay Tedea-huntleigh	4157, 4158	RED	BLACK	GREEN	WHITE	BARE			
Vishay Tedea-huntleigh	3411, 3421	RED	BLACK	GREEN	WHITE	BARE	BLUE	BROWN	
Vishay Tedea-huntleigh	240, 1010, 1022, 1040, 1140, 1250, 1260, 1320,9010, 605, 1030, 1240, 1241, 1030,9010, 1030,1320,1510	GREEN	BLACK	RED	WHITE	BARE	BLUE	BROWN	
Vishay Tedea-huntleigh	355, 620, 3510	BLUE	BLACK	WHITE	RED	BARE	GREEN	GRAY	

Standard Scale & Supply Company
25421 Glendale Avenue
Redford, MI 48239
313-255-6700 phone
313-255-6799 fax
dawright@standardscale.com
www.standardscale.com

 **Brecknell**

Brecknell USA

1000 Armstrong Drive
Fairmont, Minnesota 56031

Brecknell UK

Foundry Lane
Smethwick, West Midlands
England B66 2LP

Brecknell Canada

217 Brunswick Boulevard
Pointe-Claire, Quebec
Canada H9R 4R7

Avery India Limited

Plot No 50-59, Sector 25
Ballabgarh (Haryana) 121 004



Brecknell is part of Avery Weigh-Tronix. Avery Weigh-Tronix is a trademark of the Illinois Tool Works group of companies whose ultimate parent company is Illinois Tool Works Inc ("Illinois Tool Works"). Copyright © 2013 Illinois Tool Works. All rights reserved. This publication is issued to provide outline information only and may not be regarded as a representation relating to the products or services concerned. This publication was correct at the time of going to print, however Avery Weigh-Tronix reserves the right to alter without notice the specification, design, price or conditions of supply of any product or service at any time.